



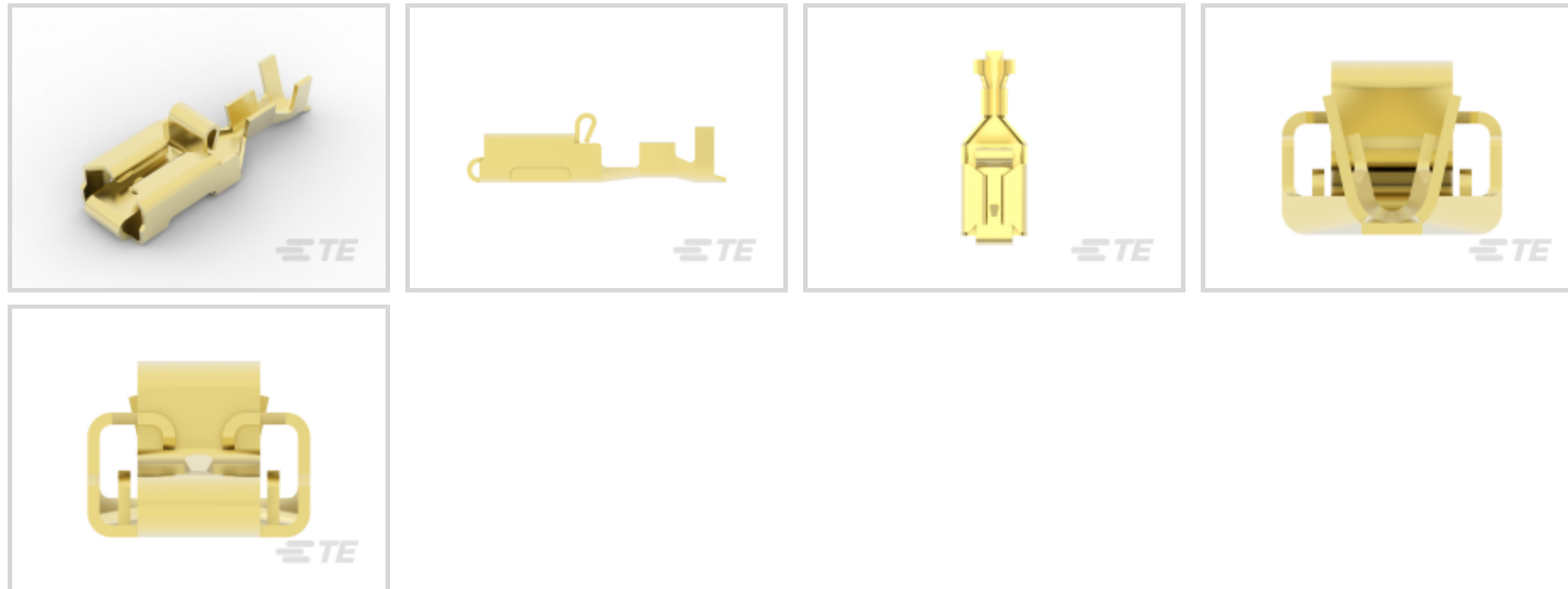
Positive Lock | Mark I, Positive Lock 250

TE Internal #: 880646-1

Quick Disconnects, Receptacle, 20 – 17 AWG Wire Size, .51 – 1.03 mm² Wire Size, Mating Tab Width 6.35 mm [.25 in], Straight, Brass, Positive Lock 250

[View on TE.com >](#)

Terminals & Splices > Quick Disconnects



Quick Disconnect Terminal Type: **Receptacle**

Wire Size: .51 – 1.03 mm²

Mating Tab Width: 6.35 mm [.25 in]

Mating Tab Thickness: .81 mm [.032 in]

Features

Product Type Features

Insertion Force	Low
-----------------	-----

Configuration Features

Compatible With Wire & Cable Type	Discrete Wire
-----------------------------------	---------------

Contact Features

Quick Disconnect Terminal Type	Receptacle
Mating Tab Width	6.35 mm [.25 in]
Mating Tab Thickness	.81 mm [.032 in]
Terminal Orientation	Straight
Contact Base Material	Brass
Terminal Plating Material	Unplated
Crimp Type	F-Crimp
Barrel Type	Open

Termination Features

Product Terminates To	Wire & Cable
-----------------------	--------------



Mechanical Attachment

Wire Insulation Support	With
Mating Retention Type	Dimple

Dimensions

Terminal Material Thickness	.41 mm[.016 in]
Product Length	20.7 mm[.815 in]
Compatible Insulation Diameter Range	2.01 – 3.3 mm[.079 – .13 in]
Wire Size	.51 – 1.03 mm ²

Usage Conditions

Insulation Option	Uninsulated
-------------------	-------------

Industry Standards

Agency/Standard	UL
-----------------	----

Packaging Features

Packaging Quantity	1500
Packaging Method	Reel

Product Compliance

[For compliance documentation, visit the product page on TE.com>](#)

EU RoHS Directive 2011/65/EU	Compliant
EU ELV Directive 2000/53/EC	Compliant
China RoHS 2 Directive MIIT Order No 32, 2016	No Restricted Materials Above Threshold
EU REACH Regulation (EC) No. 1907/2006	Current ECHA Candidate List: JUNE 2023 (235) Candidate List Declared Against: JUNE 2022 (224) Does not contain REACH SVHC
Halogen Content	Low Halogen - Br, Cl, F, I < 900 ppm per homogenous material. Also BFR/CFR/PVC Free
Solder Process Capability	Not applicable for solder process capability

Product Compliance Disclaimer

This information is provided based on reasonable inquiry of our suppliers and represents our current actual knowledge based on the information they provided. This information is subject to change. The part numbers that TE has identified as EU RoHS compliant have a maximum concentration of 0.1% by weight in homogenous materials for lead, hexavalent chromium, mercury, PBB, PBDE, DBP, BBP, DEHP, DIBP, and 0.01% for cadmium, or qualify for an exemption to these limits as defined in the Annexes of Directive 2011/65/EU (RoHS2). Finished electrical and electronic equipment products will be CE marked as required by Directive 2011/65/EU. Components may not be CE marked. Additionally, the part

numbers that TE has identified as EU ELV compliant have a maximum concentration of 0.1% by weight in homogenous materials for lead, hexavalent chromium, and mercury, and 0.01% for cadmium, or qualify for an exemption to these limits as defined in the Annexes of Directive 2000/53/EC (ELV). Regarding the REACH Regulation, the information TE provides on SVHC in articles for this part number is based on the latest European Chemicals Agency (ECHA) 'Guidance on requirements for substances in articles' posted at this URL: <https://echa.europa.eu/guidance-documents/guidance-on-reach>

Compatible Parts

TE Part # 2305570-1
Strip Terminal Cutter-Side Feed-No Crimp

TE Part # 1380088-1
PL MKIII .250 REC 0.5-1.0MM2

TE Part # 1855664-1
HDM/FA SAPR.080F.140F LM CUT

TE Part # 1855664-2
HDM/FA SAPR.080F.140F BENCH K CUT

TE Part # 1855664-3
HDM/FA SAPR.080F.140F BENCH G CUT

TE Part # 1855664-6
HDM/FA SAPR.080F.140F LM CONT

TE Part # 2151553-2
OCEAN_2.0_Applicator-S-080F140F

TE Part # 7-2151553-2
OCEAN_2.0_Applicator-S-080F140F

KIT
TE Part # 7-2151553-7
OCEAN_2.0_SPARE_PART_KIT-080F140F

TE Part # 2-2151553-2
OCEAN_2.0_Applicator-S-080F140F-A

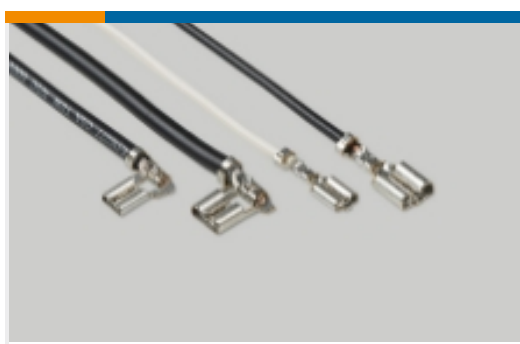
Also in the Series | Mark I

Automotive Housings(3)

Automotive Terminals(11)

Crimp Terminal Housings(24)

Insertion & Extraction Tools(1)



Quick Disconnects(29)

Also in the Series | Positive Lock 250



Automotive Terminals(1)



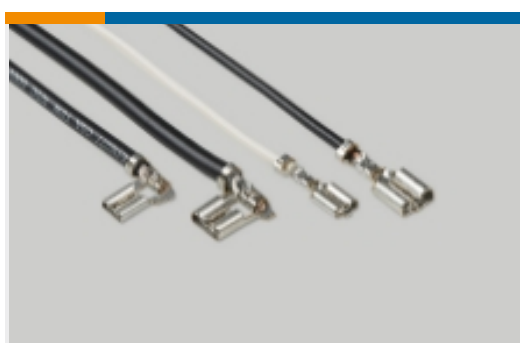
Crimp Terminal Housings(193)



Insertion & Extraction Tools(3)

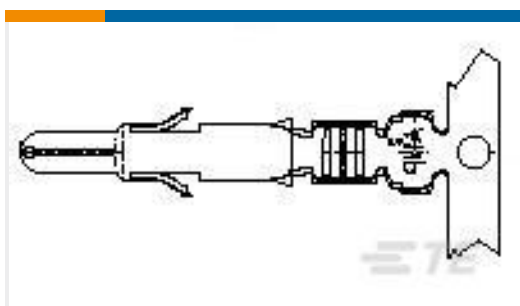


Insulation Boots & Sleeves(4)

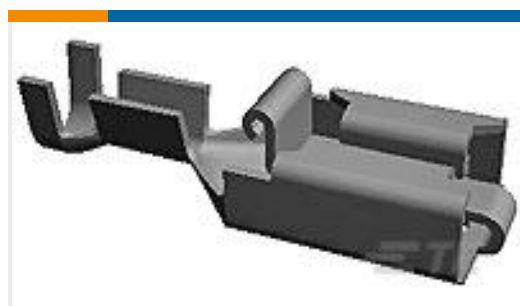


Quick Disconnects(186)

Customers Also Bought



TE Part #881109-1
U-M-N-L SPLIT PIN



TE Part #880645-1
PL REC 1.0-2.5 MM2 0.40 X 52.32 BR



TE Part #626581-1
PL 250 REC 0.5-1.5 MM2 0.35X 26.54 BR



TE Part #1-2133341-1
PL MK1 RECEPTACLE NATURAL 6.6 PA



TE Part #1-2133394-1
187 FASTON HSG., REC., 1 POS, NATURAL



TE Part #2232900-6
ECONOMY POWER TPA RETAINER



Documents

Product Drawings

[PL REC 0.5-1.0MM2 0.40 X 52.32 BR](#)

English

CAD Files

[3D PDF](#)

3D

Customer View Model

[ENG_CVM_CVM_880646-1_E1.2d_dxf.zip](#)

English

Customer View Model

[ENG_CVM_CVM_880646-1_E1.3d_igs.zip](#)

English

Customer View Model

[ENG_CVM_CVM_880646-1_E1.3d_stp.zip](#)

English

By downloading the CAD file I accept and agree to the [Terms and Conditions](#) of use.

Product Specifications

[Application Specification](#)

English