



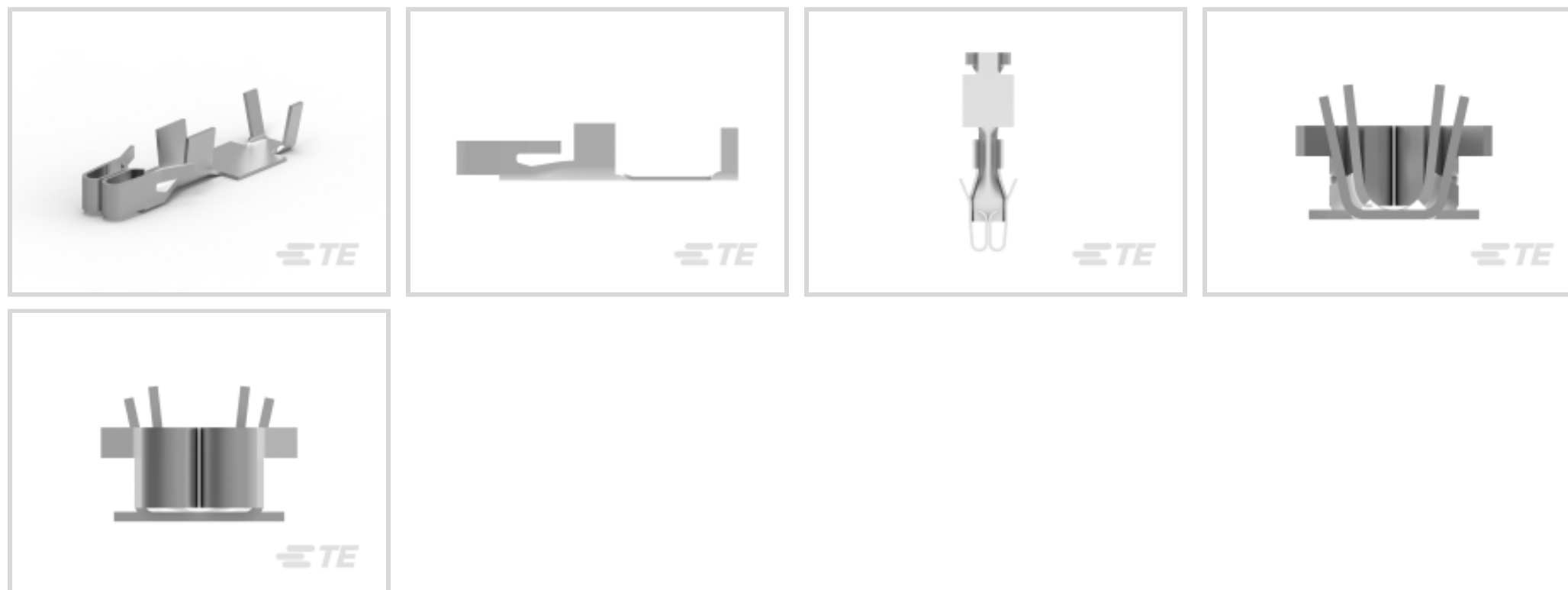
AMP

TE Internal #: 880548-2

Busbars & Terminals, 2 – 5 mm² Wire Size, 13 – 10 AWG Wire Size, .43 in [11 mm] Centerline, Wire & Cable, Power, -30 – 90 °C [-22 – 194 °F]

[View on TE.com >](#)

Connectors > Automotive Connectors > Power Distribution Boxes > Busbars & Terminals



Wire Size Search: 10 AWG, 11 AWG, 12 AWG, 13 AWG

Wire Size: 13 – 10 AWG

Compatible Insulation Diameter Range: 3.3 – 5 mm [.13 – .19 in]

Features

Product Type Features

Primary Locking Feature	Locking Lance
Connector & Contact Terminates To	Wire & Cable

Contact Features

Interface Plating	Tin (Sn)
Contact Current Rating (Max)	33 A

Termination Features

Termination Method to Wire & Cable	Crimp
------------------------------------	-------

Housing Features

Centerline (Pitch)	11 mm [.43 in]
--------------------	----------------

Dimensions

Wire Size Search	10 AWG, 11 AWG, 12 AWG, 13 AWG
Wire Size	13 – 10 AWG
Compatible Insulation Diameter Range	3.3 – 5 mm [.13 – .19 in]

Usage Conditions

Operating Temperature Range	-30 – 90 °C [-22 – 194 °F]
-----------------------------	----------------------------



Operation/Application

Circuit Application

Power

Other

Terminal Transmits

25 – 40 A (Power)

Product Compliance

For compliance documentation, visit the product page on [TE.com](https://www.te.com)>

EU RoHS Directive 2011/65/EU

Compliant

EU ELV Directive 2000/53/EC

Compliant

China RoHS 2 Directive MIIT Order No 32, 2016

No Restricted Materials Above Threshold

EU REACH Regulation (EC) No. 1907/2006

Current ECHA Candidate List: JUNE 2023 (235)
Candidate List Declared Against: JUNE 2023 (235)
Does not contain REACH SVHC

Halogen Content

Low Halogen - Br, Cl, F, I < 900 ppm per homogenous material. Also BFR/CFR/PVC Free

Solder Process Capability

Not applicable for solder process capability

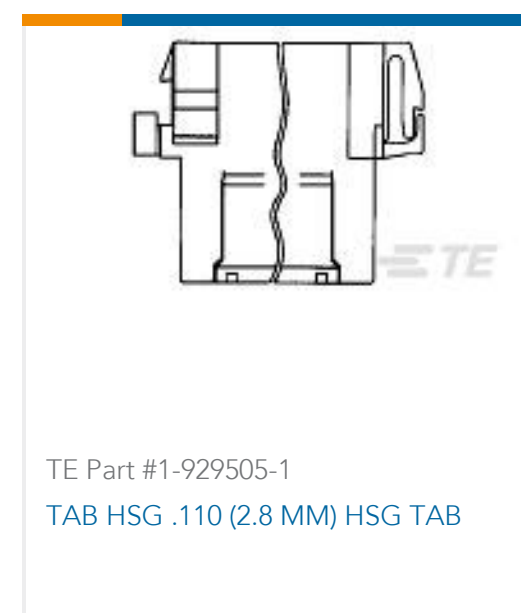
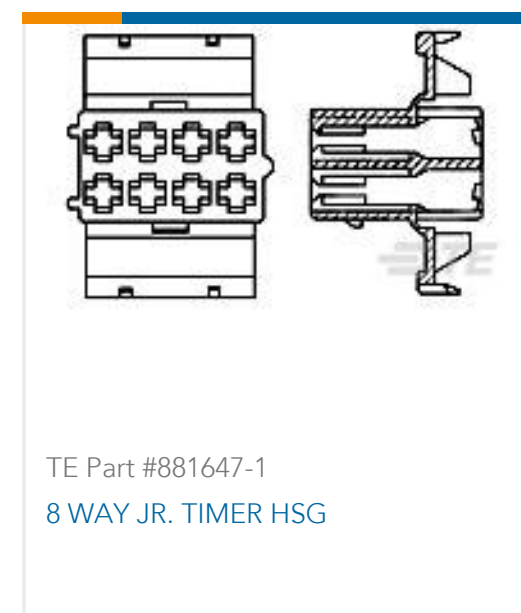
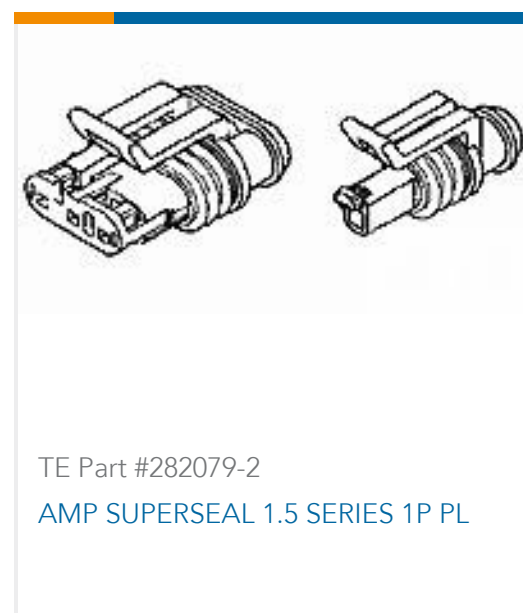
Product Compliance Disclaimer

This information is provided based on reasonable inquiry of our suppliers and represents our current actual knowledge based on the information they provided. This information is subject to change. The part numbers that TE has identified as EU RoHS compliant have a maximum concentration of 0.1% by weight in homogenous materials for lead, hexavalent chromium, mercury, PBB, PBDE, DBP, BBP, DEHP, DIBP, and 0.01% for cadmium, or qualify for an exemption to these limits as defined in the Annexes of Directive 2011/65/EU (RoHS2). Finished electrical and electronic equipment products will be CE marked as required by Directive 2011/65/EU. Components may not be CE marked. Additionally, the part numbers that TE has identified as EU ELV compliant have a maximum concentration of 0.1% by weight in homogenous materials for lead, hexavalent chromium, and mercury, and 0.01% for cadmium, or qualify for an exemption to these limits as defined in the Annexes of Directive 2000/53/EC (ELV). Regarding the REACH Regulation, the information TE provides on SVHC in articles for this part number is based on the latest European Chemicals Agency (ECHA) 'Guidance on requirements for substances in articles' posted at this URL: <https://echa.europa.eu/guidance-documents/guidance-on-reach>

Compatible Parts



Customers Also Bought



Documents

Product Drawings

FUSE CONTACT BUS-BAR

English

CAD Files

3D PDF

3D

Customer View Model

ENG_CVM_CVM_880548-2_C.2d_dxf.zip



English

Customer View Model

[ENG_CVM_CVM_880548-2_C.3d_igs.zip](#)

English

Customer View Model

[ENG_CVM_CVM_880548-2_C.3d_stp.zip](#)

English

By downloading the CAD file I accept and agree to the [Terms and Conditions](#) of use.