

87269-1 ✓ ACTIVE

AMPMODU | AMPMODU LOCKING CLIP

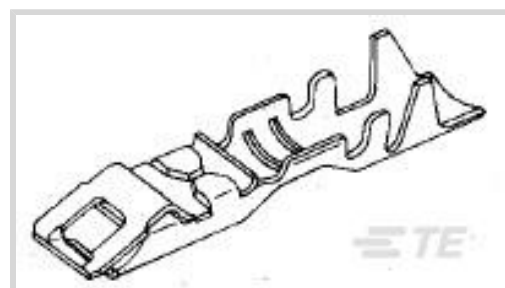
TE Internal #: 87269-1

Connector Contact, Socket, Wire-to-Board, 22 – 18 AWG Wire Size,  
642.4 – 1624 CMA Wire Size, .3 – .9 mm<sup>2</sup> Wire Size, Tin-Lead,  
AMPMODU LOCKING CLIP

[View on TE.com >](#)



Connectors > PCB Connectors > Wire-to-Board Connectors > Wire-to-Board Connector Contacts



Contact Type: **Socket**

Connector System: **Wire-to-Board**

Wire Size: **.3 – .9 mm<sup>2</sup>**

## Features

### Product Type Features

Connector System	Wire-to-Board
Connector & Contact Terminates To	Wire & Cable

### Electrical Characteristics

Termination Resistance	12 mΩ
Insulation Resistance	5000 MΩ
Dielectric Withstanding Voltage (Max)	1200 V
Operating Voltage	250 VAC

### Contact Features

Mating Tab Width	1.57 mm[.062 in]
Mating Tab Thickness	.78 mm[.031 in]
	100 μin
Wire Contact Termination Area Plating Material	Tin-Lead
Contact Underplating Material	Nickel
PCB Contact Termination Area Plating Material	Tin-Lead
Contact Base Material	Phosphor Bronze
Contact Type	Socket
Contact Mating Area Plating Material	Tin-Lead
Contact Current Rating (Max)	5 A

### Termination Features

Termination Method to Wire & Cable	Crimp
------------------------------------	-------



### Mechanical Attachment

Wire Insulation Support	With
-------------------------	------

### Dimensions

Compatible Insulation Diameter Range	1.27 – 2.54 mm [.05 – .1 in]
Wire Size	.3 – .9 mm <sup>2</sup>

### Usage Conditions

Operating Temperature Range	-65 – 105 °C [-85 – 221 °F]
-----------------------------	-----------------------------

### Operation/Application

Circuit Application	Signal
---------------------	--------

### Industry Standards

Approved Standards	CSA LR16455, UL E28476
--------------------	------------------------

### Packaging Features

Packaging Quantity	6000
Packaging Method	Strip

### Other

Connector Contacts Comment	(*) For use with Model "K" machines. Call the Technical Assistance Center (1-800-522-6752) for any tooling questions., These contacts must be crimped per AMP Specification No. 114-25008 in order to function properly in a connector housing.
----------------------------	---

### Product Compliance

For compliance documentation, visit the product page on TE.com>

EU RoHS Directive 2011/65/EU	Not Compliant
EU ELV Directive 2000/53/EC	Compliant with Exemptions
China RoHS 2 Directive MIIT Order No 32, 2016	Restricted Materials Above Threshold
EU REACH Regulation (EC) No. 1907/2006	Current ECHA Candidate List: JUNE 2023 (235) Candidate List Declared Against: JUNE 2023 (235) SVHC > Threshold: Pb (13% in Component Part) <b>Article Safe Usage Statements:</b> Do not eat, drink or smoke when using this product. Wash thoroughly after handling. Recycle if possible and dispose of the article by following all applicable governmental regulations relevant to your geographic location.
Halogen Content	Low Halogen - Br, Cl, F, I < 900 ppm per

homogenous material. Also BFR/CFR/PVC  
Free

Solder Process Capability

Wave solder capable to 265°C

#### Product Compliance Disclaimer

This information is provided based on reasonable inquiry of our suppliers and represents our current actual knowledge based on the information they provided. This information is subject to change. The part numbers that TE has identified as EU RoHS compliant have a maximum concentration of 0.1% by weight in homogenous materials for lead, hexavalent chromium, mercury, PBB, PBDE, DBP, BBP, DEHP, DIBP, and 0.01% for cadmium, or qualify for an exemption to these limits as defined in the Annexes of Directive 2011/65/EU (RoHS2). Finished electrical and electronic equipment products will be CE marked as required by Directive 2011/65/EU. Components may not be CE marked. Additionally, the part numbers that TE has identified as EU ELV compliant have a maximum concentration of 0.1% by weight in homogenous materials for lead, hexavalent chromium, and mercury, and 0.01% for cadmium, or qualify for an exemption to these limits as defined in the Annexes of Directive 2000/53/EC (ELV). Regarding the REACH Regulation, the information TE provides on SVHC in articles for this part number is based on the latest European Chemicals Agency (ECHA) 'Guidance on requirements for substances in articles' posted at this URL: <https://echa.europa.eu/guidance-documents/guidance-on-reach>

## Compatible Parts





TE Part # 2217766-1  
CCII LOCKING CLIP 22-18 ASSY



TE Part # 2836425-1  
OCEAN\_2.0\_Applicator-S-070F1100



TE Part # 2836425-2  
OCEAN\_2.0\_Applicator-S-070F1100A



TE Part # 7-2836425-1  
OCEAN\_2.0\_Applicator-S-070F1100



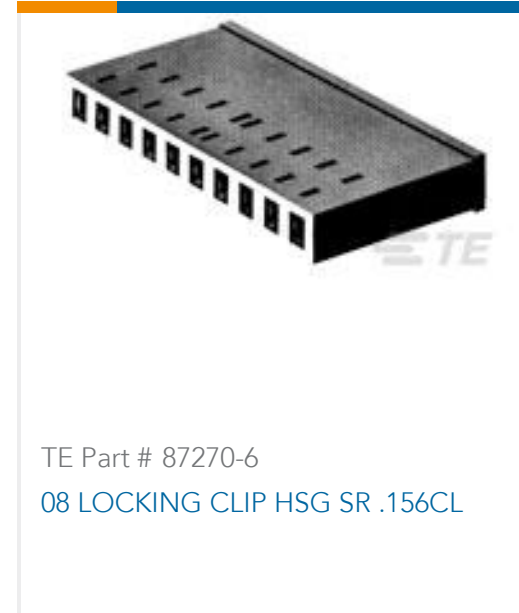
TE Part # 7-2836425-2  
OCEAN\_2.0\_Applicator-S-070F1100A



TE Part # 7-2836425-7  
OCEAN\_2.0\_SPARE\_PART\_KIT-070F1100

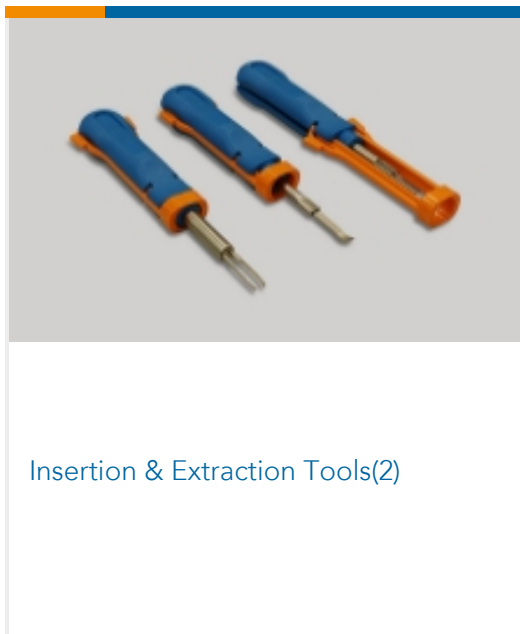


TE Part # 87270-4  
04 LOCKING CLIP HSG SR .156CL



TE Part # 87270-6  
08 LOCKING CLIP HSG SR .156CL

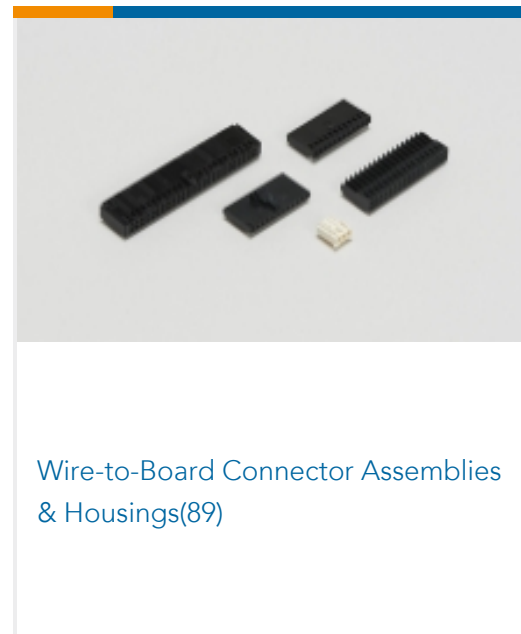
## Also in the Series | AMPMODU LOCKING CLIP



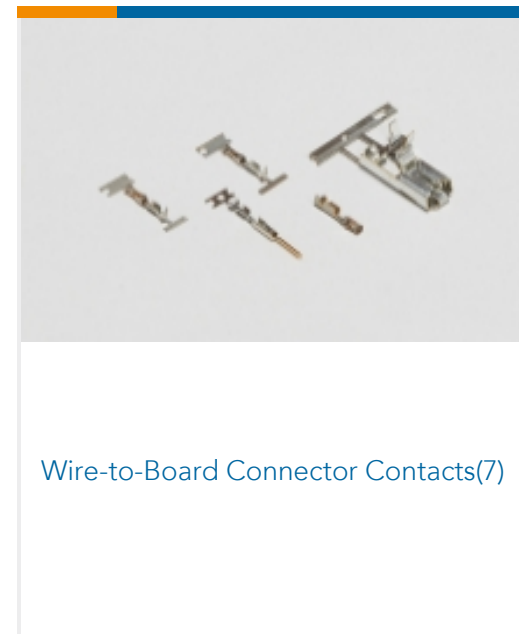
Insertion & Extraction Tools(2)



PCB Connector Keying(1)



Wire-to-Board Connector Assemblies & Housings(89)



Wire-to-Board Connector Contacts(7)

## Customers Also Bought



TE Part #1-1879453-7  
TE 1000W 22R 5% Bracket



TE Part #346027-1  
FASTIN FASTON HOUSING RECEPTACLE



TE Part #175411-1  
110 PL REC. 24-20AWG PTBR



TE Part #690474-4  
SHEAR BLADE



TE Part #456408-9  
CRIMPER WIRE .110 F



TE Part #1-456402-7  
CRIMPER WIRE .055 F



TE Part #1-1338690-1  
ANVIL, COMBINATION .055

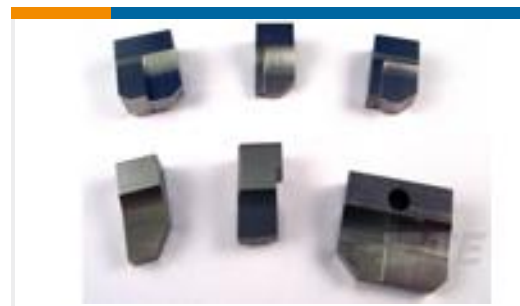


TE Part #3-456402-3  
CRIMP, WIRE (055F X 135THK)





TE Part #6-655621-0  
ISOLATIONSCRIMPER



TE Part #879333-2  
AMBOSS

## Documents

### Product Drawings

[LOCKING CLIP CONT ASSY 31X62](#)

English

### Product Specifications

[Application Specification](#)

English

[Locking Clip Contact .031 X .062](#)

English

### Instruction Sheets

[Instruction Sheet \(U.S.\)](#)

English

[AMPMODU LOCKING CLIP CONTACTS AND CONNECTORS FOR .031 BY .062 POSTS](#)

English