

87179-1 ✓ ACTIVE

AMPMODU | AMPMODU LOCKING CLIP

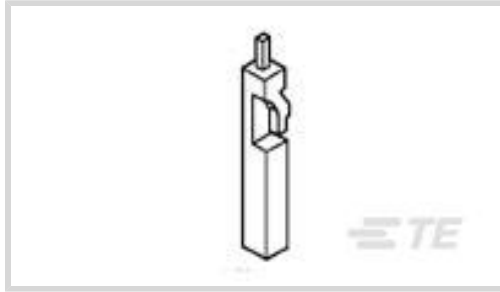
TE Internal #: 87179-1

PCB Connector Keying, Keying Plug, -65 – 105 °C [-85 – 221 °F],  
AMPMODU LOCKING CLIP

[View on TE.com >](#)



Connectors > PCB Connectors > PCB Connector Accessories > PCB Connector Keying



Connector Keying Accessory Type: **Keying Plug**

Operating Temperature Range: **-65 – 105 °C [-85 – 221 °F]**

## Features

### Product Type Features

Connector Keying Accessory Type	Keying Plug
---------------------------------	-------------

### Usage Conditions

Operating Temperature Range	-65 – 105 °C[-85 – 221 °F]
-----------------------------	----------------------------

### Industry Standards

UL Flammability Rating	UL 94V-0
------------------------	----------

### Packaging Features

Packaging Quantity	2000
Packaging Method	Bag

## Product Compliance

[For compliance documentation, visit the product page on TE.com>](#)

EU RoHS Directive 2011/65/EU	Compliant
EU ELV Directive 2000/53/EC	Compliant
China RoHS 2 Directive MIIT Order No 32, 2016	No Restricted Materials Above Threshold
EU REACH Regulation (EC) No. 1907/2006	Current ECHA Candidate List: JUNE 2023 (235) Candidate List Declared Against: JAN 2022 (223) Does not contain REACH SVHC
Halogen Content	Low Halogen - Br, Cl, F, I < 900 ppm per homogenous material. Also BFR/CFR/PVC Free
Solder Process Capability	Not applicable for solder process capability

## Product Compliance Disclaimer

This information is provided based on reasonable inquiry of our suppliers and represents our current actual knowledge based on the information they provided. This information is subject to change. The part numbers that TE has identified as EU RoHS compliant have a maximum concentration of 0.1% by weight in homogenous materials for lead, hexavalent chromium, mercury, PBB, PBDE, DBP, BBP, DEHP, DIBP, and 0.01% for cadmium, or qualify for an exemption to these limits as defined in the Annexes of Directive 2011/65/EU (RoHS2). Finished electrical and electronic equipment products will be CE marked as required by Directive 2011/65/EU. Components may not be CE marked. Additionally, the part numbers that TE has identified as EU ELV compliant have a maximum concentration of 0.1% by weight in homogenous materials for lead, hexavalent chromium, and mercury, and 0.01% for cadmium, or qualify for an exemption to these limits as defined in the Annexes of Directive 2000/53/EC (ELV). Regarding the REACH Regulation, the information TE provides on SVHC in articles for this part number is based on the latest European Chemicals Agency (ECHA) 'Guidance on requirements for substances in articles' posted at this URL: <https://echa.europa.eu/guidance-documents/guidance-on-reach>

## Compatible Parts

 <p>TE Part # 87175-2 01 LOCKING CLIP HSG SR .100CL</p>	 <p>TE Part # 87133-1 04 LOCKING CLIP HSG DR .100CL</p>	 <p>TE Part # 1-87175-0 04 LOCKING CLIP HSG SR .100CL</p>	 <p>TE Part # 1-87175-7 08 LOCKING CLIP HSG SR MRKD</p>
 <p>TE Part # 87133-9 08 LOCKING CLIP HSG DR .100CL</p>	 <p>TE Part # 1-87175-2 05 LOCKING CLIP HSG SR .100CL</p>	 <p>TE Part # 87133-2 10 LOCKING CLIP HSG DR .100CL</p>	 <p>TE Part # 1-87133-1 12 LOCKING CLIP HSG DR .100CL</p>
 <p>TE Part # 1-87175-3 06 LOCKING CLIP HSG SR MRKD</p>	 <p>TE Part # 1-87175-4 06 LOCKING CLIP HSG SR .100CL</p>	 <p>TE Part # 1-87175-6 07 LOCKING CLIP HSG SR .100CL</p>	 <p>TE Part # 1-87175-8 08 LOCKING CLIP HSG SR .100CL</p>




TE Part # 2-87175-2  
10 LOCKING CLIP HSG SR .100CL



TE Part # 2-87175-8  
13 LOCKING CLIP HSG SR .100CL



TE Part # 3-87175-0  
14 LOCKING CLIP HSG SR .100CL



TE Part # 87133-5  
10 LOCKING CLIP HSG DR MRKD



TE Part # 87175-6  
02 LOCKING CLIP HSG SR .100CL



TE Part # 87133-7  
06 LOCKING CLIP HSG DR .100CL




TE Part # 87133-6  
20 LOCKING CLIP HSG DR MRKD



TE Part # 87133-3  
20 LOCKING CLIP HSG DR .100CL


Also in the Series | AMPMODU LOCKING CLIP




Insertion & Extraction Tools(2)



PCB Connector Keying(1)



Wire-to-Board Connector Assemblies & Housings(89)



Wire-to-Board Connector Contacts(7)

Customers Also Bought



TE Part #1-6609113-3  
10CFE1 S0=F7834



TE Part #5-87165-2  
LOCKING CLIP ASSY .025 SQ LP



TE Part #60617-5  
CMNL SOK AUBR L/P



TE Part #62181-1  
187 FASTON REC 24-20 AWG TPBR



TE Part #7-1676481-8  
CPF 0603 12K 0.1% 25PPM 1K RL



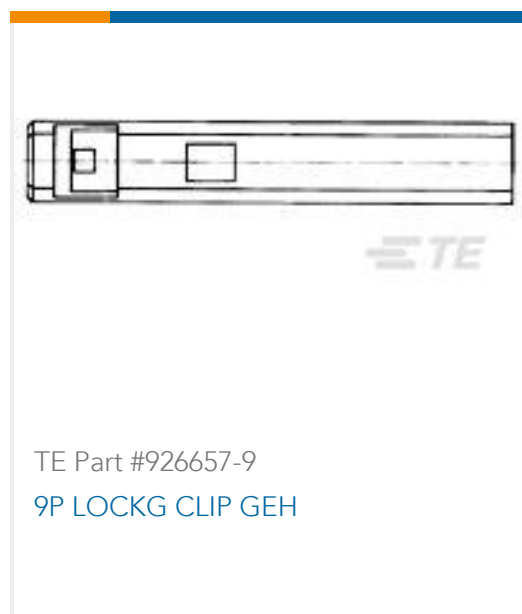
TE Part #33695  
TERMINAL\_BUDG R 26-22 2



TE Part #87233-6  
06 MODII HDR SRRR UNSHRD .100



TE Part #1-87175-9  
09 LOCKING CLIP HSG SR MRKD



## Documents

### Product Drawings

#### LOCKING CLIP KEYING PLUG

English

### CAD Files

#### 3D PDF

English

#### Customer View Model

[ENG\\_CVM\\_87179-1\\_D.2d\\_dxf.zip](#)

English

#### Customer View Model

[ENG\\_CVM\\_87179-1\\_D.3d\\_igs.zip](#)

English

#### Customer View Model

[ENG\\_CVM\\_87179-1\\_D.3d\\_stp.zip](#)

English

By downloading the CAD file I accept and agree to the [Terms and Conditions](#) of use.

### Datasheets & Catalog Pages

#### AMPMODU\_INTERCONNECTION\_SYSTEM\_SECTION5\_CONT

English

### Product Specifications

#### Application Specification

English