



Connectors > PCB Connectors > Wire-to-Board Connectors > Wire-to-Board Connector Assemblies & Housings



Connector Product Type: **Housing**

Connector & Housing Type: **Receptacle**

Connector System: **Wire-to-Board**

Number of Positions: **10**

Centerline (Pitch): **2.54 mm [.1 in]**

## Features

### Product Type Features

Connector Product Type	Housing
Connector & Housing Type	Receptacle
Connector System	Wire-to-Board
Connector & Contact Terminates To	Wire & Cable

### Configuration Features

Number of Positions	10
Number of Rows	2

### Electrical Characteristics

Termination Resistance	12 mΩ
Insulation Resistance	5000 MΩ
Dielectric Withstanding Voltage (Max)	750 V
Operating Voltage	250 VAC

### Body Features

Primary Product Color	Black
-----------------------	-------

### Contact Features

Contact Type	Socket
Contact Base Material	Phosphor Bronze
Contact Current Rating (Max)	3 A

### Termination Features

Termination Method to Wire & Cable	Crimp
------------------------------------	-------

### Mechanical Attachment

Mating Retention	Without
------------------	---------

### Housing Features

Housing Entry Configuration	Both Ends Closed
-----------------------------	------------------

Housing Material	Polyester GF
------------------	--------------

Centerline (Pitch)	2.54 mm[.1 in]
--------------------	----------------

### Dimensions

Connector Length	13.11 mm[.516 in]
------------------	-------------------

Connector Height	7.62 mm[.3 in]
------------------	----------------

Row-to-Row Spacing	2.54 mm[.1 in]
--------------------	----------------

### Usage Conditions

Operating Temperature Range	-65 – 105 °C[-85 – 221 °F]
-----------------------------	----------------------------

### Operation/Application

Circuit Application	Power & Signal
---------------------	----------------

### Industry Standards

Glow Wire Rating	Standard Part - Not Glow Wire
------------------	-------------------------------

Approved Standards	CSA LR7189, UL E28476
--------------------	-----------------------

UL Flammability Rating	UL 94V-0
------------------------	----------

### Packaging Features

Packaging Quantity	1
--------------------	---

Packaging Method	Package
------------------	---------

### Product Compliance

[For compliance documentation, visit the product page on TE.com>](#)

EU RoHS Directive 2011/65/EU	Compliant
------------------------------	-----------

EU ELV Directive 2000/53/EC	Compliant
-----------------------------	-----------

China RoHS 2 Directive MIIT Order No 32, 2016	No Restricted Materials Above Threshold
-----------------------------------------------	-----------------------------------------

EU REACH Regulation (EC) No. 1907/2006	Current ECHA Candidate List: JUNE 2023 (235) Candidate List Declared Against: JUNE 2023 (235)
----------------------------------------	--------------------------------------------------------------------------------------------------



Does not contain REACH SVHC

Halogen Content

Not Low Halogen - contains Br or Cl > 900 ppm.

Solder Process Capability

Not applicable for solder process capability

Product Compliance Disclaimer

This information is provided based on reasonable inquiry of our suppliers and represents our current actual knowledge based on the information they provided. This information is subject to change. The part numbers that TE has identified as EU RoHS compliant have a maximum concentration of 0.1% by weight in homogenous materials for lead, hexavalent chromium, mercury, PBB, PBDE, DBP, BBP, DEHP, DIBP, and 0.01% for cadmium, or qualify for an exemption to these limits as defined in the Annexes of Directive 2011/65/EU (RoHS2). Finished electrical and electronic equipment products will be CE marked as required by Directive 2011/65/EU. Components may not be CE marked. Additionally, the part numbers that TE has identified as EU ELV compliant have a maximum concentration of 0.1% by weight in homogenous materials for lead, hexavalent chromium, and mercury, and 0.01% for cadmium, or qualify for an exemption to these limits as defined in the Annexes of Directive 2000/53/EC (ELV). Regarding the REACH Regulation, the information TE provides on SVHC in articles for this part number is based on the latest European Chemicals Agency (ECHA) 'Guidance on requirements for substances in articles' posted at this URL: <https://echa.europa.eu/guidance-documents/guidance-on-reach>

### Compatible Parts



TE Part # 5-87165-2  
LOCKING CLIP ASSY .025 SQ LP



TE Part # 87179-1  
LOCKING CLIP KEYING PLUG



TE Part # 87190-1  
LOCKING CLIP CONT ASSY .025 SQ



TE Part # 867052-2  
LOCKING CLIP CONT ASSY .025 SQ



TE Part # 5-87124-2  
LOCKING CLIP CONT ASY .025 SQ



TE Part # 87124-1  
LOCKING CLIP CONT ASSY .025 SQ



TE Part # 5-867052-1  
LOCKING CLIP CONT ASSY .025 SQ



TE Part # 5-87191-2  
LOCKING CLIP ASSY .025 SQ LP



TE Part # 867052-1  
LOCKING CLIP CONT ASSY .025 SQ



TE Part # 87165-1  
LOCKING CLIP ASSY .025 SQ LP



TE Part # 87165-2  
LOCKING CLIP ASSY .025 SQ LP



TE Part # 87191-1  
LOCKING CLIP ASSY .025 SQ LP





TE Part # 5-103795-5  
10 MODII HDR DRRR B/A .100CL LF



TE Part # 6-103326-5  
30 MODII HDR DRRR B/A .100CL




TE Part # 966711-5  
MOD2 STLEI SMD2X 5P



TE Part # 2459141-1  
EXTRACTION TOOL

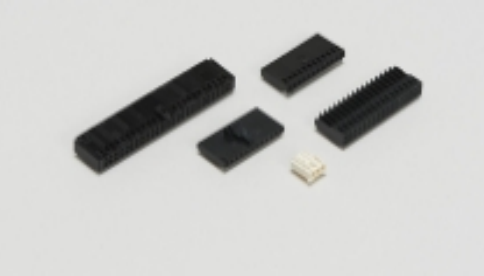
Also in the Series | AMPMODU LOCKING CLIP




Insertion & Extraction Tools(2)



PCB Connector Keying(1)



Wire-to-Board Connector Assemblies & Housings(89)



Wire-to-Board Connector Contacts(7)

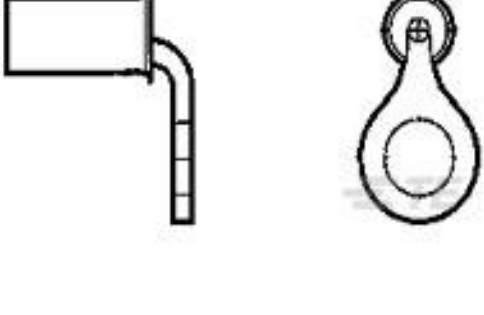
Customers Also Bought



TE Part #87175-2  
01 LOCKING CLIP HSG SR .100CL



TE Part #5745171-2  
SIZE 1 ASSY KIT .200



TE Part #321262  
TERM, SOLIS, RT, 22-16, #6, 90 BEND



TE Part #1445049-2  
FREE HANG SNGL ROW HSG 2 POS



TE Part #205090-1  
HD 20 SOCKET CONTACT



TE Part #1757820-2  
AMPLIMITE,ASY,RCPT,STD,109,ZN,2



TE Part #3325350001  
RPS-1K-22-18/2.0-S2-9



TE Part #2-1609113-6  
15CUFE1=F8297



TE Part #1-87133-3  
16 LOCKING CLIP HSG DR .100CL



TE Part #DL61H-12-12PN  
HERM RECP



## Documents

### CAD Files

#### 3D PDF

3D

#### Customer View Model

[ENG\\_CVM\\_CVM\\_87133-2\\_AA.2d\\_dxf.zip](#)

English

#### Customer View Model

[ENG\\_CVM\\_CVM\\_87133-2\\_AA.3d\\_igs.zip](#)

English

#### Customer View Model

[ENG\\_CVM\\_CVM\\_87133-2\\_AA.3d\\_stp.zip](#)

English

By downloading the CAD file I accept and agree to the [Terms and Conditions](#) of use.

### Datasheets & Catalog Pages

[AMPMODU\\_INTERCONNECTION\\_SYSTEM\\_SECTION5\\_CONT](#)

English

### Product Specifications

[Application Specification](#)

English

### Product Environmental Compliance

[Product Compliance](#)

English

[Product Compliance](#)

English

### Instruction Sheets

[Instruction Sheet \(U.S.\)](#)

English

[AMPMODU Locking Clip Contacts and Housings for 0.64mm Square Posts](#)

English

### Agency Approvals

[UL](#)

English