

87077-2 ✓ ACTIVE

AMPMODU | AMPMODU IV/V

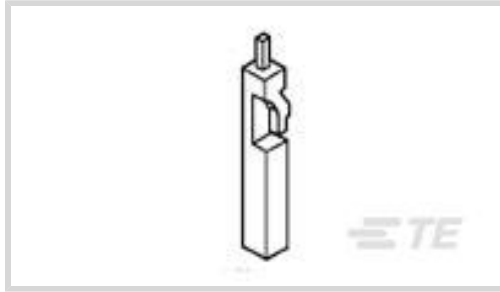
TE Internal #: 87077-2

PCB Connector Keying, Keying Plug, -65 – 105 °C [-85 – 221 °F],
AMPMODU IV/V

[View on TE.com >](#)



Connectors > PCB Connectors > PCB Connector Accessories > PCB Connector Keying



Connector Keying Accessory Type: **Keying Plug**

Operating Temperature Range: **-65 – 105 °C [-85 – 221 °F]**

Features

Product Type Features

Connector Keying Accessory Type	Keying Plug
---------------------------------	-------------

Body Features

Primary Product Color	Natural
-----------------------	---------

Usage Conditions

Operating Temperature Range	-65 – 105 °C[-85 – 221 °F]
-----------------------------	----------------------------

Industry Standards

UL Flammability Rating	UL 94V-0
------------------------	----------

Packaging Features

Packaging Quantity	10000
Packaging Method	Box

Product Compliance

[For compliance documentation, visit the product page on TE.com>](#)

EU RoHS Directive 2011/65/EU	Compliant
EU ELV Directive 2000/53/EC	Compliant
China RoHS 2 Directive MIIT Order No 32, 2016	No Restricted Materials Above Threshold
EU REACH Regulation (EC) No. 1907/2006	Current ECHA Candidate List: JUNE 2023 (235) Candidate List Declared Against: JUNE 2023 (235) Does not contain REACH SVHC
Halogen Content	Low Halogen - Br, Cl, F, I < 900 ppm per homogenous material. Also BFR/CFR/PVC

Free

Solder Process Capability

Not applicable for solder process capability

Product Compliance Disclaimer

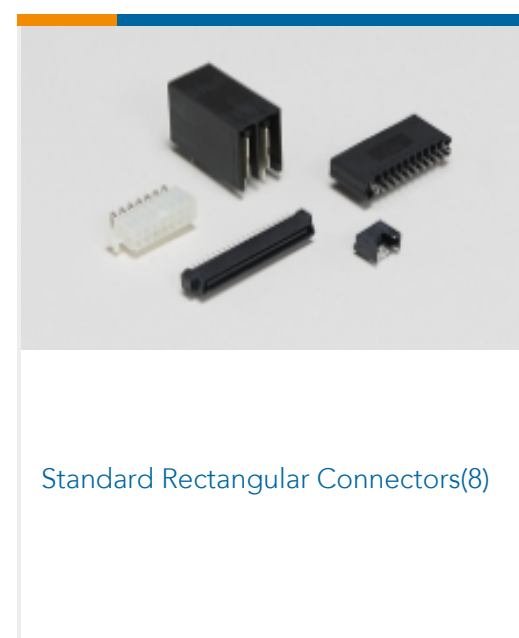
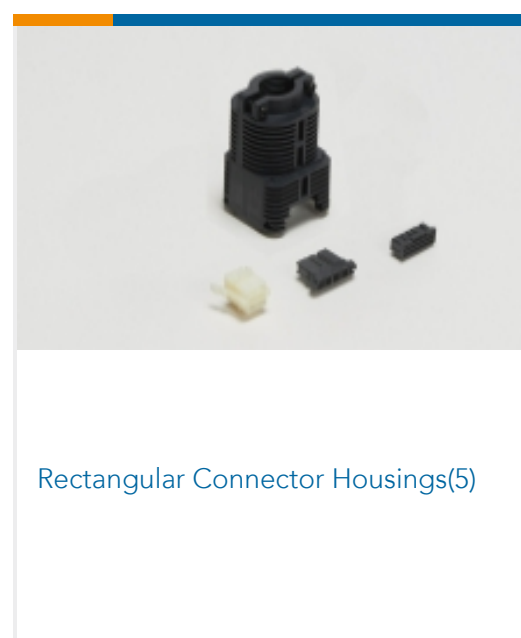
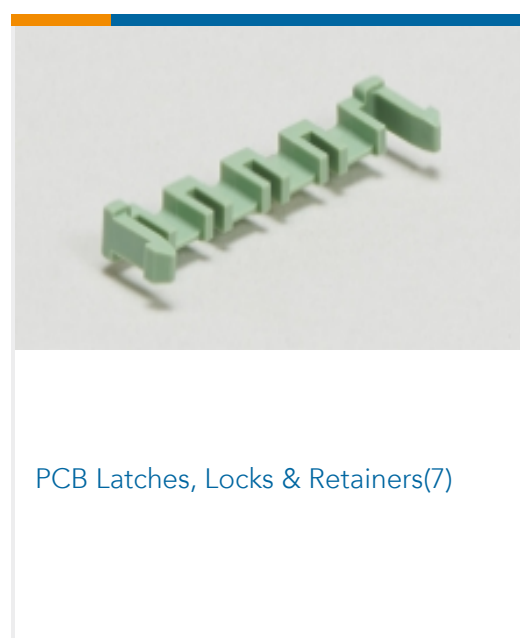
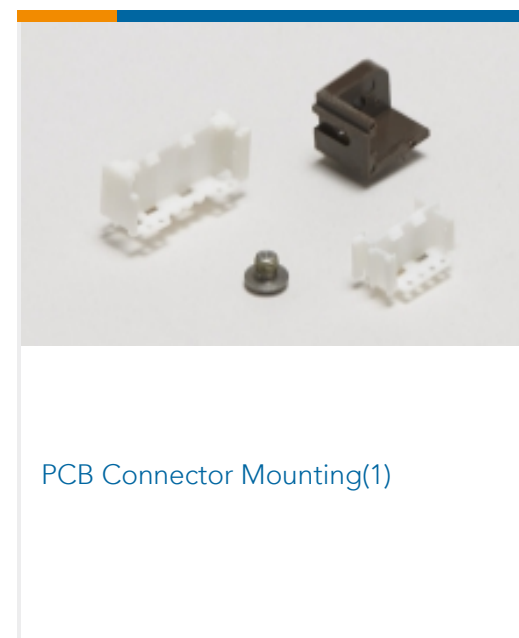
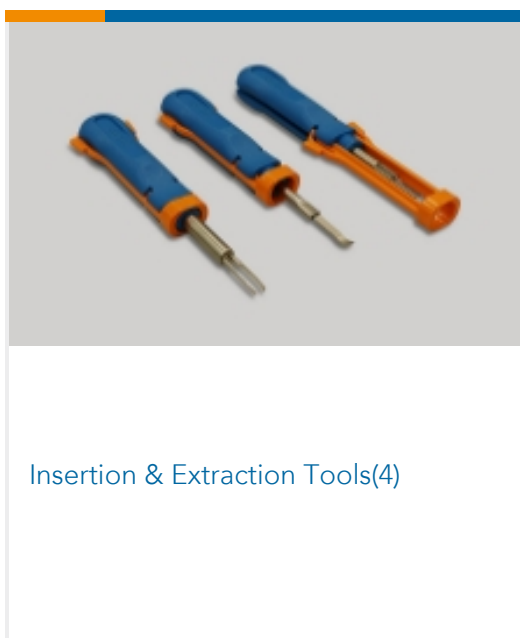
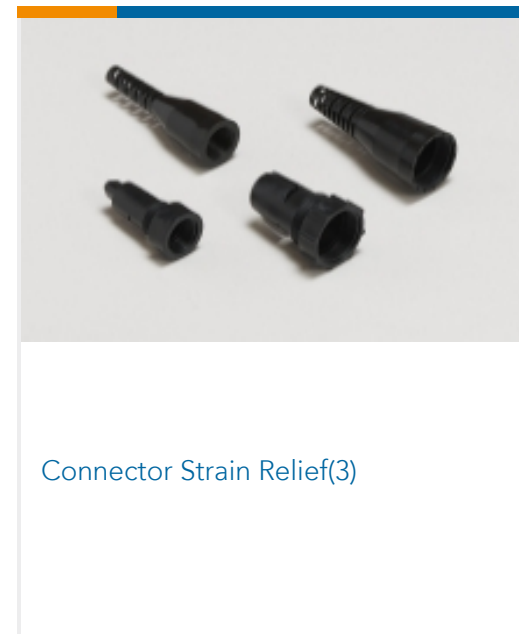
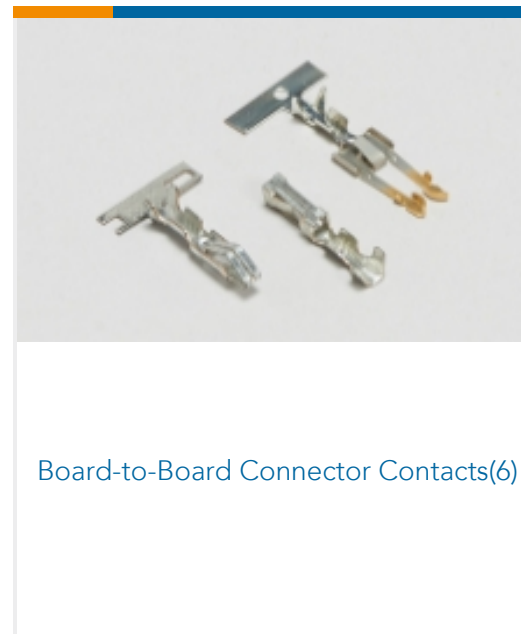
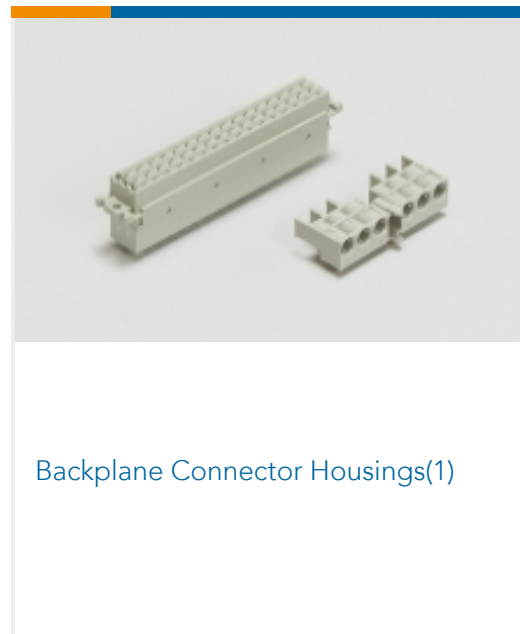
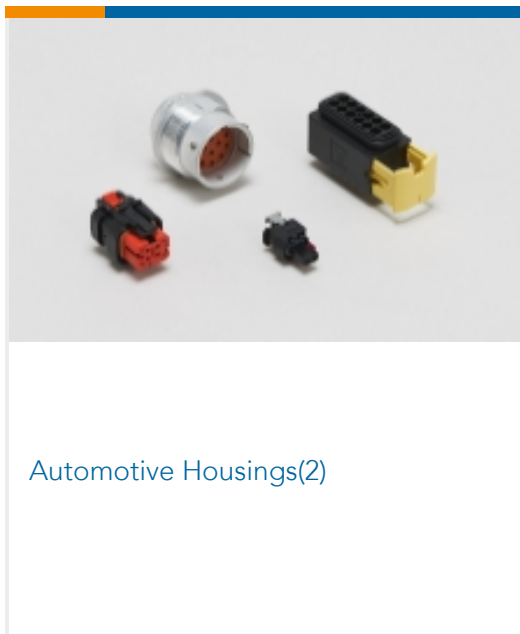
This information is provided based on reasonable inquiry of our suppliers and represents our current actual knowledge based on the information they provided. This information is subject to change. The part numbers that TE has identified as EU RoHS compliant have a maximum concentration of 0.1% by weight in homogenous materials for lead, hexavalent chromium, mercury, PBB, PBDE, DBP, BBP, DEHP, DIBP, and 0.01% for cadmium, or qualify for an exemption to these limits as defined in the Annexes of Directive 2011/65/EU (RoHS2). Finished electrical and electronic equipment products will be CE marked as required by Directive 2011/65/EU. Components may not be CE marked. Additionally, the part numbers that TE has identified as EU ELV compliant have a maximum concentration of 0.1% by weight in homogenous materials for lead, hexavalent chromium, and mercury, and 0.01% for cadmium, or qualify for an exemption to these limits as defined in the Annexes of Directive 2000/53/EC (ELV). Regarding the REACH Regulation, the information TE provides on SVHC in articles for this part number is based on the latest European Chemicals Agency (ECHA) 'Guidance on requirements for substances in articles' posted at this URL: <https://echa.europa.eu/guidance-documents/guidance-on-reach>

Compatible Parts

 <p>TE Part # 280514 AMPMODU II REC. HSG, SINGLE ROW, 12 POS.</p>	 <p>TE Part # 280366 AMPMODU II REC. HSG DUAL ROW, 16 POS.</p>	 <p>TE Part # 280365 AMPMODU, DBL ROW, CONTACT REC</p>	 <p>TE Part # 280361 AMPMODU II REC. HSG, SINGLE ROW 8 POS</p>
 <p>TE Part # 280515 AMPMODU II REC. HSG, DUAL ROW, 24 POS.</p>	 <p>TE Part # 280360 AMPMODU II REC. HSG, SINGLE ROW 6 POS</p>	 <p>TE Part # 280513 AMPMODU II REC. HSG, DUAL ROW, 18 POS</p>	 <p>TE Part # 280359 AMPMODU II REC. HSG, SINGLE ROW, 4 POS.</p>
 <p>TE Part # 280368 AMPMODU II REC. HSG, DUAL ROW, 30 POS.</p>	 <p>TE Part # 280363 AMPMODU II REC. HSG, SINGLE ROW, 15 POS.</p>	 <p>TE Part # 284123-1 AMPMODU II REC. HSG, DUAL ROW, 10 POS.</p>	 <p>TE Part # 280362 AMPMODU II REC. HSG, SINGLE ROW, 10 POS.</p>



Also in the Series | AMPMODU IV/V





Wire-to-Board Connector Assemblies
& Housings(447)

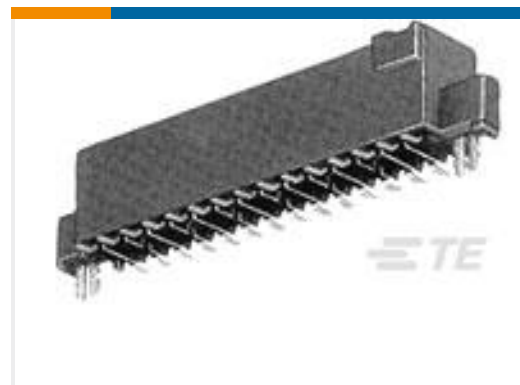


Wire-to-Board Connector Contacts
(322)

Customers Also Bought



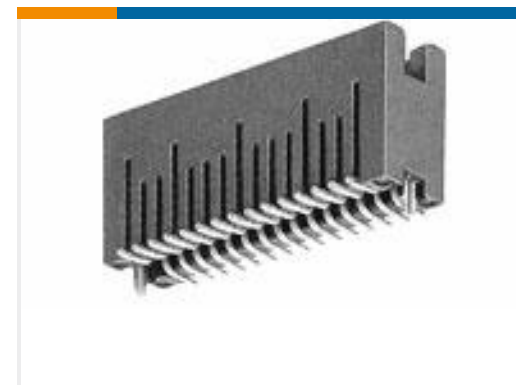
TE Part #GA1K2A1
DISCRETE 1K OHMS,+/-0.2C FROM
0C TO 25C



TE Part #5-104652-3
30 50/50 GRID DRST SFMNT RCPT



TE Part #3-456402-4
CRIMPER,WIRE(055F X 050THK)



TE Part #5-104693-3
30 50/50 HDR DRST SFMNT.390 SN



TE Part #1-1410354-2
MULTIGIG RT GUIDEPIN, 9MM 2.60



TE Part #1-1410355-2
MULTIGIG RT GUIDEPIN, 9MM 2.60



TE Part #2828454-2
GuideModule,Assy,Clockable Keyed
45 Deg



TE Part #838423-E
IDCCS SMC 1,27 12 * AD NC 100 PVC
45 Deg

Documents

Product Drawings

MOD IV KEYING PLUG

English

CAD Files

3D PDF

English

Customer View Model

[ENG_CVM_87077-2_C.2d_dxf.zip](#)

English

Customer View Model

[ENG_CVM_87077-2_C.3d_igs.zip](#)

English

Customer View Model

[ENG_CVM_87077-2_C.3d_stp.zip](#)

English

By downloading the CAD file I accept and agree to the [Terms and Conditions](#) of use.



Datasheets & Catalog Pages

[AMPMODU_INTERCONNECTION_SYSTEM_SECTION5_CONT](#)

English

[1-1773720-9_AMPMODU_MOD_IV_V_ORG](#)

English

Product Specifications

[Product Specification](#)

English

Product Environmental Compliance

[MD_87077-2_031620181253_dmtec](#)

English

[MD_87077-2_031620181253_dmtec](#)

English