

87003-2 ✓ ACTIVE

AMPMODU | AMPMODU MOD 1

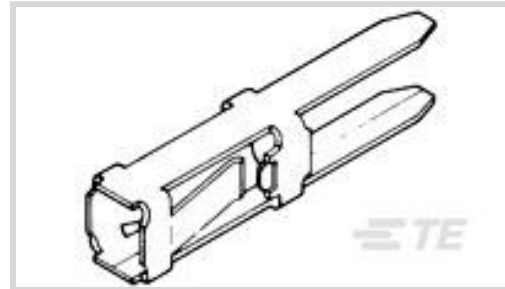
TE Internal #: 87003-2

Connector Contact, Socket, .15 in [3.81 mm] Centerline, Tin, Straight, Printed Circuit Board, 5 A, Signal, -85 – 221 °F [-65 – 105 °C], AMPMODU MOD 1

[View on TE.com >](#)



Connectors > PCB Connectors > Board-to-Board Connectors > Board-to-Board Connector Contacts



Contact Type: **Socket**

Centerline (Pitch): **3.81 mm [.15 in]**

Contact Mating Area Plating Material: **Tin**

Contact Orientation: **Straight**

Connector & Contact Terminates To: **Printed Circuit Board**

Features

Product Type Features

Applied Pressure	Standard
Connector & Contact Terminates To	Printed Circuit Board

Electrical Characteristics

Dielectric Withstanding Voltage (Max)	1200 VAC
Insulation Resistance	5000 MΩ
Contact Resistance	12 mΩ

Body Features

Printed Circuit Board Hole Shape	Round
----------------------------------	-------

Contact Features

PCB Contact Termination Area Plating Material Thickness	2.0066 μm[79 μin]
Contact Mating Area Plating Material Thickness	2.0066 μm[79 μin]
PCB Contact Termination Area Plating Material	Tin
Contact Base Material	Phosphor Bronze
Contact Type	Socket
Contact Mating Area Plating Material	Tin
Contact Orientation	Straight
Contact Current Rating (Max)	5 A

Termination Features



Termination Post & Tail Length	2.85 mm[.112 in]
--------------------------------	------------------

Mechanical Attachment

Wire Insulation Support	Without
-------------------------	---------

PCB Mount Retention	Without
---------------------	---------

Housing Features

Mating Entry Location	Top
-----------------------	-----

Centerline (Pitch)	3.81 mm[.15 in]
--------------------	-----------------

Dimensions

PCB Thickness (Recommended)	1.4 – 1.78 mm[.055 – .07 in]
-----------------------------	------------------------------

Usage Conditions

Operating Temperature Range	-65 – 105 °C[-85 – 221 °F]
-----------------------------	----------------------------

Operation/Application

Circuit Application	Signal
---------------------	--------

Packaging Features

Packaging Quantity	5000
--------------------	------

Packaging Method	Reel
------------------	------

Product Compliance

[For compliance documentation, visit the product page on TE.com>](#)

EU RoHS Directive 2011/65/EU	Compliant
------------------------------	-----------

EU ELV Directive 2000/53/EC	Compliant
-----------------------------	-----------

China RoHS 2 Directive MIIT Order No 32, 2016	No Restricted Materials Above Threshold
---	---

EU REACH Regulation (EC) No. 1907/2006	Current ECHA Candidate List: JUNE 2023 (235) Candidate List Declared Against: JUNE 2023 (235) Does not contain REACH SVHC
--	---

Halogen Content	Low Halogen - Br, Cl, F, I < 900 ppm per homogenous material. Also BFR/CFR/PVC Free
-----------------	---

Solder Process Capability	Wave solder capable to 265°C
---------------------------	------------------------------

Product Compliance Disclaimer

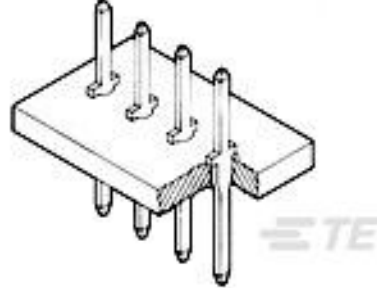
This information is provided based on reasonable inquiry of our suppliers and represents our current actual knowledge based on the information they provided. This information is subject to change. The part numbers that TE has identified as EU RoHS compliant have a maximum concentration of 0.1% by weight in homogenous materials for lead, hexavalent

chromium, mercury, PBB, PBDE, DBP, BBP, DEHP, DIBP, and 0.01% for cadmium, or qualify for an exemption to these limits as defined in the Annexes of Directive 2011/65/EU (RoHS2). Finished electrical and electronic equipment products will be CE marked as required by Directive 2011/65/EU. Components may not be CE marked. Additionally, the part numbers that TE has identified as EU ELV compliant have a maximum concentration of 0.1% by weight in homogenous materials for lead, hexavalent chromium, and mercury, and 0.01% for cadmium, or qualify for an exemption to these limits as defined in the Annexes of Directive 2000/53/EC (ELV). Regarding the REACH Regulation, the information TE provides on SVHC in articles for this part number is based on the latest European Chemicals Agency (ECHA) 'Guidance on requirements for substances in articles' posted at this URL: <https://echa.europa.eu/guidance-documents/guidance-on-reach>

Compatible Parts



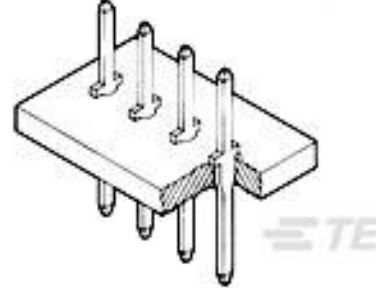
TE Part # 86181-2
MODI KEYING PLUG



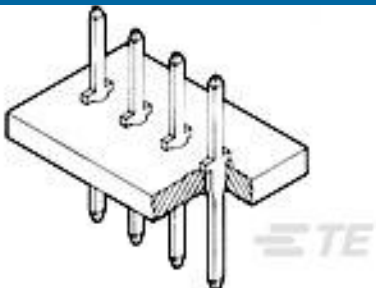
TE Part # 3-5086147-7
MOD I POST PLTD SN, ROHS



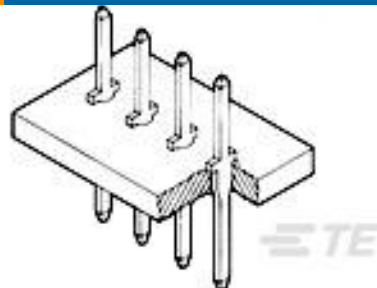
TE Part # 6-87160-1
10 MODI HDR SRST .156CL, ROHS



TE Part # 1-5086147-0
MOD I POST PLTD SN, ROHS



TE Part # 2-5086147-2
MOD I POST PLTD SN, ROHS



TE Part # 2-5086182-2
MOD I POST LP, ROHS



TE Part # 5-85875-3
09 MODI HDR SRST .156CL, ROHS



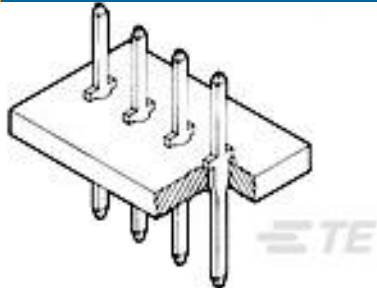
TE Part # 5-87160-4
02 MODI HDR SRST .156CL, ROHS



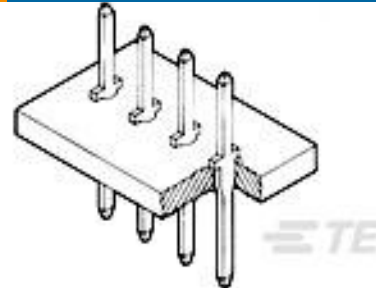
TE Part # 5-87194-4
05 MODI HDR SRRA .156CL, ROHS



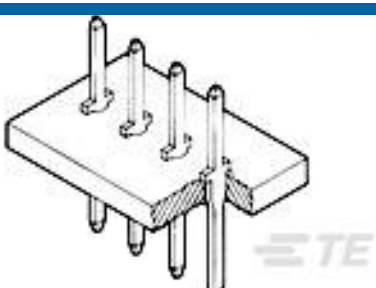
TE Part # 5-87655-2
02 MODI HDR SRRA .156CL, ROHS



TE Part # 5086147-1
MOD I POST PLTD SN, ROHS



TE Part # 5086147-2
MOD I POST PLTD SN, ROHS




TE Part # 5086147-9
MOD I POST PLTD SN, ROHS



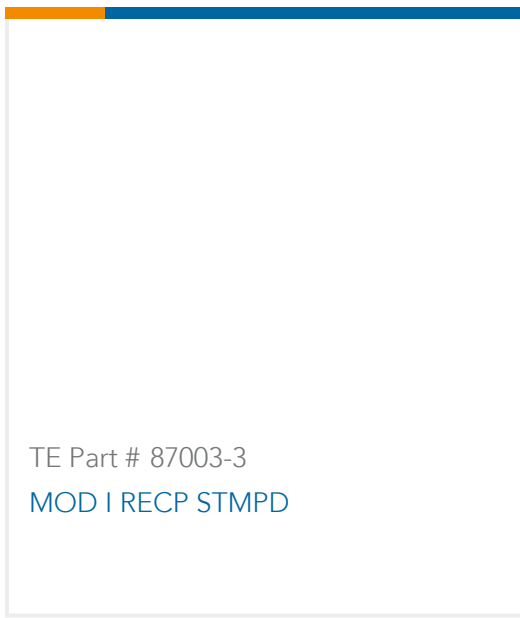
TE Part # 6-87655-4
14 MODI HDR SRRA .156CL, ROHS



TE Part # 7-85875-0
19 MODI HDR SRST .156CL, ROHS



TE Part # 7-87160-0
20 MODI HDR SRST .156CL, ROHS



TE Part # 87003-3
MOD I RECP STMPD

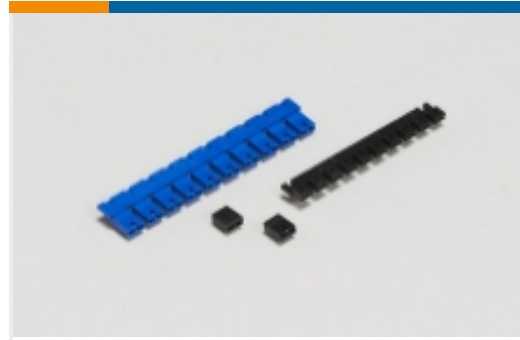
Also in the Series | AMPMODU MOD 1



Automotive Terminals(6)



Board-to-Board Connector Contacts (107)



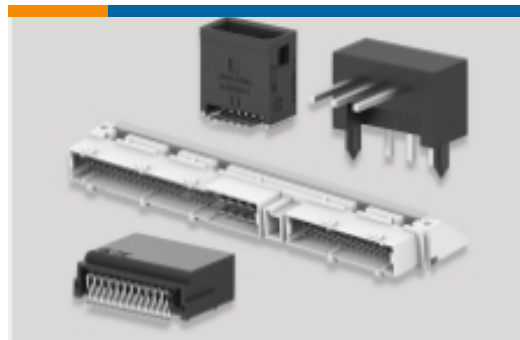
Board-to-Board Jumpers & Shunts(5)



Insertion & Extraction Tools(1)



PCB Connector Keying(2)



PCB Headers & Receptacles(358)



Wire-to-Board Connector Assemblies & Housings(44)

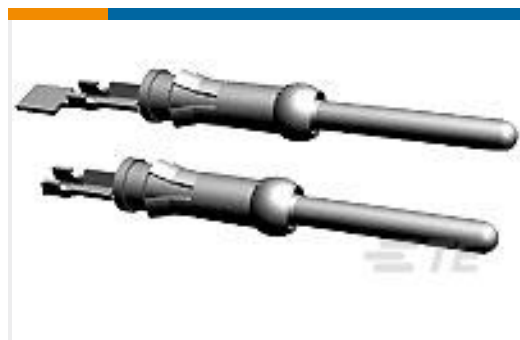


Wire-to-Board Connector Contacts(2)

Customers Also Bought



TE Part #1375820-7
CST-100 II HOUSING 7 POS



TE Part #66400-3
III+ PIN,24-20,15AU/FL,LP



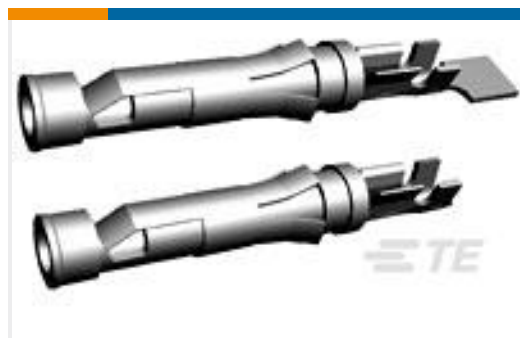
TE Part #3-1625984-2
HSA50 22K 5%



TE Part #6-1879071-1
THS50 33K 5%



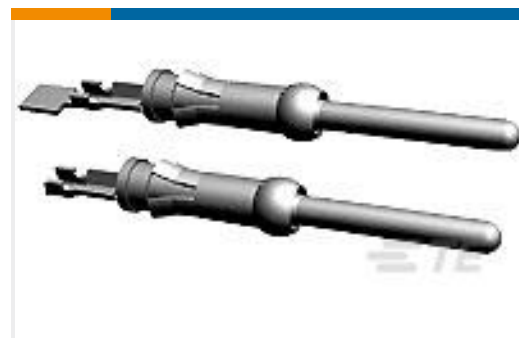
TE Part #211149-1
PIN HSG,25 POSN,METRMATE



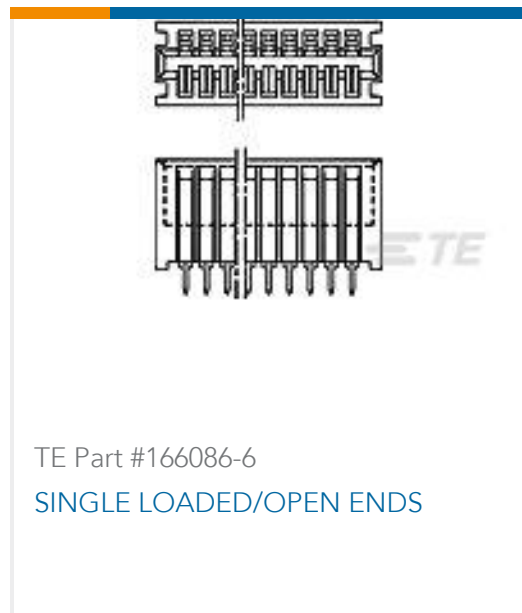
TE Part #66601-1
III+ SKT,18-14,TIN-LEAD,LP



TE Part #208211-1
SCREW SHOULDER, SPEC



TE Part #66602-1
III+ PIN,18-14,TIN-LEAD,LP



Documents

Product Drawings

[MOD I RECP STMPD](#)

English

Datasheets & Catalog Pages

[AMPMODU_INTERCONNECTION_SYSTEM_SECTION_6_7AND8](#)

English

Product Specifications

[Application Specification](#)

English

Product Environmental Compliance

[Product Compliance](#)

English

[Product Compliance](#)

English