

86480-2 ✓ ACTIVE

AMPMODU | AMPMODU MOD 1

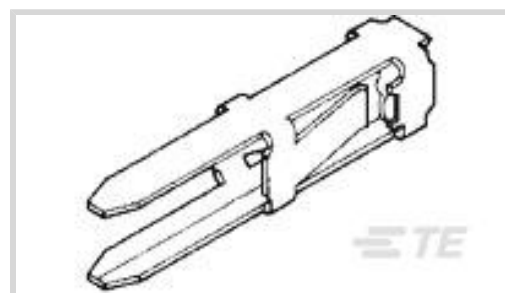
TE Internal #: 86480-2

Connector Contact, Socket, .15 in [3.81 mm] Centerline, Gold, Straight, Printed Circuit Board, 5 A, Signal, -85 – 221 °F [-65 – 105 °C], AMPMODU MOD 1

[View on TE.com >](#)



Connectors > PCB Connectors > Board-to-Board Connectors > Board-to-Board Connector Contacts



Contact Type: **Socket**

Centerline (Pitch): **3.81 mm [.15 in]**

Contact Mating Area Plating Material: **Gold**

Contact Orientation: **Straight**

Connector & Contact Terminates To: **Printed Circuit Board**

Features

Product Type Features

Applied Pressure	Standard
Connector & Contact Terminates To	Printed Circuit Board

Electrical Characteristics

Dielectric Withstanding Voltage (Max)	1200 VAC
Insulation Resistance	5000 MΩ
Contact Resistance	12 mΩ

Body Features

Printed Circuit Board Hole Shape	Round
----------------------------------	-------

Contact Features

Contact Mating Area Plating Material Thickness	.762 μm[30 μin]
PCB Contact Termination Area Plating Material	Gold Flash
Contact Base Material	Phosphor Bronze
Contact Type	Socket
Contact Mating Area Plating Material	Gold
Contact Orientation	Straight
Contact Current Rating (Max)	5 A

Termination Features

Termination Post & Tail Length	2.85 mm[.112 in]
--------------------------------	------------------



Mechanical Attachment

Wire Insulation Support	Without
PCB Mount Retention	Without

Housing Features

Mating Entry Location	Bottom
Centerline (Pitch)	3.81 mm [.15 in]

Dimensions

PCB Thickness (Recommended)	1.4 – 1.78 mm [.055 – .07 in]
-----------------------------	-------------------------------

Usage Conditions

Operating Temperature Range	-65 – 105 °C [-85 – 221 °F]
-----------------------------	-----------------------------

Operation/Application

Circuit Application	Signal
---------------------	--------

Packaging Features

Packaging Quantity	1000
Packaging Method	Loose Piece

Product Compliance

[For compliance documentation, visit the product page on TE.com>](#)

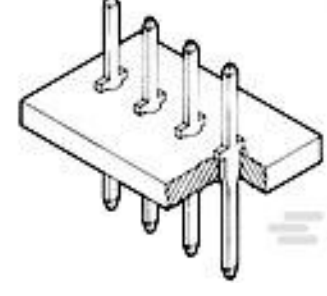
EU RoHS Directive 2011/65/EU	Compliant
EU ELV Directive 2000/53/EC	Compliant
China RoHS 2 Directive MIIT Order No 32, 2016	No Restricted Materials Above Threshold
EU REACH Regulation (EC) No. 1907/2006	Current ECHA Candidate List: JUNE 2023 (235) Candidate List Declared Against: JUNE 2023 (235) Does not contain REACH SVHC
Halogen Content	Low Halogen - Br, Cl, F, I < 900 ppm per homogenous material. Also BFR/CFR/PVC Free
Solder Process Capability	Wave solder capable to 265°C

Product Compliance Disclaimer

This information is provided based on reasonable inquiry of our suppliers and represents our current actual knowledge based on the information they provided. This information is subject to change. The part numbers that TE has identified as EU RoHS compliant have a maximum concentration of 0.1% by weight in homogenous materials for lead, hexavalent chromium, mercury, PBB, PBDE, DBP, BBP, DEHP, DIBP, and 0.01% for cadmium, or qualify for an exemption to these limits as defined in the Annexes of Directive 2011/65/EU (RoHS2). Finished electrical and electronic equipment products

will be CE marked as required by Directive 2011/65/EU. Components may not be CE marked. Additionally, the part numbers that TE has identified as EU ELV compliant have a maximum concentration of 0.1% by weight in homogenous materials for lead, hexavalent chromium, and mercury, and 0.01% for cadmium, or qualify for an exemption to these limits as defined in the Annexes of Directive 2000/53/EC (ELV). Regarding the REACH Regulation, the information TE provides on SVHC in articles for this part number is based on the latest European Chemicals Agency (ECHA) 'Guidance on requirements for substances in articles' posted at this URL: <https://echa.europa.eu/guidance-documents/guidance-on-reach>


Compatible Parts



TE Part # 1-86182-5
MOD I POST LP



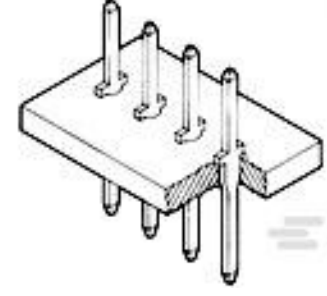
TE Part # 1-87258-0
10 MOD I HDR SRRA .156CL



TE Part # 86181-2
MOD I KEYING PLUG



TE Part # 2-85829-0
20 MOD I HDR SRST .156CL



TE Part # 86182-8
MOD I POST LP



TE Part # 1-85829-0
10 MOD I HDR SRST .156CL



TE Part # 1-85839-2
12 MOD I HDR SRST .156CL



TE Part # 1-85842-3
MOD I INCR POST PLTD 30 SEL



TE Part # 1-85842-4
MOD I INCR POST PLTD 15 SEL



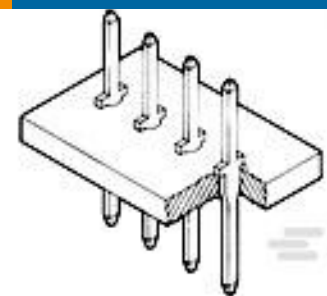
TE Part # 1-85842-6
MOD I INCR POST PLTD 30 SEL



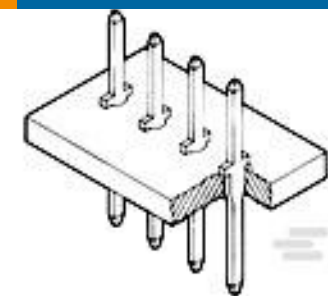
TE Part # 1-85842-8
MOD I INCR POST PLTD 30 SEL



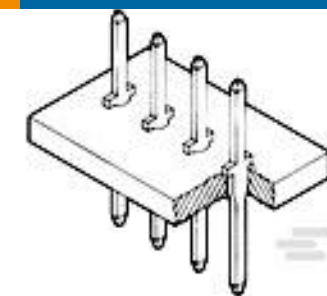
TE Part # 1-86147-1
MOD I POST PLTD 30 AU



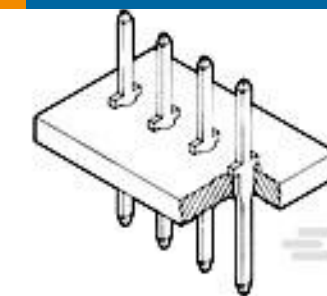
TE Part # 1-86147-2
MOD I POST PLTD 30 AU



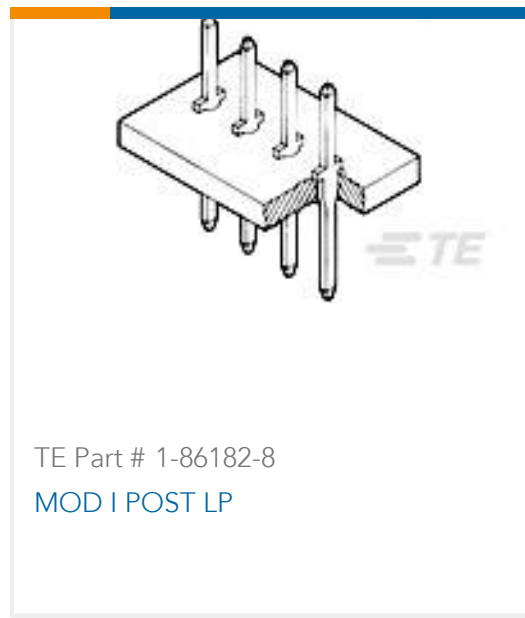
TE Part # 1-86147-5
MOD I POST PLTD 30 AU



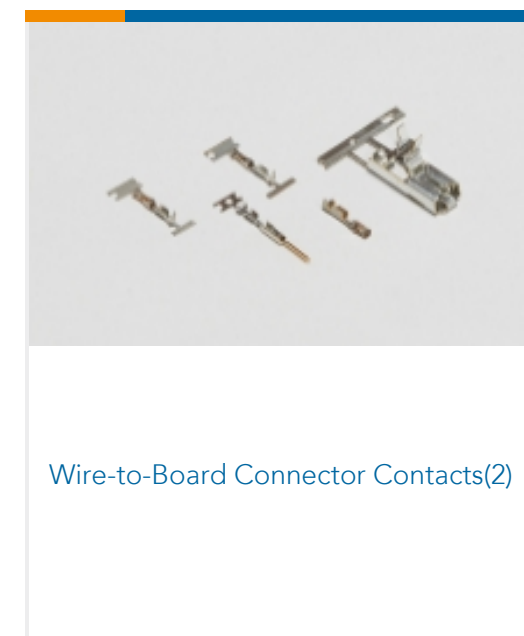
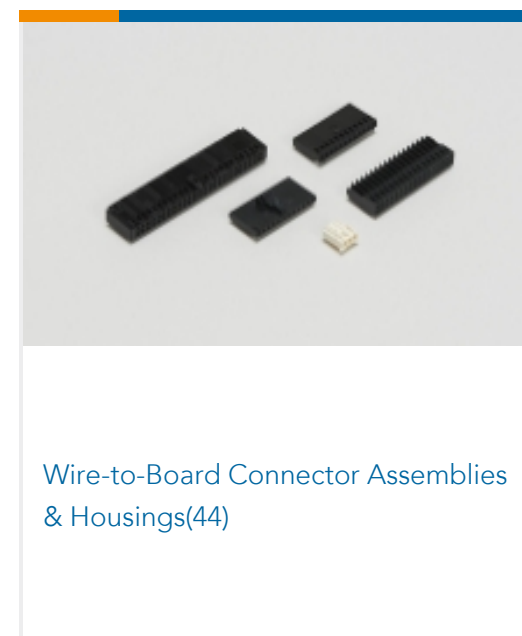
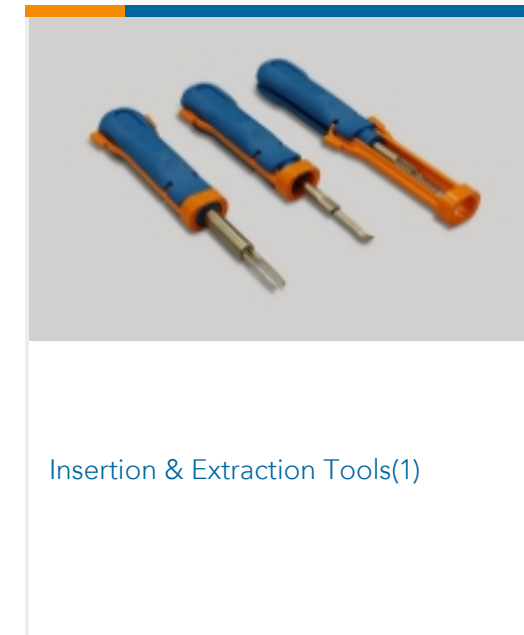
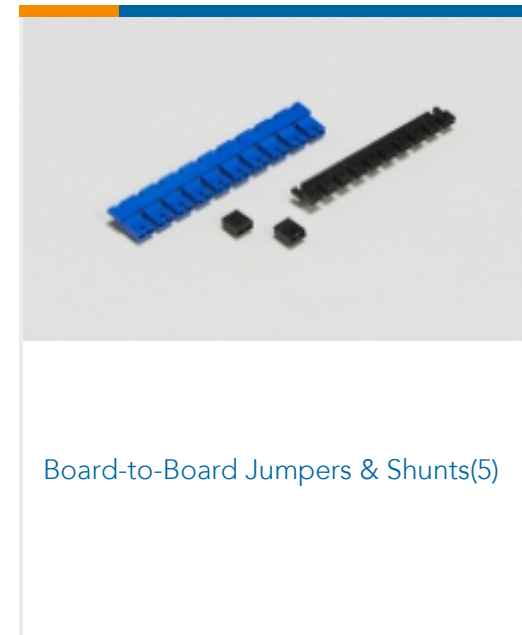
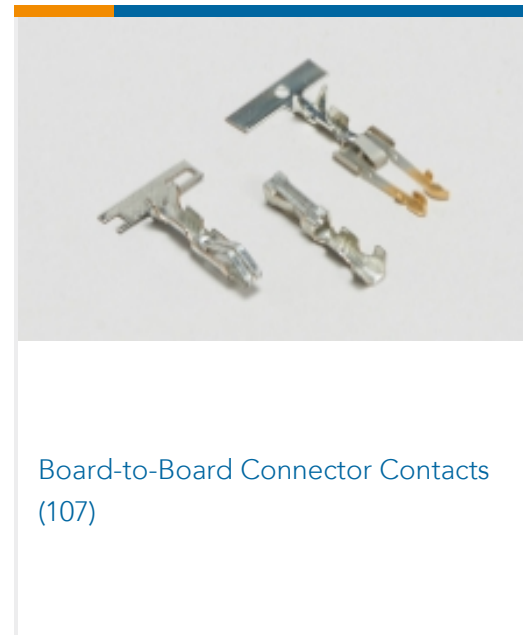
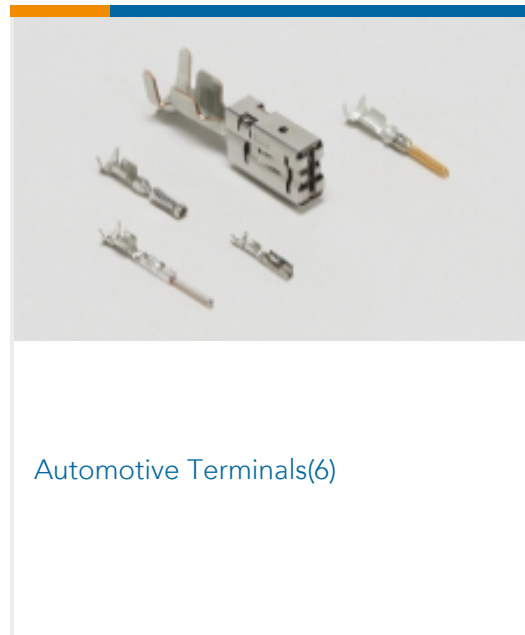
TE Part # 1-86147-8
MOD I POST PLTD 30 AU



TE Part # 1-86182-2
MOD I POST LP



Also in the Series | AMPMODU MOD 1



Customers Also Bought





Documents

CAD Files

3D PDF

3D

Customer View Model

[ENG_CVM_CVM_86480-2_B.2d_dxf.zip](#)

English

Customer View Model

[ENG_CVM_CVM_86480-2_B.3d_igs.zip](#)

English

Customer View Model

[ENG_CVM_CVM_86480-2_B.3d_stp.zip](#)

English

By downloading the CAD file I accept and agree to the [Terms and Conditions](#) of use.

Datasheets & Catalog Pages

[AMPMODU_INTERCONNECTION_SYSTEM_SECTION_6_7AND8](#)

English

Product Specifications

[Product Specification](#)

English