

85487-5 ✓ ACTIVE

AMPMODU | AMPMODU MOD 1

TE Internal #: 85487-5

Connector Contact, Socket, .15 in [3.81 mm] Centerline, Gold,  
Horizontal, Printed Circuit Board, 5 A, Signal, AMPMODU MOD 1

[View on TE.com >](#)



Connectors > PCB Connectors > Board-to-Board Connectors > Board-to-Board Connector Contacts



Contact Type: **Socket**

Centerline (Pitch): **3.81 mm [ .15 in ]**

Contact Mating Area Plating Material: **Gold**

Contact Orientation: **Horizontal**

Connector & Contact Terminates To: **Printed Circuit Board**

## Features

### Product Type Features

|                                   |                       |
|-----------------------------------|-----------------------|
| Applied Pressure                  | Standard              |
| Connector & Contact Terminates To | Printed Circuit Board |

### Electrical Characteristics

|                                       |          |
|---------------------------------------|----------|
| Dielectric Withstanding Voltage (Max) | 1200 VAC |
| Insulation Resistance                 | 5000 MΩ  |
| Contact Resistance                    | 12 mΩ    |

### Body Features

|                                  |       |
|----------------------------------|-------|
| Printed Circuit Board Hole Shape | Round |
|----------------------------------|-------|

### Contact Features

|  |                 |
|--|-----------------|
| Contact Mating Area Plating Material Thickness | .381 μm[15 μin] |
| PCB Contact Termination Area Plating Material  | Gold            |
| Contact Base Material                          | Phosphor Bronze |
| Contact Type                                   | Socket          |
| Contact Mating Area Plating Material           | Gold            |



|                     |            |
|---------------------|------------|
| Contact Orientation | Horizontal |
|---------------------|------------|

|                              |     |
|------------------------------|-----|
| Contact Current Rating (Max) | 5 A |
|------------------------------|-----|

### Termination Features

|                                |                   |
|--------------------------------|-------------------|
| Termination Post & Tail Length | 3.68 mm [.145 in] |
|--------------------------------|-------------------|

### Mechanical Attachment

|                         |         |
|-------------------------|---------|
| Wire Insulation Support | Without |
|-------------------------|---------|

|                     |         |
|---------------------|---------|
| PCB Mount Retention | Without |
|---------------------|---------|

### Housing Features

|                       |      |
|-----------------------|------|
| Mating Entry Location | Side |
|-----------------------|------|

|                    |                  |
|--------------------|------------------|
| Centerline (Pitch) | 3.81 mm [.15 in] |
|--------------------|------------------|

### Dimensions

|                             |                                |
|-----------------------------|--------------------------------|
| PCB Thickness (Recommended) | 1.4 – 2.62 mm [.055 – .103 in] |
|-----------------------------|--------------------------------|

### Usage Conditions

|                             |                             |
|-----------------------------|-----------------------------|
| Operating Temperature Range | -65 – 105 °C [-85 – 221 °F] |
|-----------------------------|-----------------------------|

### Operation/Application

|                     |        |
|---------------------|--------|
| Circuit Application | Signal |
|---------------------|--------|

### Packaging Features

|                    |      |
|--------------------|------|
| Packaging Quantity | 5000 |
|--------------------|------|

|                  |      |
|------------------|------|
| Packaging Method | Reel |
|------------------|------|

## Product Compliance

[For compliance documentation, visit the product page on TE.com>](#)

|                              |           |
|------------------------------|-----------|
| EU RoHS Directive 2011/65/EU | Compliant |
|------------------------------|-----------|

|                             |           |
|-----------------------------|-----------|
| EU ELV Directive 2000/53/EC | Compliant |
|-----------------------------|-----------|

|   |   |
|---|---|
| China RoHS 2 Directive MIIT Order No 32, 2016 | No Restricted Materials Above Threshold |
|---|---|

|  |   |
|--|---|
| EU REACH Regulation (EC) No. 1907/2006 | Current ECHA Candidate List: JUNE 2023 (235)<br>Candidate List Declared Against: JUNE 2023 (235)<br>Does not contain REACH SVHC |
|--|---|

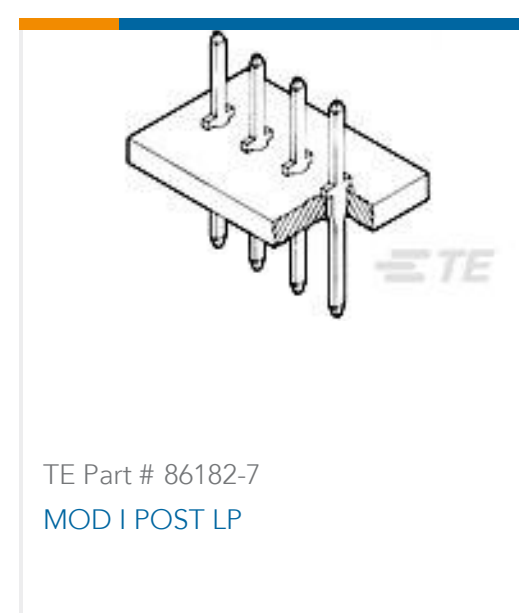
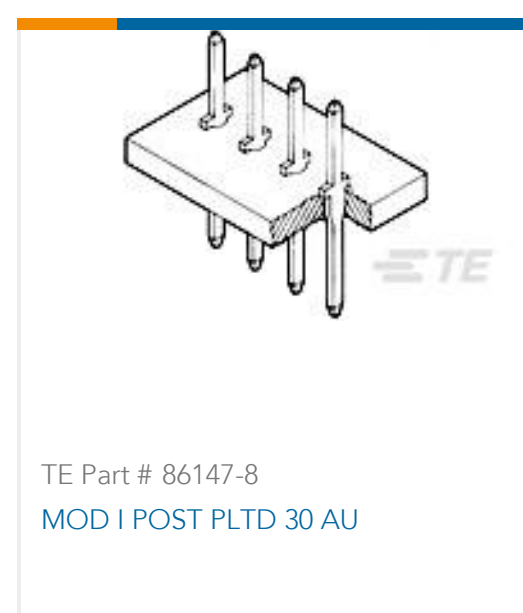
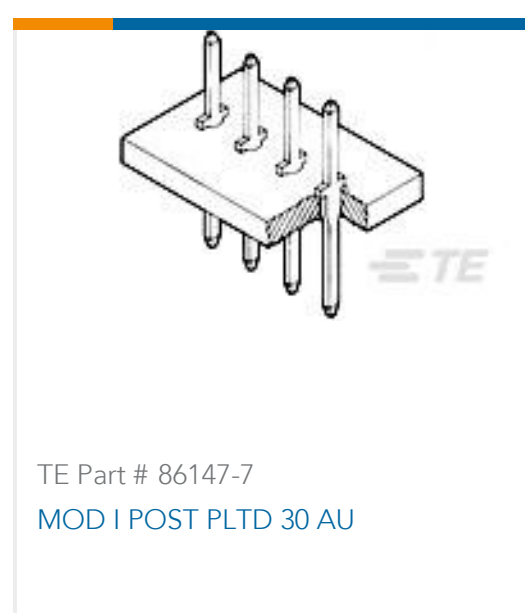
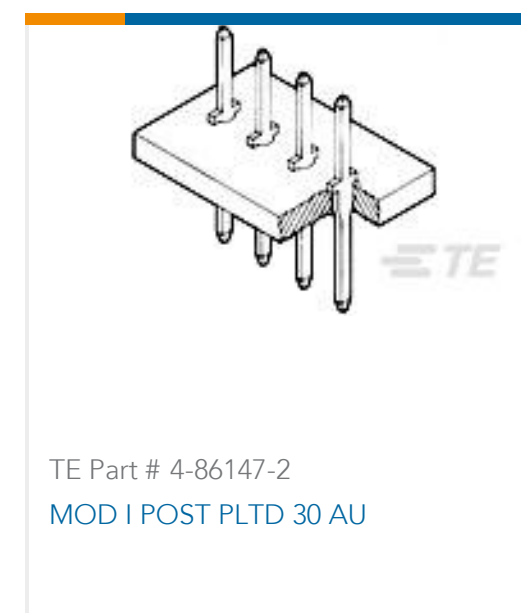
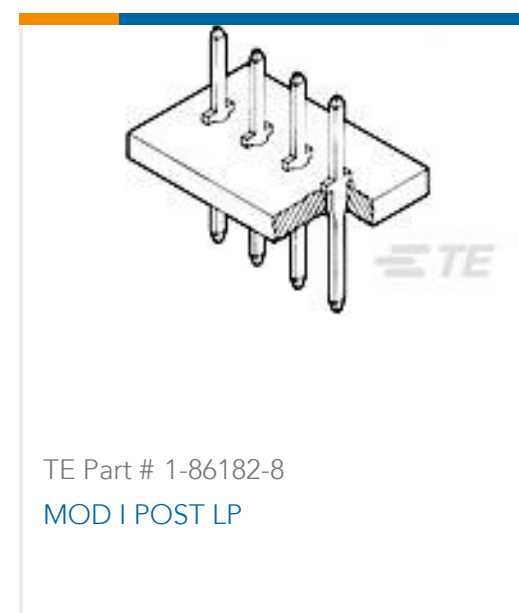
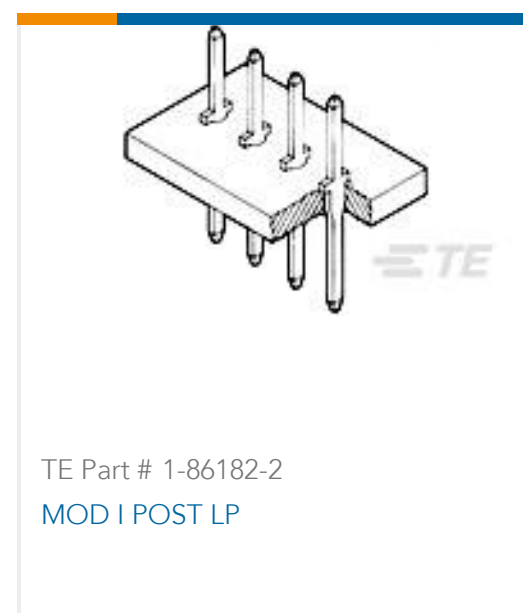
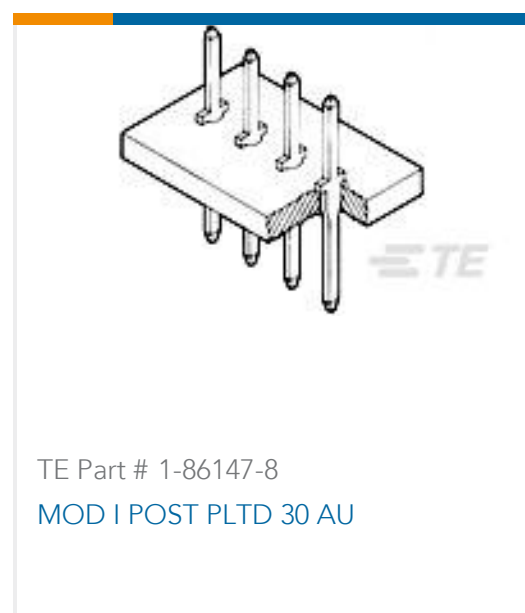
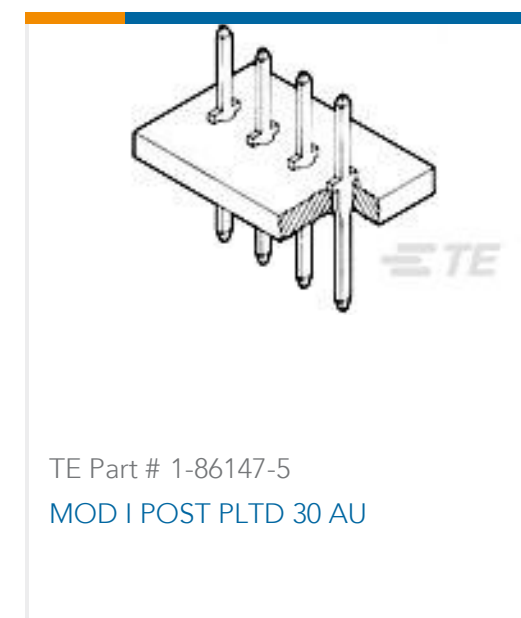
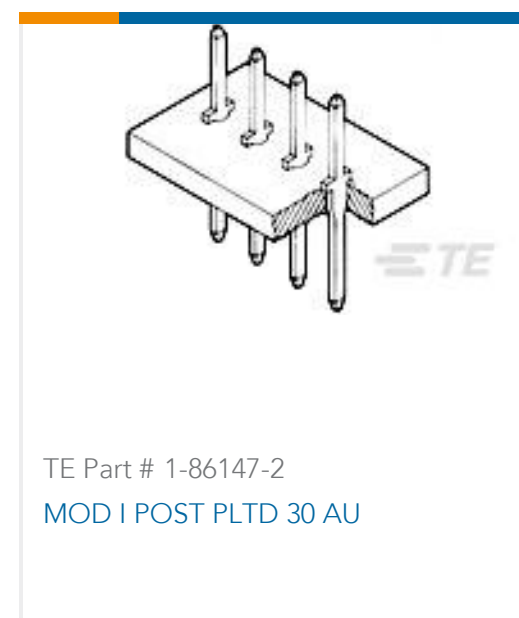
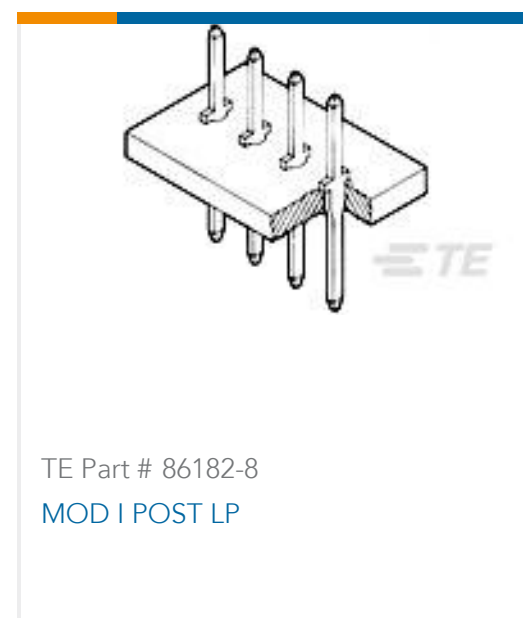
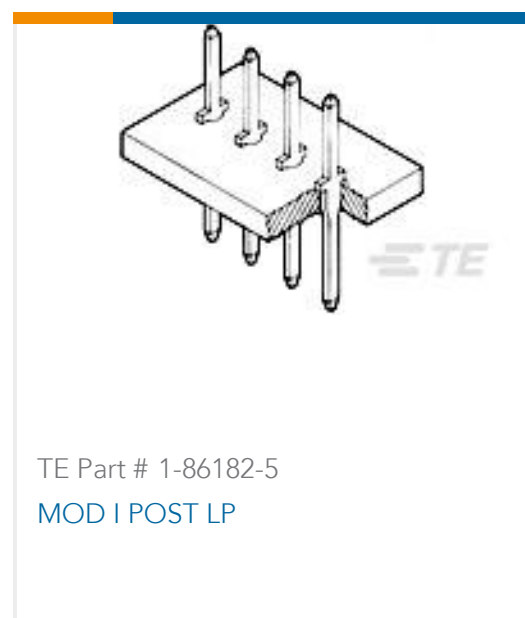
|                 |   |
|-----------------|---|
| Halogen Content | Low Halogen - Br, Cl, F, I < 900 ppm per homogenous material. Also BFR/CFR/PVC Free |
|-----------------|---|

|                           |                              |
|---------------------------|------------------------------|
| Solder Process Capability | Wave solder capable to 265°C |
|---------------------------|------------------------------|

## Product Compliance Disclaimer

This information is provided based on reasonable inquiry of our suppliers and represents our current actual knowledge based on the information they provided. This information is subject to change. The part numbers that TE has identified as EU RoHS compliant have a maximum concentration of 0.1% by weight in homogenous materials for lead, hexavalent chromium, mercury, PBB, PBDE, DBP, BBP, DEHP, DIBP, and 0.01% for cadmium, or qualify for an exemption to these limits as defined in the Annexes of Directive 2011/65/EU (RoHS2). Finished electrical and electronic equipment products will be CE marked as required by Directive 2011/65/EU. Components may not be CE marked. Additionally, the part numbers that TE has identified as EU ELV compliant have a maximum concentration of 0.1% by weight in homogenous materials for lead, hexavalent chromium, and mercury, and 0.01% for cadmium, or qualify for an exemption to these limits as defined in the Annexes of Directive 2000/53/EC (ELV). Regarding the REACH Regulation, the information TE provides on SVHC in articles for this part number is based on the latest European Chemicals Agency (ECHA) 'Guidance on requirements for substances in articles' posted at this URL: <https://echa.europa.eu/guidance-documents/guidance-on-reach>

## Compatible Parts



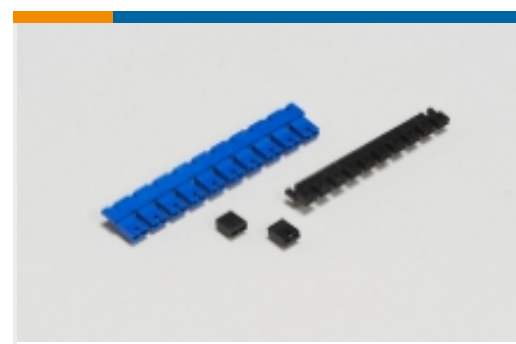
Also in the Series | **AMPMODU MOD 1**



Automotive Terminals(6)



Board-to-Board Connector Contacts (107)



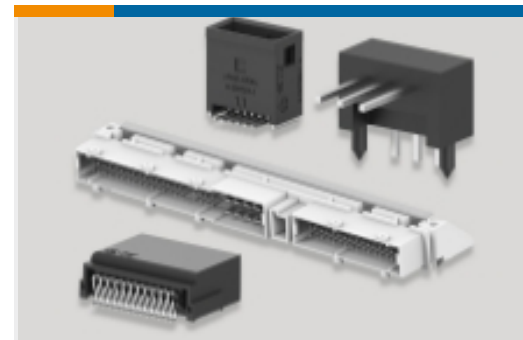
Board-to-Board Jumpers &amp; Shunts(5)



Insertion &amp; Extraction Tools(1)



PCB Connector Keying(2)



PCB Headers &amp; Receptacles(358)



Wire-to-Board Connector Assemblies &amp; Housings(44)



Wire-to-Board Connector Contacts(2)

## Customers Also Bought

TE Part #3371890001  
ES-CAP-NO.1-C1-0-30MMTE Part #66103-4  
III+ PIN,24-20,30AU/FL,LP

## Documents

### Product Drawings

[MOD I RECP PLTD 15 SEL](#)

English

### CAD Files

[3D PDF](#)

3D

Customer View Model

[ENG\\_CVM\\_CVM\\_85487-5\\_AN.2d\\_dxf.zip](#)

English

Customer View Model

[ENG\\_CVM\\_CVM\\_85487-5\\_AN.3d\\_igs.zip](#)

English

Customer View Model

[ENG\\_CVM\\_CVM\\_85487-5\\_AN.3d\\_stp.zip](#)

English

By downloading the CAD file I accept and agree to the [Terms and Conditions](#) of use.



---

[Product Specifications](#)

[Application Specification](#)

English