

85-030A-0R ✓ ACTIVE

MEAS | MEAS 85 Series

TE Internal #: 85-030A-0R

TE Internal Description: 30 PSIA WELDABLE RIBBON PRESSURE SENSOR

13MM MV OUTPUT PRESSURE SENSOR

[View on TE.com >](#)



Sensors > Pressure Sensors > Media Isolated Pressure Sensors > 13MM MV OUTPUT PRESSURE SENSOR



Pressure: [30 psi]

Media Isolated Pressure Sensor Type: **Media Isolated mV Output Pressure Sensors**

Media Isolated Pressure Sensor Style: **Absolute**

Output/Span: **100mV**

Operating Temperature Range: **-40 – 125 °C [-40 – 257 °F]**

[All 13MM MV OUTPUT PRESSURE SENSOR \(26\)](#)

Features

Product Type Features

Media Isolated Pressure Sensor Type	Media Isolated mV Output Pressure Sensors
Media Isolated Pressure Sensor Style	Absolute

Configuration Features

Electrical Connection	Ribbon Cable
Pressure Port/Fitting	Weldable (5/16-32 UNEF-3A Thread)

Electrical Characteristics

Supply Current	1.5 mA
----------------	--------

Dimensions

Dimensions	Dia 15.85 x 9.3 mm [Dia .624 x .366 in]
------------	---

Usage Conditions

Operating Temperature Range	-40 – 125 °C [-40 – 257 °F]
-----------------------------	-------------------------------

Operation/Application

Proof Pressure Range	3X
	30 psi
Output/Span	100mV



Packaging Features

Media Isolated Pressure Sensor Package	Threaded Process Fittings, Weldable
--	-------------------------------------

Other

Non-Linearity	± .1 %
---------------	--------

Product Compliance

[For compliance documentation, visit the product page on TE.com>](#)

EU RoHS Directive 2011/65/EU	Compliant
EU ELV Directive 2000/53/EC	Compliant
China RoHS 2 Directive MIIT Order No 32, 2016	No Restricted Materials Above Threshold
EU REACH Regulation (EC) No. 1907/2006	Current ECHA Candidate List: JUNE 2023 (235) Candidate List Declared Against: JUNE 2023 (235) Does not contain REACH SVHC
Halogen Content	Not Yet Reviewed for halogen content
Solder Process Capability	Not reviewed for solder process capability

Product Compliance Disclaimer

This information is provided based on reasonable inquiry of our suppliers and represents our current actual knowledge based on the information they provided. This information is subject to change. The part numbers that TE has identified as EU RoHS compliant have a maximum concentration of 0.1% by weight in homogenous materials for lead, hexavalent chromium, mercury, PBB, PBDE, DBP, BBP, DEHP, DIBP, and 0.01% for cadmium, or qualify for an exemption to these limits as defined in the Annexes of Directive 2011/65/EU (RoHS2). Finished electrical and electronic equipment products will be CE marked as required by Directive 2011/65/EU. Components may not be CE marked. Additionally, the part numbers that TE has identified as EU ELV compliant have a maximum concentration of 0.1% by weight in homogenous materials for lead, hexavalent chromium, and mercury, and 0.01% for cadmium, or qualify for an exemption to these limits as defined in the Annexes of Directive 2000/53/EC (ELV). Regarding the REACH Regulation, the information TE provides on SVHC in articles for this part number is based on the latest European Chemicals Agency (ECHA) 'Guidance on requirements for substances in articles' posted at this URL: <https://echa.europa.eu/guidance-documents/guidance-on-reach>

Compatible Parts

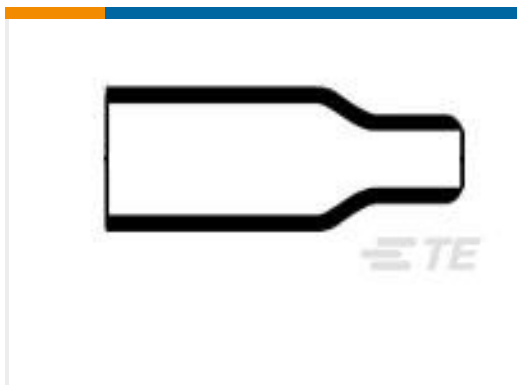
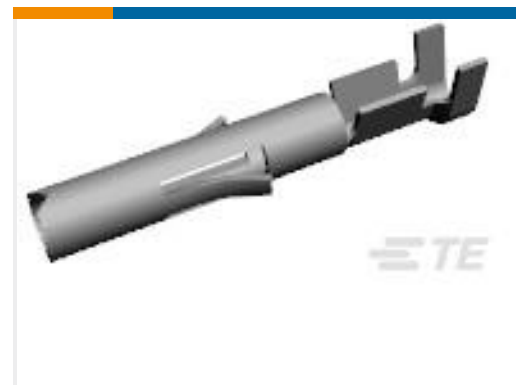


Also in the Series | MEAS 85 Series



Media Isolated Pressure Sensors(52)

Customers Also Bought

TE Part #806786-000
202A111-25-0TE Part #T4171330012-001
M12,FRONT MOUNT,FEMALE,A,12P,
0.2M WIRETE Part #640347-2
UMNL SOK 24-18 AU/BR L/PTE Part #85-300G-0R
13MM MV OUTPUT PRESSURE
SENSORTE Part #CB03314003
RW-200-E-3/16-0-SPTE Part #C91325-000
MP-254127-10-8ATE Part #60-0278-011-000
CONTACT SOCKET 0.6 MMTE Part #172-10202
2PT SNR S=7.90" W/F 1/2"VCR

Documents

CAD Files

3D PDF

3D

Customer View Model

[ENG_CVM_CVM_85-030A-0R_G1.2d_dxf.zip](#)

English

Customer View Model

[ENG_CVM_CVM_85-030A-0R_G1.3d_igs.zip](#)

English

Customer View Model

[ENG_CVM_CVM_85-030A-0R_G1.3d_stp.zip](#)

English

By downloading the CAD file I accept and agree to the [Terms and Conditions](#) of use.

Datasheets & Catalog Pages

85C

English

