



Application Tooling > Insertion & Extraction Tools



Insertion & Extraction Tool Type: **Contact Extraction**

Insertion & Extraction Tool Application: **Contact-to-Housing**

### Features

#### Product Type Features

Insertion & Extraction Tool Type	Contact Extraction
Insertion & Extraction Tool Application	Contact-to-Housing

### Product Compliance

[For compliance documentation, visit the product page on TE.com>](#)

EU RoHS Directive 2011/65/EU	Compliant
EU ELV Directive 2000/53/EC	Out of Scope
China RoHS 2 Directive MIIT Order No 32, 2016	No Restricted Materials Above Threshold
EU REACH Regulation (EC) No. 1907/2006	Current ECHA Candidate List: JUNE 2023 (235) Candidate List Declared Against: JUNE 2023 (235) Does not contain REACH SVHC
Halogen Content	Low Halogen - Br, Cl, F, I < 900 ppm per homogenous material. Also BFR/CFR/PVC Free
Solder Process Capability	Not reviewed for solder process capability

#### Product Compliance Disclaimer

This information is provided based on reasonable inquiry of our suppliers and represents our current actual knowledge based on the information they provided. This information is subject to change. The part numbers that TE has identified as EU RoHS compliant have a maximum concentration of 0.1% by weight in homogenous materials for lead, hexavalent chromium, mercury, PBB, PBDE, DBP, BBP, DEHP, DIBP, and 0.01% for cadmium, or qualify for an exemption to these limits as defined in the Annexes of Directive 2011/65/EU (RoHS2). Finished electrical and electronic equipment products will be CE marked as required by Directive 2011/65/EU. Components may not be CE marked. Additionally, the part numbers that TE has identified as EU ELV compliant have a maximum concentration of 0.1% by weight in homogenous materials for lead, hexavalent chromium, and mercury, and 0.01% for cadmium, or qualify for an exemption to these limits as defined in the Annexes of Directive 2000/53/EC (ELV). Regarding the REACH Regulation, the information TE provides

on SVHC in articles for this part number is based on the latest European Chemicals Agency (ECHA) 'Guidance on requirements for substances in articles' posted at this URL: <https://echa.europa.eu/guidance-documents/guidance-on-reach>

## Compatible Parts



TE Part # 5-103960-5  
4X6 MTE RCPT SR LATCH .100CL



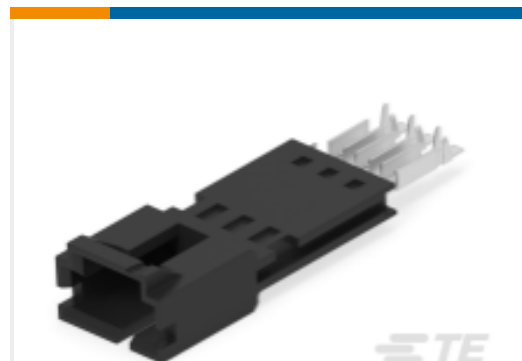
TE Part # 5-103956-8  
2X9 MTE RCPT SR LATCH .100CL



TE Part # 104505-5  
MTE PIN LP



TE Part # 1-104479-3  
SHORT POINT RECP CONT LP



TE Part # 5-103945-2  
5X3 MTE SHRD PIN SR LATCH .100



TE Part # 103653-1  
02 MTE SHRD PIN HSG SR LATCH



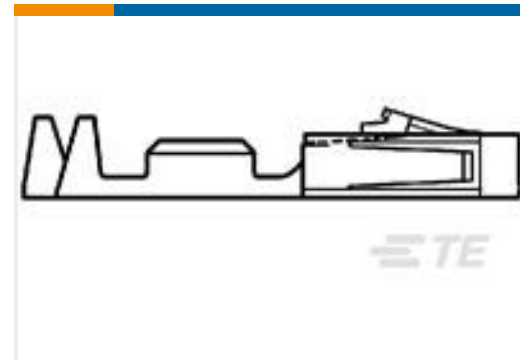
TE Part # 5-103956-1  
10X2 MTE RCPT SR LATCH .100CL



TE Part # 5-103957-9  
2X10 MTE RCPT SR LATCH .100CL



TE Part # 6-103957-1  
2X12 MTE RCPT SR LATCH .100CL



TE Part # 1-104481-2  
SHORT POINT RECP CONT LP



TE Part # 5-103957-6  
2X7 MTE RCPT SR LATCH .100CL



TE Part # 5-103958-1  
10X2 MTE RPT SR LATCH .100CL



TE Part # 5-103946-3  
4X4 MTE SHRD PIN SR POL .100CL



TE Part # 6-103644-3  
14 MTE RCPT SR LATCH .100CL



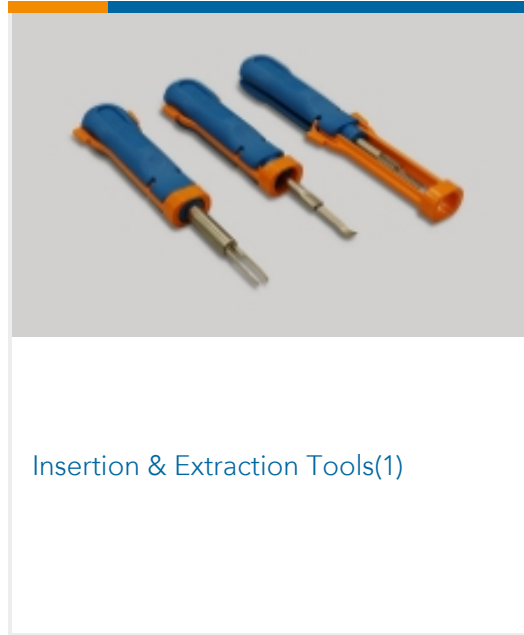
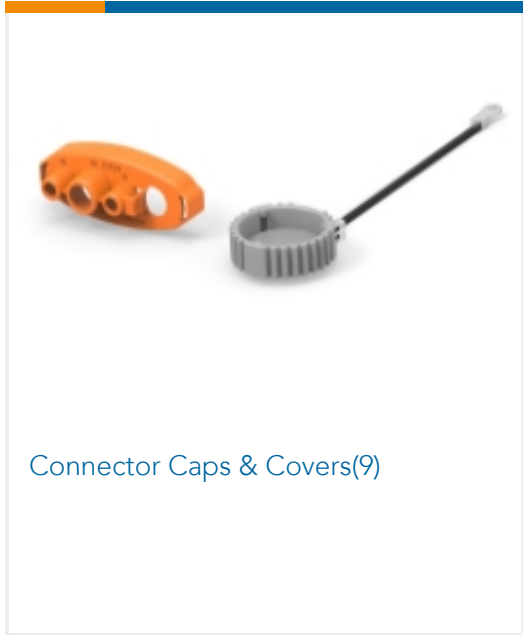
TE Part # 5-104505-3  
MTE PIN LP



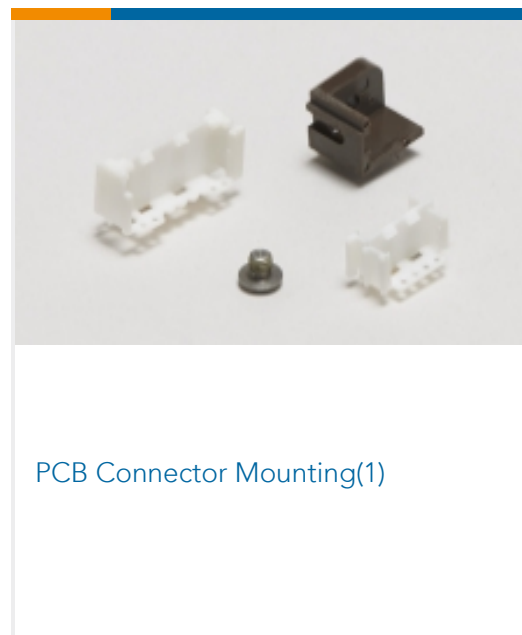
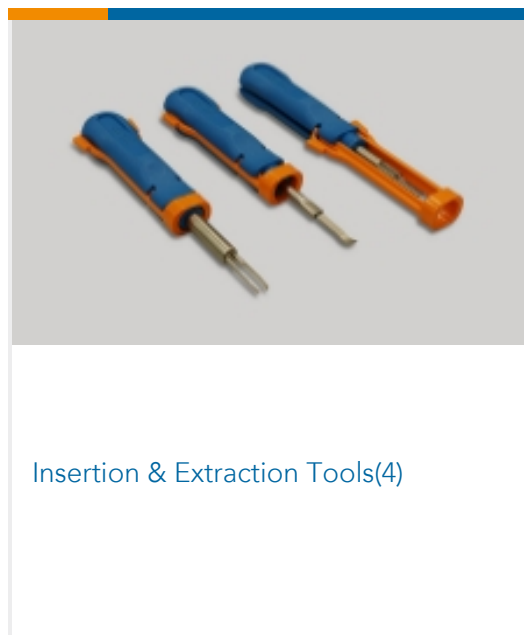
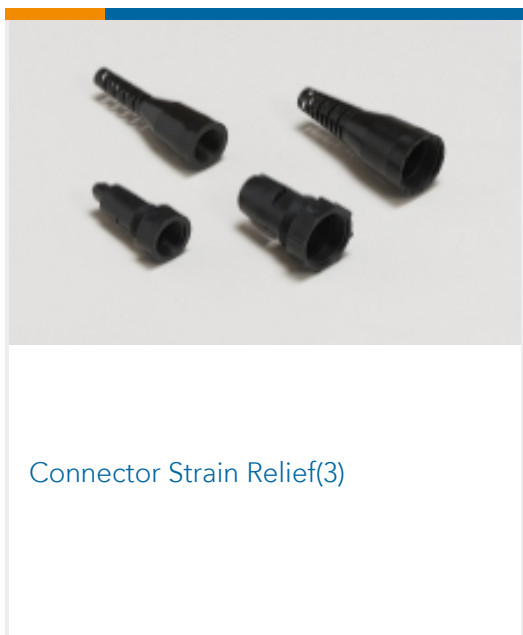
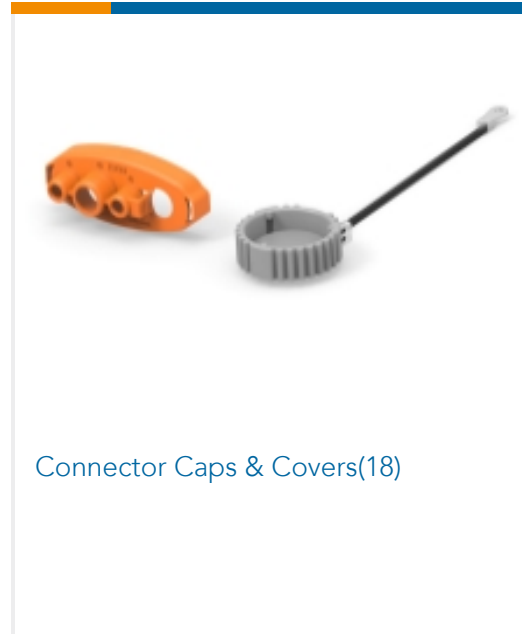
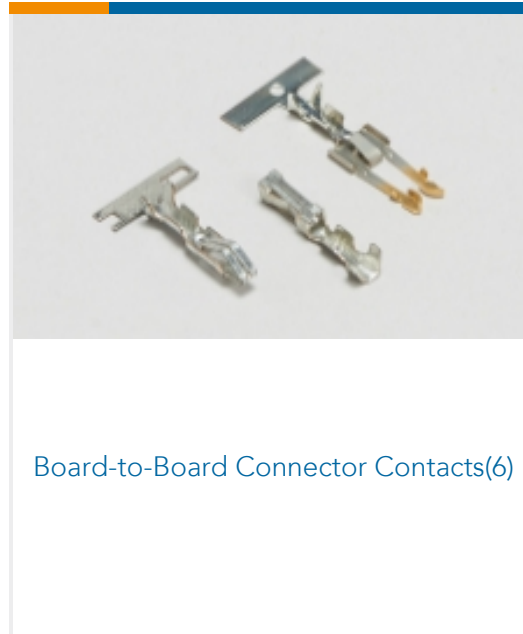
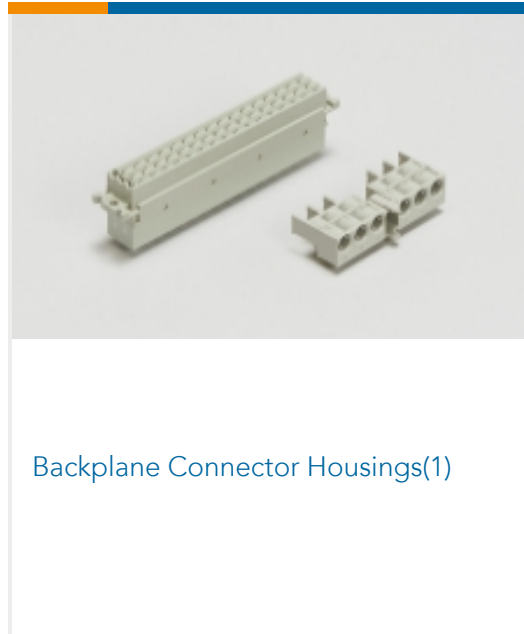
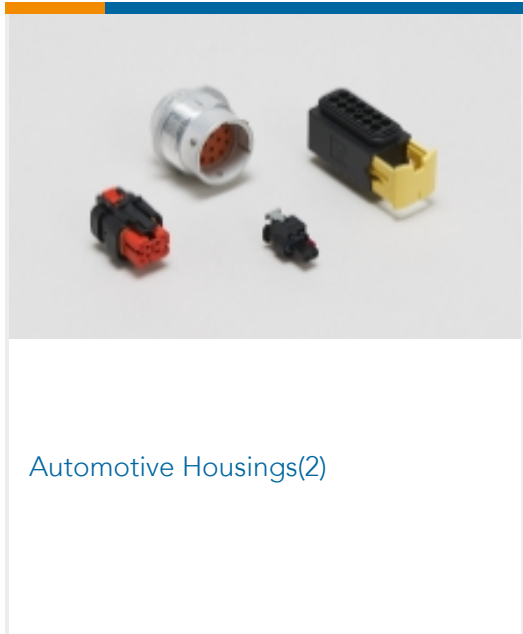
TE Part # 103958-1  
10X2 MTE RPT SR LATCH .100CL



### Also in the Series | AMPMODU 50/50 Grid



### Also in the Series | AMPMODU IV/V





PCB Headers & Receptacles(934)



PCB Latches, Locks & Retainers(7)



Rectangular Connector Housings(5)



Standard Rectangular Connectors(8)



Wire-to-Board Connector Assemblies & Housings(447)



Wire-to-Board Connector Contacts (322)

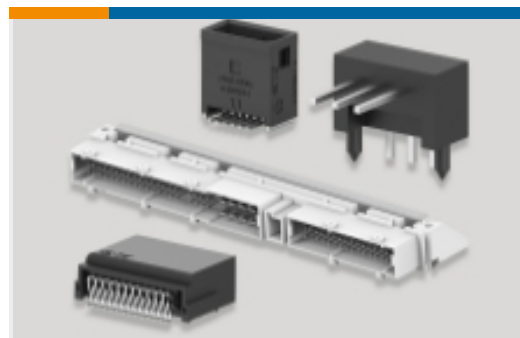
## Also in the Series | AMPMODU MTE



Connector Caps & Covers(40)



Insertion & Extraction Tools(1)



PCB Headers & Receptacles(763)



Ribbon Connector Accessories(1)



Standard Rectangular Connectors(2)



Wire-to-Board Connector Assemblies & Housings(585)



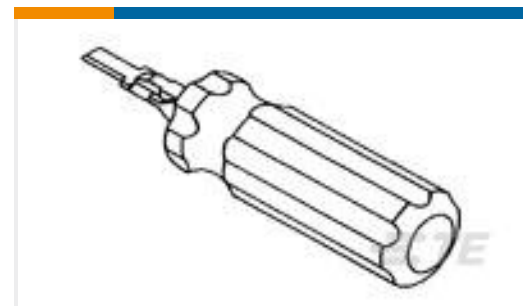
Wire-to-Board Connector Contacts(32)

## Customers Also Bought

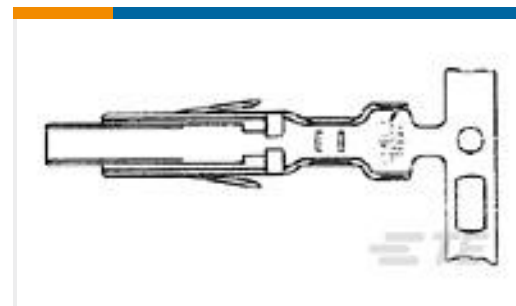




TE Part #52935-1  
TERMINAL,PIDG SPR SPD 16-14 6



TE Part #723986-1  
EXTRACTION TOOL



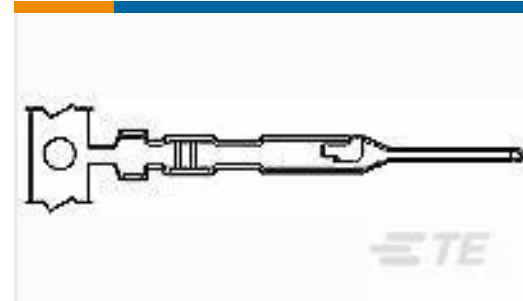
TE Part #170313-1  
DRAWER CONN.CONTACT



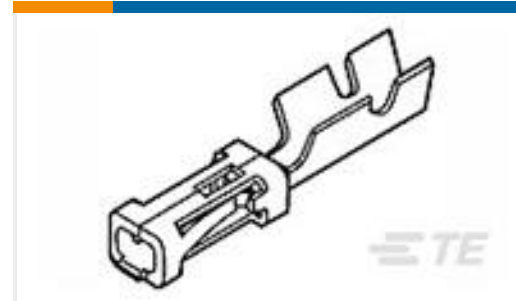
TE Part #213974-1  
METRIMATE 30P RCPT HOUSING



TE Part #4-640430-2  
12P MTA156 CONN ASSY 26AWG BLU



TE Part #1-104505-0  
MTE PIN 22-26 AWG PLTD



TE Part #85969-8  
MOD IV RECP PLTD 30 SEL



TE Part #58336-1  
HEAD (IDC) MODU MTE W/O TL



TE Part #3133610001  
TMS-SCE-3/8-2.0-0



TE Part #5558343-1  
MJ,8POS,R/A,CAT 5e,PNL STOP

## Documents

### Instruction Sheets

[Instruction Sheet \(U.S.\)](#)

English