



Application Tooling > Insertion & Extraction Tools



Insertion & Extraction Tool Type: **Contact Extraction**

Insertion & Extraction Tool Application: **Contact-to-Wire**

Features

Product Type Features

Insertion & Extraction Tool Type	Contact Extraction
Insertion & Extraction Tool Application	Contact-to-Wire

Product Compliance

[For compliance documentation, visit the product page on TE.com>](#)

EU RoHS Directive 2011/65/EU	Compliant
EU ELV Directive 2000/53/EC	Out of Scope
China RoHS 2 Directive MIIT Order No 32, 2016	No Restricted Materials Above Threshold
EU REACH Regulation (EC) No. 1907/2006	Current ECHA Candidate List: JUNE 2023 (235) Candidate List Declared Against: JUNE 2023 (235) Does not contain REACH SVHC
Halogen Content	Low Halogen - Br, Cl, F, I < 900 ppm per homogenous material. Also BFR/CFR/PVC Free
Solder Process Capability	Not reviewed for solder process capability

Product Compliance Disclaimer

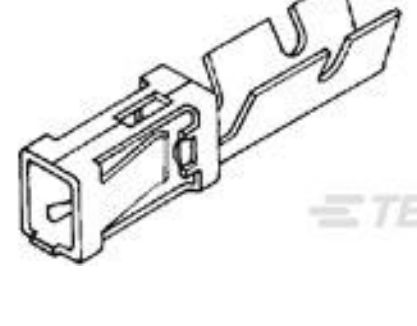
This information is provided based on reasonable inquiry of our suppliers and represents our current actual knowledge based on the information they provided. This information is subject to change. The part numbers that TE has identified as EU RoHS compliant have a maximum concentration of 0.1% by weight in homogenous materials for lead, hexavalent chromium, mercury, PBB, PBDE, DBP, BBP, DEHP, DIBP, and 0.01% for cadmium, or qualify for an exemption to these limits as defined in the Annexes of Directive 2011/65/EU (RoHS2). Finished electrical and electronic equipment products will be CE marked as required by Directive 2011/65/EU. Components may not be CE marked. Additionally, the part numbers that TE has identified as EU ELV compliant have a maximum concentration of 0.1% by weight in homogenous materials for lead, hexavalent chromium, and mercury, and 0.01% for cadmium, or qualify for an exemption to these limits as defined in the Annexes of Directive 2000/53/EC (ELV). Regarding the REACH Regulation, the information TE provides

on SVHC in articles for this part number is based on the latest European Chemicals Agency (ECHA) 'Guidance on requirements for substances in articles' posted at this URL: <https://echa.europa.eu/guidance-documents/guidance-on-reach>

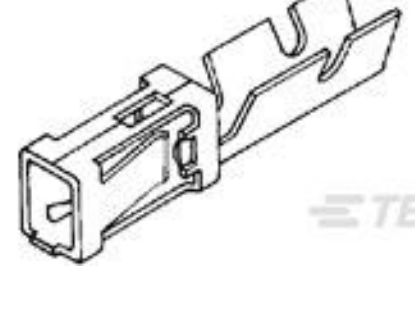
Compatible Parts



TE Part # 182198-1
MOD 1 CONTACT



TE Part # 102100-1
MOD I RECP PLTD 15 SEL



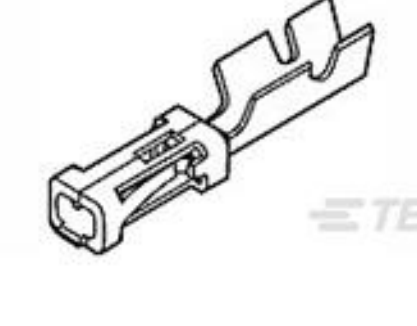
TE Part # 102099-5
MOD I RECP STMPD



TE Part # 166722-1
TANDEM SPR.REC.F



TE Part # 167042-1
TANDEM-SPRING BU



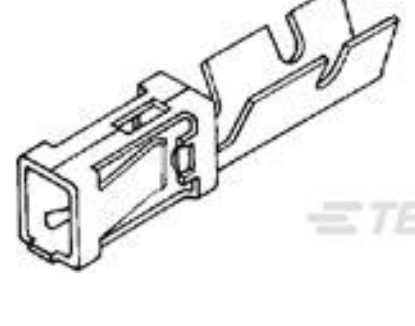
TE Part # 1-141708-1
MOD IV RECEPTACLE, CRIMP SNAP IN, LP



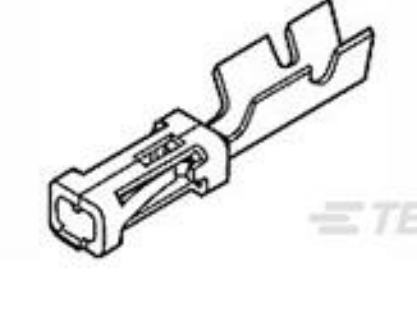
TE Part # 141708-1
MOD-4 REC.CONT.SCP.



TE Part # 280621-2
MOD I CONT STRIP



TE Part # 281423-1
MODU I REC.



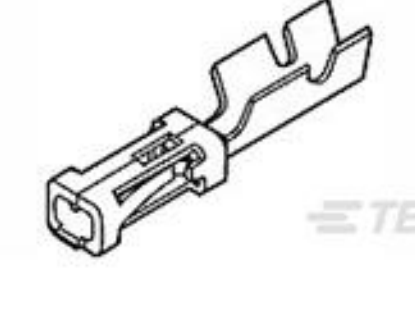
TE Part # 167021-2
MOD-4 REC.CONT.SCP.



TE Part # 167301-4
MOD-4 REC.CONT.SCP



TE Part # 280621-1
MOD I CRIMP CONTACT



TE Part # 2-167301-4
MOD-4 REC.CONT.SCP



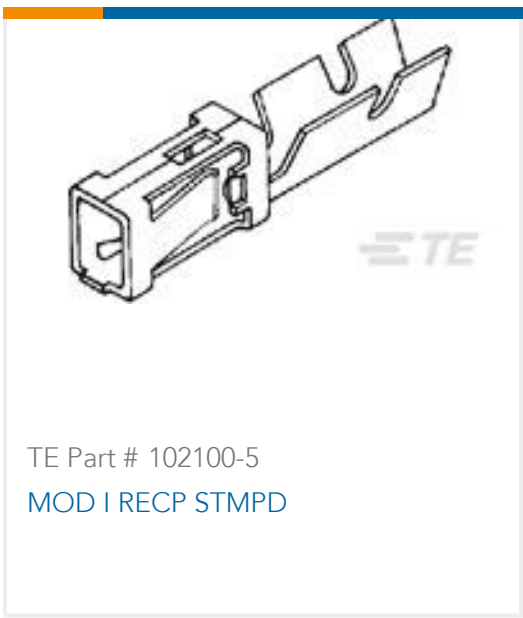
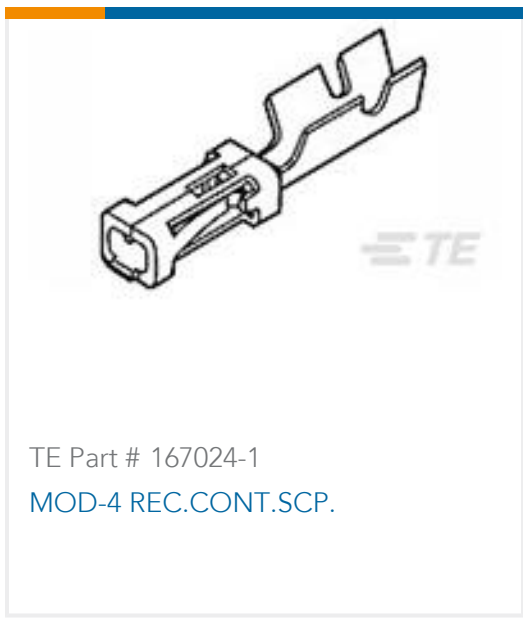
TE Part # 2-167301-2
MOD-4 REC.CONT.SCP



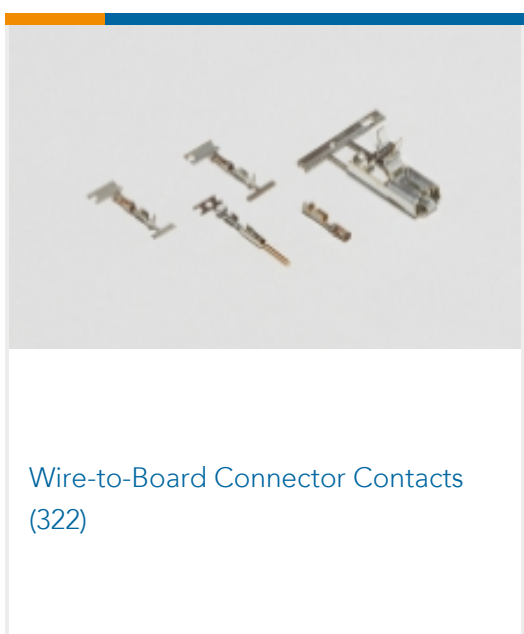
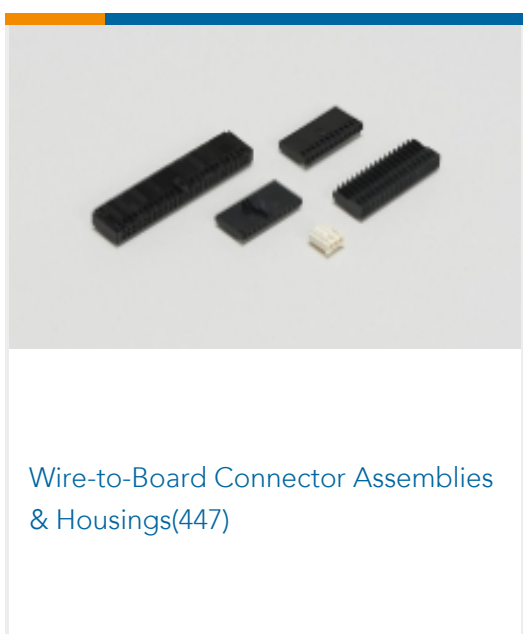
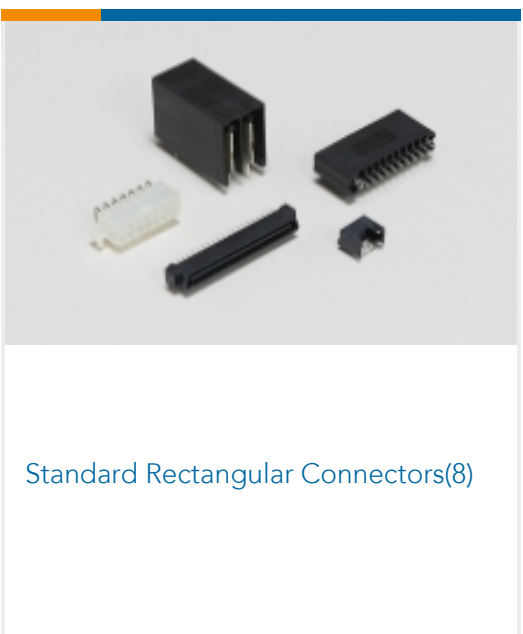
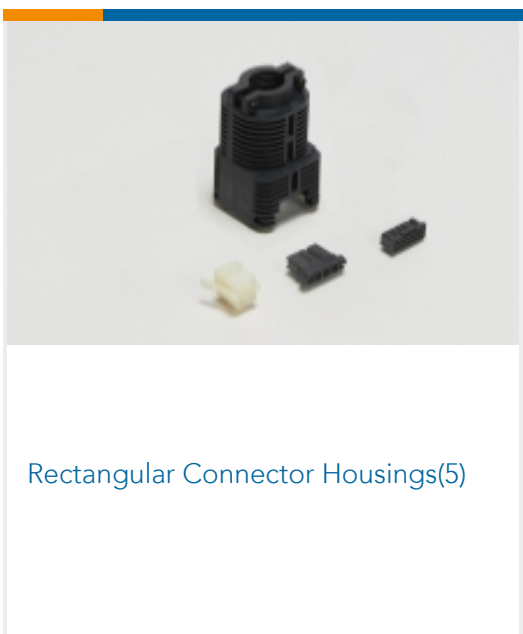
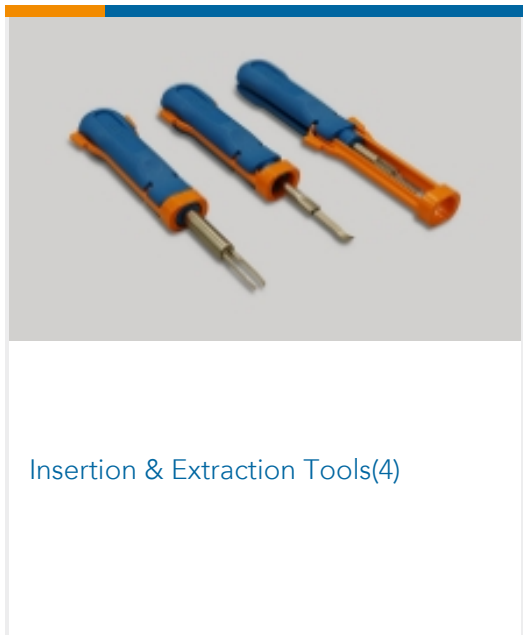
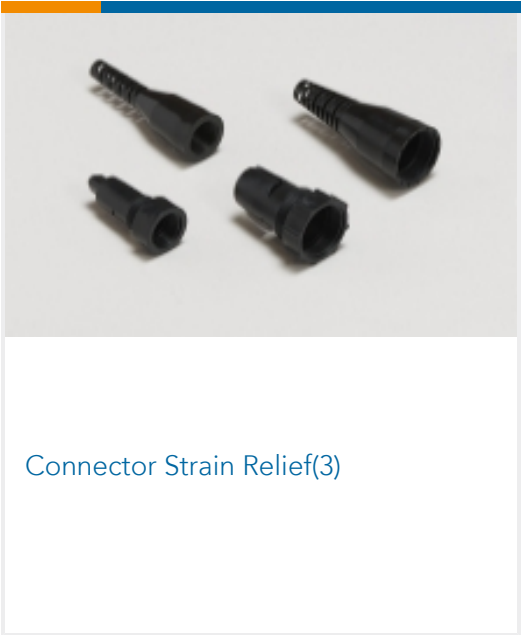
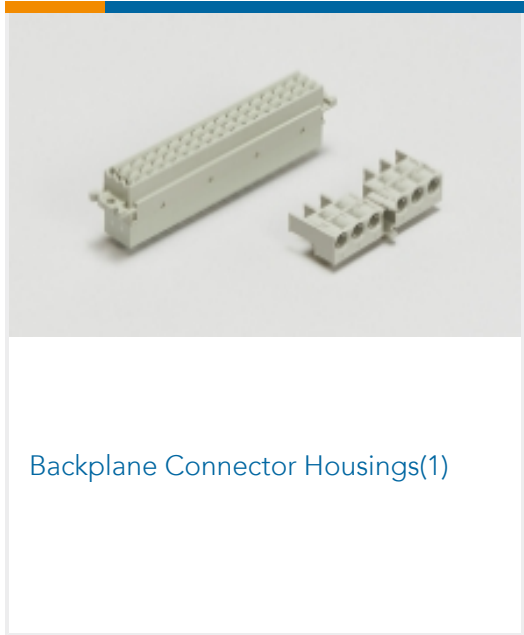
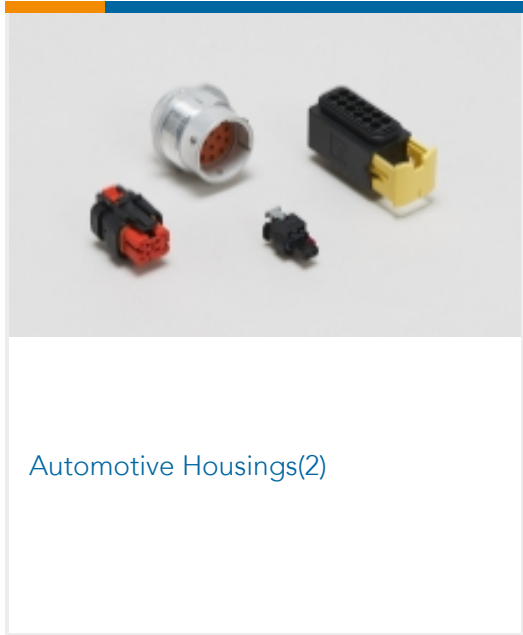
TE Part # 280702-1
AMPMODU CONT.



TE Part # 166309-2
MOD-5 REC.CONTACT



Also in the Series | AMPMODU IV/V



Also in the Series | AMPMODU MOD 1



Automotive Terminals(6)



Board-to-Board Connector Contacts (107)



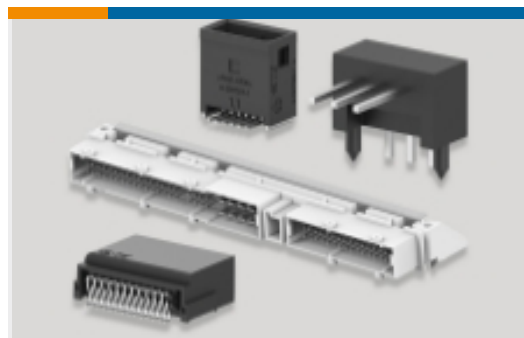
Board-to-Board Jumpers & Shunts(5)



Insertion & Extraction Tools(1)



PCB Connector Keying(2)



PCB Headers & Receptacles(358)

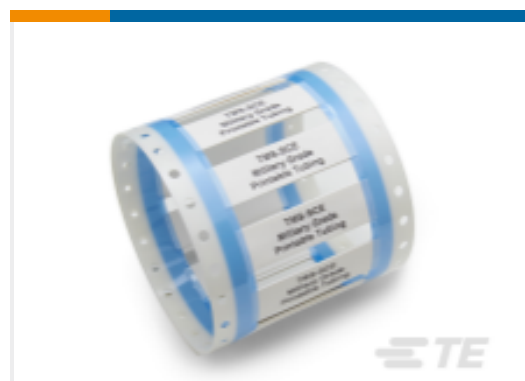


Wire-to-Board Connector Assemblies & Housings(44)



Wire-to-Board Connector Contacts(2)

Customers Also Bought



TE Part #5036070001
TMS-SCE Military Grade Sleeves



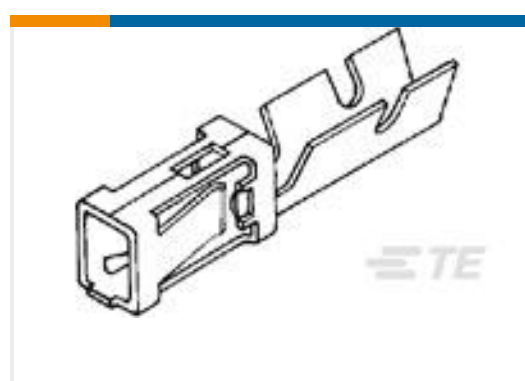
TE Part #CN9930-000
SBP190319WE2.5



TE Part #251895-000
TMS-SCE-2X-1K-1/8-9



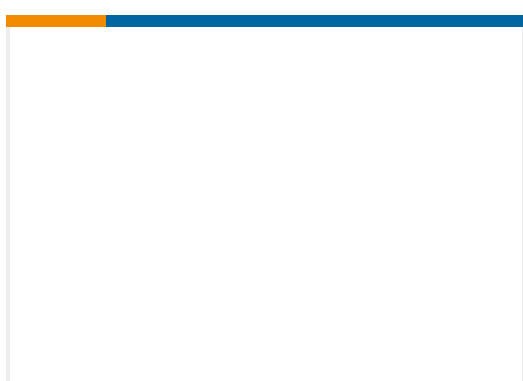
TE Part #YDTS20W19-35PNV001
RECP ASSY



TE Part #102104-2
MOD I RECP LP



TE Part #ZPF000000000007847
983-0YE 08-03 PN



TE Part #371112-000
TMS-SCE-2X-1/2-9

Documents

[Instruction Sheets](#)

[Instruction Sheet \(U.S.\)](#)

English