

829261-8 ✓ ACTIVE

AMPLIMITE | AMPLIMITE Kit

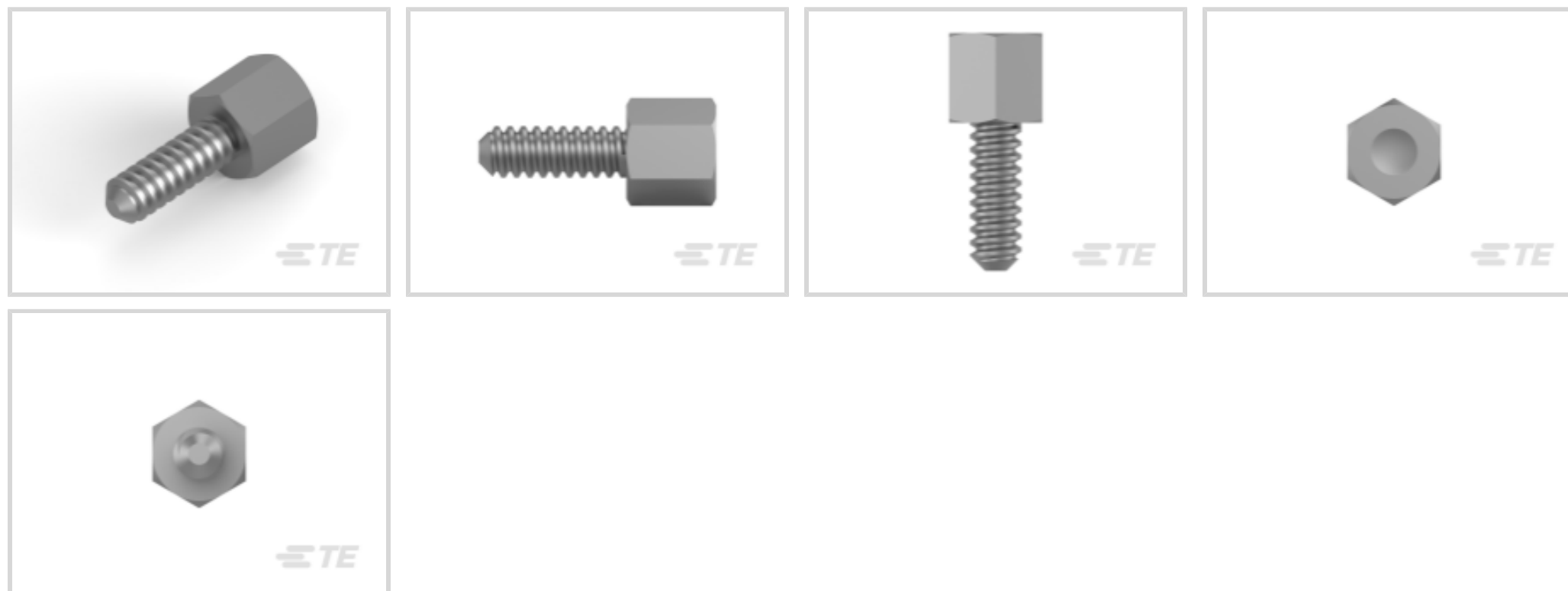
TE Internal #: 829261-8

D-Sub Locking & Mounting, Female Screwlocks, Screw Length 12.7 mm [.5 in], AMPLIMITE Kit

[View on TE.com >](#)



Connectors > D-Shaped Connectors > D-Sub Accessories > D-Sub Locking & Mounting



Connector Mounting Accessory Type: **Female Screwlocks**

Screw Length: **12.7 mm [.5 in]**

## Features

### Product Type Features

Connector Mounting Accessory Type	Female Screwlocks
-----------------------------------	-------------------

### Mechanical Attachment

Screwlock Style	Screwlock Only
Thread Size	4-40 UNC 2A (Male), M3 (Female)
Screw Length	12.7 mm [.5 in]

### Dimensions

Thread Length	7.9 mm [.311 in]
---------------	------------------

### Packaging Features

Packaging Quantity	1000
Packaging Method	Carton

## Product Compliance

[For compliance documentation, visit the product page on TE.com>](#)

EU RoHS Directive 2011/65/EU	Compliant with Exemptions
EU ELV Directive 2000/53/EC	Compliant with Exemptions
China RoHS 2 Directive MIIT Order No 32, 2016	Restricted Materials Above Threshold



EU REACH Regulation (EC) No. 1907/2006

Current ECHA Candidate List: JUNE 2023 (235)

Candidate List Declared Against: JUNE 2023 (235)

SVHC > Threshold:

Pb (3.5% in Component Part)

**Article Safe Usage Statements:**

Do not eat, drink or smoke when using this product. Wash thoroughly after handling. Recycle if possible and dispose of the article by following all applicable governmental regulations relevant to your geographic location.

Halogen Content

Low Halogen - Br, Cl, F, I < 900 ppm per homogenous material. Also BFR/CFR/PVC Free

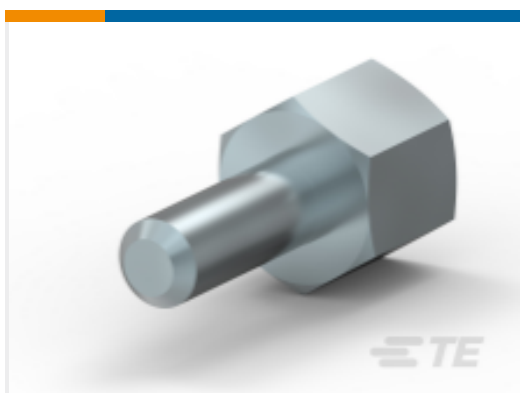
Solder Process Capability

Not applicable for solder process capability

**Product Compliance Disclaimer**

This information is provided based on reasonable inquiry of our suppliers and represents our current actual knowledge based on the information they provided. This information is subject to change. The part numbers that TE has identified as EU RoHS compliant have a maximum concentration of 0.1% by weight in homogenous materials for lead, hexavalent chromium, mercury, PBB, PBDE, DBP, BBP, DEHP, DIBP, and 0.01% for cadmium, or qualify for an exemption to these limits as defined in the Annexes of Directive 2011/65/EU (RoHS2). Finished electrical and electronic equipment products will be CE marked as required by Directive 2011/65/EU. Components may not be CE marked. Additionally, the part numbers that TE has identified as EU ELV compliant have a maximum concentration of 0.1% by weight in homogenous materials for lead, hexavalent chromium, and mercury, and 0.01% for cadmium, or qualify for an exemption to these limits as defined in the Annexes of Directive 2000/53/EC (ELV). Regarding the REACH Regulation, the information TE provides on SVHC in articles for this part number is based on the latest European Chemicals Agency (ECHA) 'Guidance on requirements for substances in articles' posted at this URL: <https://echa.europa.eu/guidance-documents/guidance-on-reach>

## Compatible Parts



TE Part # 5747404-3  
FEMALE SCRLOCK,METRIC,ZN PLTD



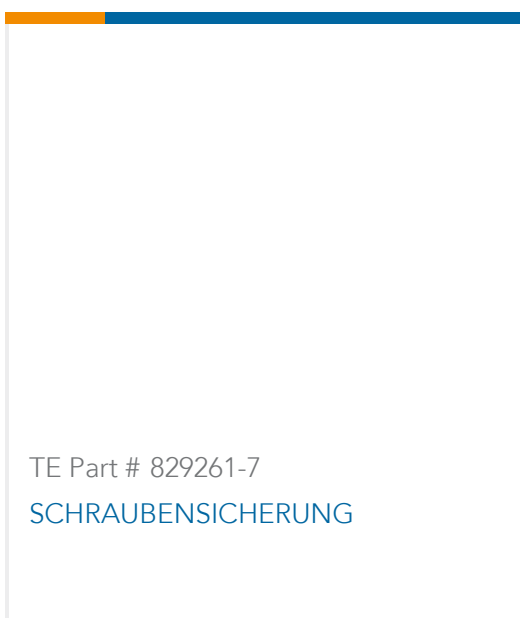
TE Part # 828101-1  
HD-20SCHRAUB-SICHRG



TE Part # 1-828101-1  
HD-20SCHRAUB-SICHRG



TE Part # 173034-1  
SCREW



TE Part # 829261-7  
SCHRAUBENSICHERUNG

Also in the Series | **AMPLIMITE Kit**



Connector Backshells(102)



Connector Strain Relief(30)



D-Sub Contact Accessories(1)

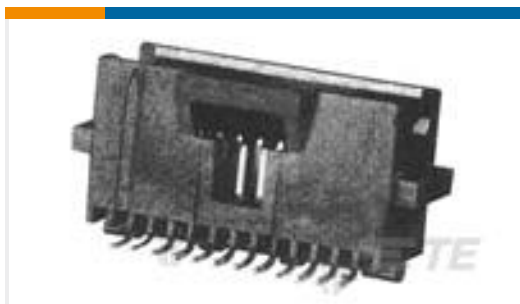


D-Sub Covers(3)



D-Sub Locking &amp; Mounting(119)

## Customers Also Bought

TE Part #5-104549-5  
30 SYS50 S/M HDR DRST SHRDSNTE Part #5-2176230-4  
3522 22K 5% 3WTE Part #4-2176330-9  
CRGP 2010 100K 1%TE Part #4-2176306-3  
RP 1E 0.1W 3K16 0.1% 25PPM 5K RLTE Part #7-1393788-0  
V23079E1205B301TE Part #2-1734741-8  
.5 FPC VT ZIF Type-B 28 CONTTE Part #1879444-1  
TE 100W 1R0 5% BracketTE Part #3742613119  
Speed sen DSD 2520.76 P3HRW-F200G

## Documents

### Product Drawings

[HD FEMALE SCREWLOCK](#)

English

### CAD Files

[Customer View Model](#)

[ENG\\_CVM\\_CVM\\_829261-8\\_J.2d\\_dxf.zip](#)

English

[3D PDF](#)



3D

Customer View Model

[ENG\\_CVM\\_CVM\\_829261-8\\_J.3d\\_igs.zip](#)

English

Customer View Model

[ENG\\_CVM\\_CVM\\_829261-8\\_J.3d\\_stp.zip](#)

English

By downloading the CAD file I accept and agree to the [Terms and Conditions](#) of use.

**Product Environmental Compliance**

[Product Compliance](#)

English

[Product Compliance](#)

English