



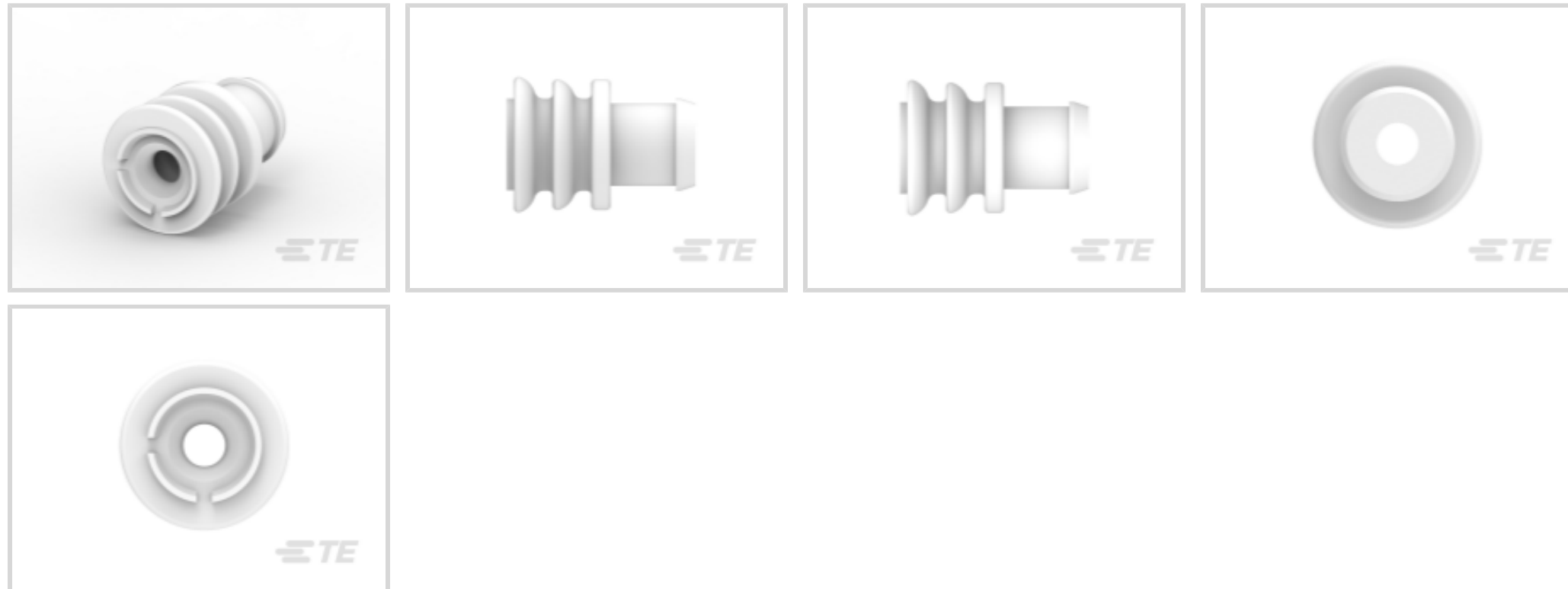
AMP | Timer Connector System

TE Internal #: 828905-1

Single Wire Seal (SWS), Silicone, White, 5.2 mm [.205 in] Cavity Diameter, .118 in [3 mm] Insulation Diameter, Timer Connector System

[View on TE.com >](#)

Connectors > Connector Accessories > Connector Seals & Cavity Plugs



Connector Seal & Plug Type: **Single Wire Seal (SWS)**

Primary Product Material: **Silicone**

Primary Product Color: **White**

Cavity Diameter: **5.2 mm [.205 in]**

Compatible Insulation Diameter Range: **3 mm [.118 in]**

**Features**

**Product Type Features**

Connector Seal & Plug Type	Single Wire Seal (SWS)
----------------------------	------------------------

**Body Features**

Primary Product Material	Silicone
Primary Product Color	White

**Dimensions**

Cavity Diameter	5.2 mm [.205 in]
Compatible Insulation Diameter Range	3 mm [.118 in]

**Usage Conditions**

Operating Temperature (Max)	65 °C, 70 °C, 75 °C, 80 °C, 85 °C, 90 °C, 100 °C, 105 °C, 110 °C, 120 °C, 125 °C, 130 °C [149 °F][158 °F][167 °F][176 °F][185 °F][194 °F][212 °F][221 °F][230 °F][248 °F][257 °F][266 °F]
Operating Temperature Range	-40 – 130 °C [-40 – 266 °F]

**Industry Standards**



UL Flammability Rating	None
------------------------	------

### Other

Resistance to Hydrocarbons	Poor
----------------------------	------

Shore A Hardness	50
------------------	----

Contains Lubricant	Yes
--------------------	-----

## Product Compliance

[For compliance documentation, visit the product page on TE.com>](#)

EU RoHS Directive 2011/65/EU	Compliant
------------------------------	-----------

EU ELV Directive 2000/53/EC	Compliant
-----------------------------	-----------

China RoHS 2 Directive MIIT Order No 32, 2016	No Restricted Materials Above Threshold
---	---

EU REACH Regulation (EC) No. 1907/2006	Current ECHA Candidate List: JUNE 2023 (235) Candidate List Declared Against: JUNE 2023 (235) Does not contain REACH SVHC
--	---

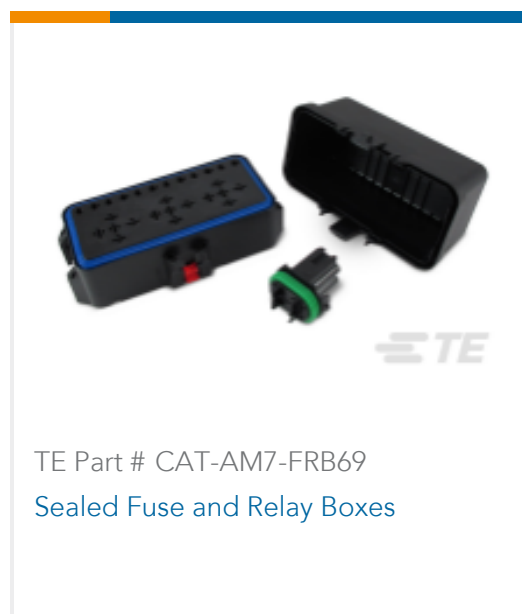
Halogen Content	Low Halogen - Br, Cl, F, I < 900 ppm per homogenous material. Also BFR/CFR/PVC Free
-----------------	---

Solder Process Capability	Not applicable for solder process capability
---------------------------	--

### Product Compliance Disclaimer

This information is provided based on reasonable inquiry of our suppliers and represents our current actual knowledge based on the information they provided. This information is subject to change. The part numbers that TE has identified as EU RoHS compliant have a maximum concentration of 0.1% by weight in homogenous materials for lead, hexavalent chromium, mercury, PBB, PBDE, DBP, BBP, DEHP, DIBP, and 0.01% for cadmium, or qualify for an exemption to these limits as defined in the Annexes of Directive 2011/65/EU (RoHS2). Finished electrical and electronic equipment products will be CE marked as required by Directive 2011/65/EU. Components may not be CE marked. Additionally, the part numbers that TE has identified as EU ELV compliant have a maximum concentration of 0.1% by weight in homogenous materials for lead, hexavalent chromium, and mercury, and 0.01% for cadmium, or qualify for an exemption to these limits as defined in the Annexes of Directive 2000/53/EC (ELV). Regarding the REACH Regulation, the information TE provides on SVHC in articles for this part number is based on the latest European Chemicals Agency (ECHA) 'Guidance on requirements for substances in articles' posted at this URL: <https://echa.europa.eu/guidance-documents/guidance-on-reach>

## Compatible Parts



TE Part # CAT-AM7-FRB69  
Sealed Fuse and Relay Boxes



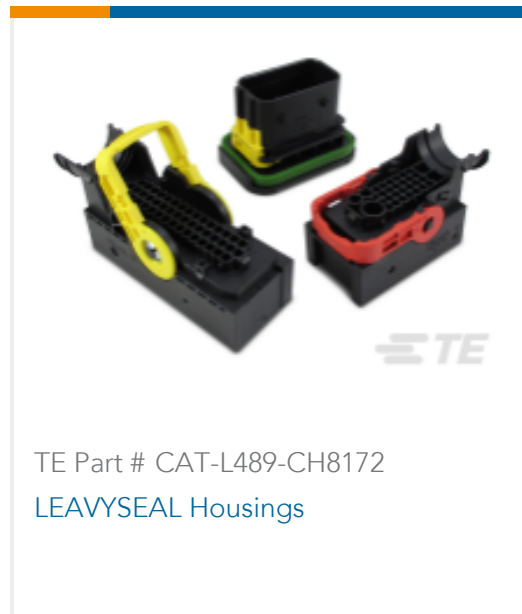
TE Part # CAT-H3399-CH8172  
Heavy Duty Sealed Connector Series  
Housings



TE Part # 1534238-1  
MESSERLEISTE 21P



TE Part # CAT-T4827-CH8172  
Timer Connector Housing



TE Part # CAT-L489-CH8172  
LEAVYSEAL Housings



TE Part # CAT-M9194-CH8172  
MULTILOCK, CONNECTOR HOUSING



TE Part # CAT-AM705-CH8172  
AMP MCP, SEALED CONNECTOR  
HOUSING



TE Part # CAT-AM705-CH8173  
AMP MCP Unsealed Connector  
Housings



TE Part # 58606-1  
PROCrimp 1.5 & 2.5MM PIN/SEAL



TE Part # 109854-1  
COVER WITH SEAL



TE Part # 9-1452380-9  
96 POS. CONNECTOR ASSY



TE Part # 936059-1  
2.8MM SLD 2P PLUG ASSY



TE Part # 2318967-1  
24POS,AMP MCP 2.8,REC HSG ASSY,  
SLD



TE Part # CAT-M8793-CH8172  
MQS, CONNECTOR HOUSING



TE Part # CAT-R7602-T273  
ROUND CONNECTOR SYSTEM, PIN  
AND SOCKET



TE Part # CAT-T4827-T273  
TIMER, RECEPTACLE AND TAB



TE Part # CAT-AM705-T273  
AMP MCP, RECEPTACLE AND TAB



TE Part # CAT-AM706-T273  
AMP MCP, SFC, RECEPTACLE



TE Part # CAT-M4595-T273  
MCON Receptacle and Tab



TE Part # 1443996-4  
COVER, 60 POS, W/O FUSE HLDR/NO  
EXT TEXT

Also in the Series | [Timer Connector System](#)



Automotive Connector Caps & Covers (12)



Automotive Connector Locks & Position Assurance (17)



Automotive Housings (233)



Automotive Terminals (145)



Connector Seals & Cavity Plugs (32)



Crimp Terminal Housings (13)



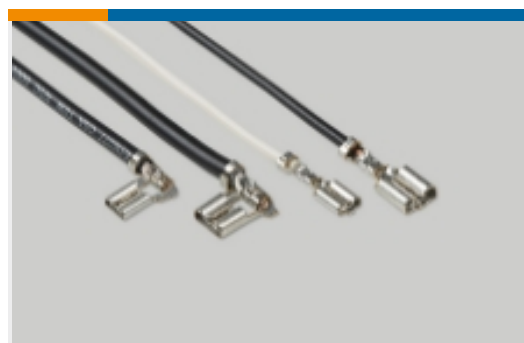
Insertion & Extraction Tools (18)



Other Automotive Connector Accessories (1)

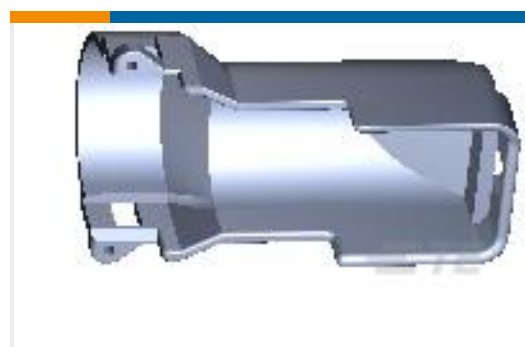


PCB Headers & Receptacles (82)



Quick Disconnects (4)

## Customers Also Bought



TE Part #9-1394050-1  
COVER F.21P REC-HSG



TE Part #185792-1  
180 DEG CAP FOR CORRUGTD TUBE



TE Part #964972-1  
EINZELLEITERDICHTNG



TE Part #963530-1  
EINZELLEITERDICHTNG



TE Part #1-1703818-1  
4POS,TAB 2.8X0.8,TAB HSG,ASSY,



TE Part #1-962915-2  
TIMER, RECEPTACLE AND TAB



TE Part #1-1393303-0  
V23134B0053G242-EV-CBOX



TE Part #8-1768345-1  
LBF-3530089

## Documents



### Product Drawings

[SINGLE-WIRE-SEAL\(5MM HOLE\)](#)

English

[SINGLE-WIRE-SEAL\(5MM HOLE\)](#)

English

[SINGLE-WIRE-SEAL\(5MM HOLE\)](#)

English

[SINGLE-WIRE-SEAL\(5MM HOLE\)](#)

English

[SINGLE-WIRE-SEAL\(5MM HOLE\)](#)

English

---

### CAD Files

Customer View Model

[ENG\\_CVM\\_CVM\\_828905-1\\_J.2d\\_dxf.zip](#)

English

3D PDF

3D

Customer View Model

[ENG\\_CVM\\_CVM\\_828905-1\\_J.3d\\_igs.zip](#)

English

Customer View Model

[ENG\\_CVM\\_CVM\\_828905-1\\_J.3d\\_stp.zip](#)

English

By downloading the CAD file I accept and agree to the [Terms and Conditions](#) of use.

---

### Datasheets & Catalog Pages

[MCON Interconnection System](#)

English

[HDSCS Catalog](#)

English

[CONNECTOR SELECTOR](#)

English

---

### Product Specifications

[Application Specification](#)

English

[APPLICATION SPECIFICATION FOR JUNIOR POWER TIMER CONTACT FOR SINGLE WIRE SEALING](#)

English

[Application Specification](#)

English

[Junior Power Timer Contact Crimped on Tube](#)

English

828905-1

Single Wire Seal (SWS), Silicone, White, 5.2 mm [.205 in] Cavity Diameter, .118 in [3 mm] Insulation Diameter, Timer Connector System

