

828102-1 ✓ ACTIVE

AMPLIMITE | AMPLIMITE Kit

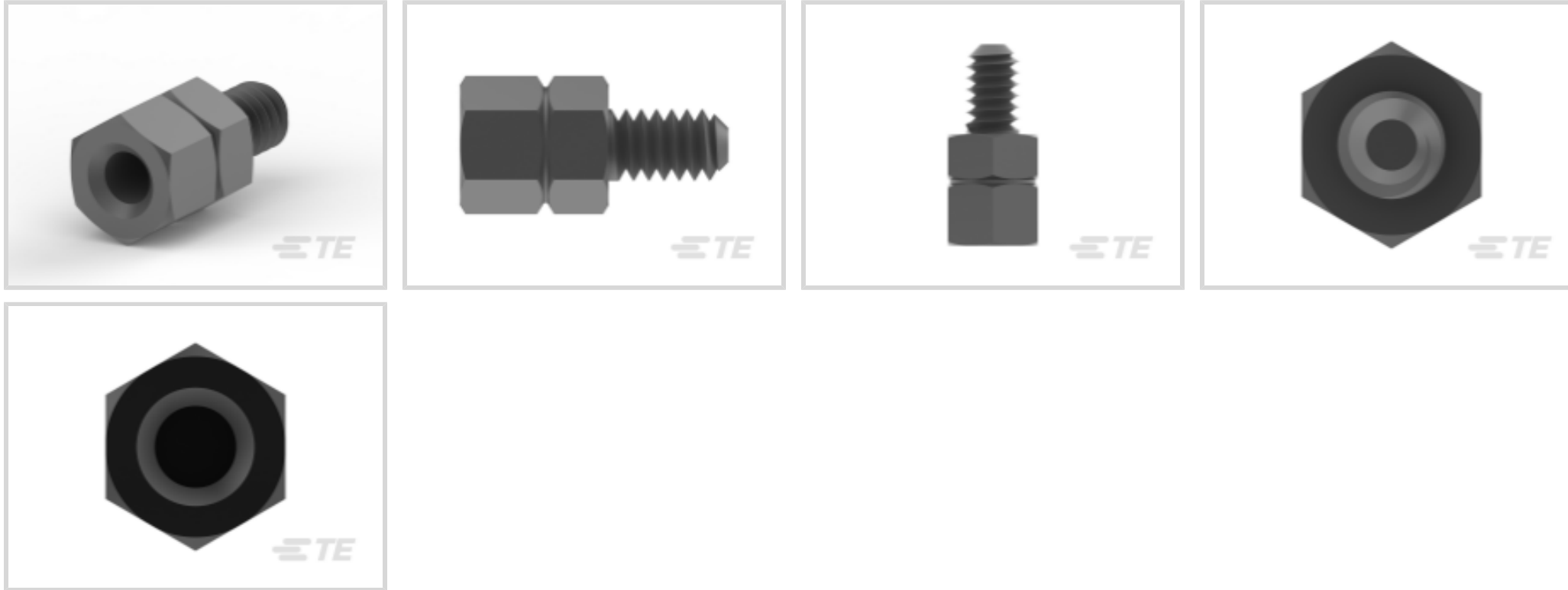
TE Internal #: 828102-1

D-Sub Locking & Mounting, Female Screwlocks, Screw Length 11.2 mm [.44 in], AMPLIMITE Kit

[View on TE.com >](#)



Connectors > D-Shaped Connectors > D-Sub Accessories > D-Sub Locking & Mounting



Connector Mounting Accessory Type: **Female Screwlocks**

Screw Length: **11.2 mm [.44 in]**

Features

Product Type Features

Connector Mounting Accessory Type	Female Screwlocks
-----------------------------------	-------------------

Mechanical Attachment

Screwlock Style	Screwlock Only
Thread Size	4-40 UNC
Screw Length	11.2 mm [.44 in]

Dimensions

Thread Length	5 mm [.197 in]
---------------	----------------

Packaging Features

Packaging Quantity	2000
Packaging Method	Carton

Product Compliance

[For compliance documentation, visit the product page on TE.com>](#)

EU RoHS Directive 2011/65/EU	Compliant with Exemptions
EU ELV Directive 2000/53/EC	Compliant with Exemptions
China RoHS 2 Directive MIIT Order No 32, 2016	Restricted Materials Above Threshold



EU REACH Regulation (EC) No. 1907/2006

Current ECHA Candidate List: JUNE 2023 (235)

Candidate List Declared Against: JUNE 2023 (235)

SVHC > Threshold:

Pb (3.5% in Component Part)

Article Safe Usage Statements:

Do not eat, drink or smoke when using this product. Wash thoroughly after handling. Recycle if possible and dispose of the article by following all applicable governmental regulations relevant to your geographic location.

Halogen Content

Low Halogen - Br, Cl, F, I < 900 ppm per homogenous material. Also BFR/CFR/PVC Free

Solder Process Capability

Not applicable for solder process capability

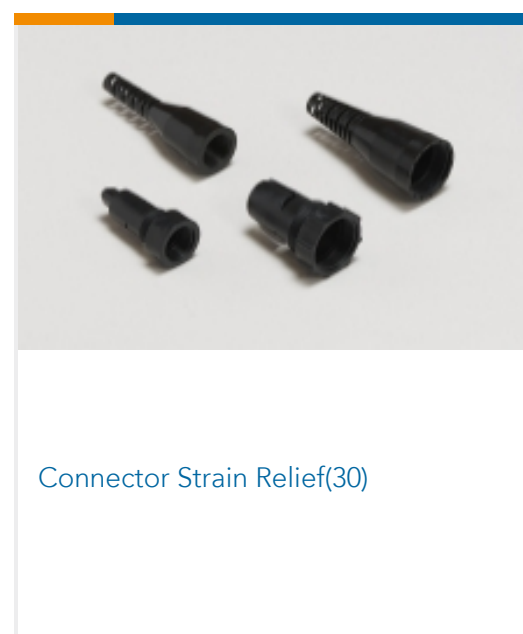
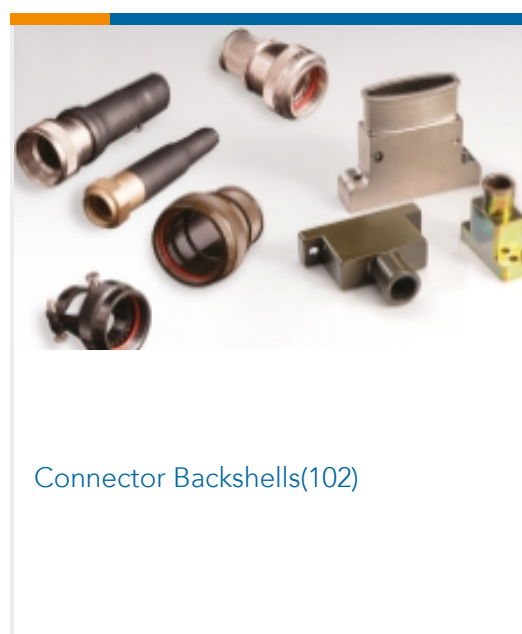
Product Compliance Disclaimer

This information is provided based on reasonable inquiry of our suppliers and represents our current actual knowledge based on the information they provided. This information is subject to change. The part numbers that TE has identified as EU RoHS compliant have a maximum concentration of 0.1% by weight in homogenous materials for lead, hexavalent chromium, mercury, PBB, PBDE, DBP, BBP, DEHP, DIBP, and 0.01% for cadmium, or qualify for an exemption to these limits as defined in the Annexes of Directive 2011/65/EU (RoHS2). Finished electrical and electronic equipment products will be CE marked as required by Directive 2011/65/EU. Components may not be CE marked. Additionally, the part numbers that TE has identified as EU ELV compliant have a maximum concentration of 0.1% by weight in homogenous materials for lead, hexavalent chromium, and mercury, and 0.01% for cadmium, or qualify for an exemption to these limits as defined in the Annexes of Directive 2000/53/EC (ELV). Regarding the REACH Regulation, the information TE provides on SVHC in articles for this part number is based on the latest European Chemicals Agency (ECHA) 'Guidance on requirements for substances in articles' posted at this URL: <https://echa.europa.eu/guidance-documents/guidance-on-reach>

Compatible Parts



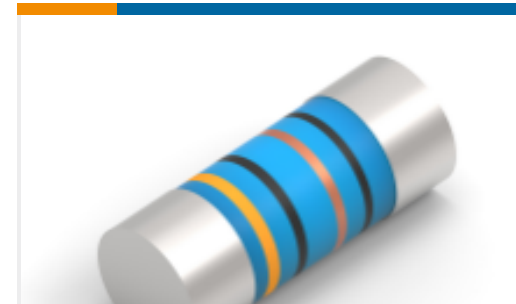
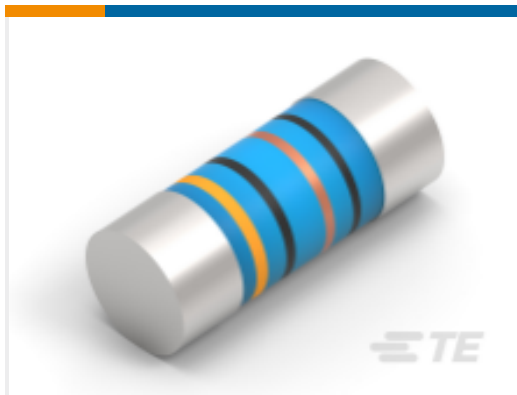
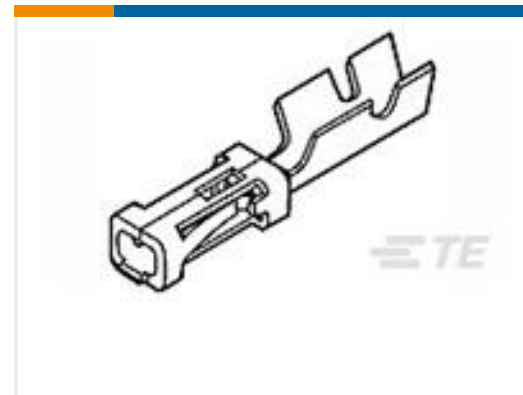
Also in the Series | AMPLIMITE Kit





D-Sub Locking & Mounting(119)

Customers Also Bought

TE Part #1-1625971-1
HSA25 180R 5%TE Part #6-1625868-8
RP 2A 0.25W 26R7 0.1% 25PPM 1K RLTE Part #1-640387-5
15P MTA156 HDR ASSY SQ R/ATE Part #1-2176316-3
MELF SMA_A 1K0 0.1% 15PPM 0207
1WTE Part #1-2176316-5
MELF SMA_A 1K5 0.1% 15PPM 0207
1WTE Part #167024-2
MOD-4 REC.CONT.SCP.TE Part #171819-1
13P MIC CAP HSGTE Part #063387-E
KSG200 25-S 1 * 016 #4 K E 0 * J 2
63387TE Part #CQ10333001
CL105-4X6.00-SO-OCK0456TE Part #CQ10353001
CL105-4X10.00-SO-OCK0456

Documents

Product Drawings

[HD-20SCHRAUB-SICHRG](#)

English

CAD Files

[3D PDF](#)

3D

[Customer View Model](#)

[ENG_CVM_CVM_828102-1_J.2d_dxf.zip](#)



English

Customer View Model

[ENG_CVM_CVM_828102-1_J.3d_igs.zip](#)

English

Customer View Model

[ENG_CVM_CVM_828102-1_J.3d_stp.zip](#)

English

By downloading the CAD file I accept and agree to the [Terms and Conditions](#) of use.

Product Environmental Compliance

[MD_828102-1_04172018329_dmtec](#)

English

[MD_828102-1_04172018329_dmtec](#)

English