



Connectors > Rectangular Connectors > Connector Contacts



Contact Type: **Pin**

Contact Size: **Size 20**

Termination Method to Wire & Cable: **Crimp**

Contact Current Rating (Max): **7.5 A**

### Features

#### Contact Features

Contact Type	Pin
Contact Size	Size 20
Contact Current Rating (Max)	7.5 A

#### Termination Features

Termination Method to Wire & Cable	Crimp
------------------------------------	-------

### Product Compliance

[For compliance documentation, visit the product page on TE.com>](#)

EU RoHS Directive 2011/65/EU	Compliant
EU ELV Directive 2000/53/EC	Compliant with Exemptions
China RoHS 2 Directive MIIT Order No 32, 2016	No Restricted Materials Above Threshold
EU REACH Regulation (EC) No. 1907/2006	Current ECHA Candidate List: JUNE 2023 (235) Candidate List Declared Against: JUL 2021 (219) SVHC > Threshold: Pb (1.2% in Contact Lead-Copper Alloy) <b>Article Safe Usage Statements:</b> Do not eat, drink or smoke when using this product. Wash thoroughly after handling. Recycle if possible and dispose of the article by following all applicable governmental regulations relevant to your geographic location.
Halogen Content	Low Halogen - Br, Cl, F, I < 900 ppm per homogenous material. Also BFR/CFR/PVC Free
Solder Process Capability	Not reviewed for solder process capability

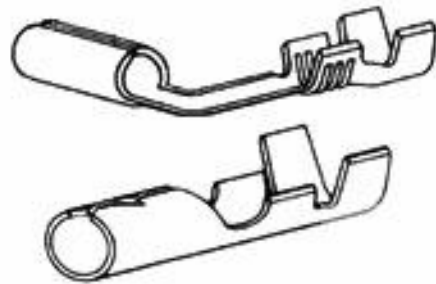
Product Compliance Disclaimer

This information is provided based on reasonable inquiry of our suppliers and represents our current actual knowledge based on the information they provided. This information is subject to change. The part numbers that TE has identified as EU RoHS compliant have a maximum concentration of 0.1% by weight in homogenous materials for lead, hexavalent chromium, mercury, PBB, PBDE, DBP, BBP, DEHP, DIBP, and 0.01% for cadmium, or qualify for an exemption to these limits as defined in the Annexes of Directive 2011/65/EU (RoHS2). Finished electrical and electronic equipment products will be CE marked as required by Directive 2011/65/EU. Components may not be CE marked. Additionally, the part numbers that TE has identified as EU ELV compliant have a maximum concentration of 0.1% by weight in homogenous materials for lead, hexavalent chromium, and mercury, and 0.01% for cadmium, or qualify for an exemption to these limits as defined in the Annexes of Directive 2000/53/EC (ELV). Regarding the REACH Regulation, the information TE provides on SVHC in articles for this part number is based on the latest European Chemicals Agency (ECHA) 'Guidance on requirements for substances in articles' posted at this URL: <https://echa.europa.eu/guidance-documents/guidance-on-reach>

### Customers Also Bought



TE Part #T4110012041-000  
M12 F, 4P GOLD A\_CODE S  
SHIELDED PG9



TE Part #42581-2  
SHUR PLUG 156 RECEPTACLE 22-18  
AWG TPBR



TE Part #51864-9  
TERMINAL,PIDG R IR 14 10



TE Part #201224-7  
34 PLACE STRAIN REL. CLAMP




TE Part #5225395-6  
BNC PLUG DUAL CP RG142



TE Part #225555-6  
TNC PLUG DUAL W/P TR



TE Part #0076930001  
CM-SCE-1/2-4H-9



TE Part #2-1616338-4  
50407370=NUT 3/8-24 9/16-HEX 2