



Sensors > Vibration Sensors



Accelerometer Type: **3-Wire Voltage**

Vibration Sensor Product Type: **AC Response Embedded Accelerometers**

Number of Sensing Axes: **Uniaxial**

Frequency Response: **1 to 8000 Hz**

Full Scale Output Voltage: **±2 VDC**

Features

Product Type Features

Accelerometer Type	3-Wire Voltage
Vibration Sensor Product Type	AC Response Embedded Accelerometers

Electrical Characteristics

Excitation Voltage	3 – 5.5 VDC
Full Scale Output Voltage	±2 VDC

Signal Characteristics

Frequency Response	1 to 8000 Hz
--------------------	--------------

Body Features

Product Weight	5 g [.17 oz]
Primary Product Material	Stainless Steel
Number of Sensing Axes	Uniaxial

Mechanical Attachment

Mounting Type	Adhesive
---------------	----------

Usage Conditions

Operating Temperature Range	-40 – 100 °C [-40 – 212 °F]
-----------------------------	-----------------------------

Other

Nonlinearity	±1 %FSO
--------------	---------

Acceleration Range (\pm)	20 g
Sensitivity	100 mV/g

Product Compliance

[For compliance documentation, visit the product page on TE.com>](#)

EU RoHS Directive 2011/65/EU	Compliant with Exemptions
EU ELV Directive 2000/53/EC	Compliant with Exemptions
China RoHS 2 Directive MIIT Order No 32, 2016	Restricted Materials Above Threshold
EU REACH Regulation (EC) No. 1907/2006	Current ECHA Candidate List: JUNE 2023 (235) Candidate List Declared Against: JAN 2023 (233) Does not contain REACH SVHC
Halogen Content	Not Yet Reviewed for halogen content
Solder Process Capability	Not reviewed for solder process capability

Product Compliance Disclaimer

This information is provided based on reasonable inquiry of our suppliers and represents our current actual knowledge based on the information they provided. This information is subject to change. The part numbers that TE has identified as EU RoHS compliant have a maximum concentration of 0.1% by weight in homogenous materials for lead, hexavalent chromium, mercury, PBB, PBDE, DBP, BBP, DEHP, DIBP, and 0.01% for cadmium, or qualify for an exemption to these limits as defined in the Annexes of Directive 2011/65/EU (RoHS2). Finished electrical and electronic equipment products will be CE marked as required by Directive 2011/65/EU. Components may not be CE marked. Additionally, the part numbers that TE has identified as EU ELV compliant have a maximum concentration of 0.1% by weight in homogenous materials for lead, hexavalent chromium, and mercury, and 0.01% for cadmium, or qualify for an exemption to these limits as defined in the Annexes of Directive 2000/53/EC (ELV). Regarding the REACH Regulation, the information TE provides on SVHC in articles for this part number is based on the latest European Chemicals Agency (ECHA) 'Guidance on requirements for substances in articles' posted at this URL: <https://echa.europa.eu/guidance-documents/guidance-on-reach>

Compatible Parts



Also in the Series | [MEAS 805](#)



Vibration Sensors(14)

Customers Also Bought



TE Part #5227726-2
ISOLATED BNC SOLDER JACK ASSY



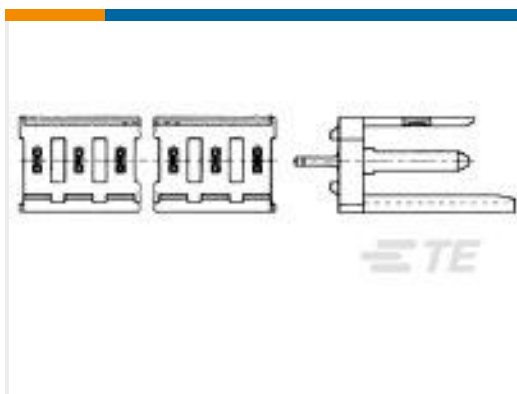
TE Part #T4013008031-000
M8,SCREW, MALE,R/A,UNSHIELD,3P,
GOLD



TE Part #2-331272-6
SOCKET,MIN-SPR AU SER-2



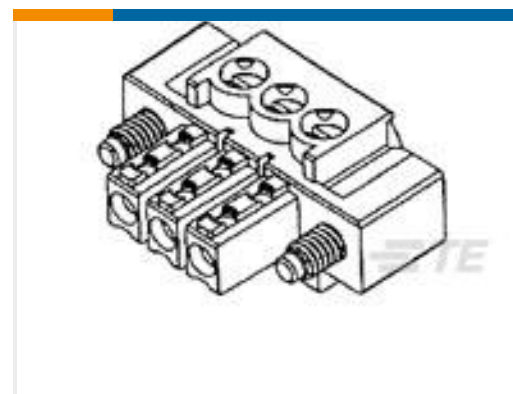
TE Part #1879453-1
TE 1000W 1R0 5% Bracket



TE Part #280616-2
MOD I INCREMENTAL ASSY



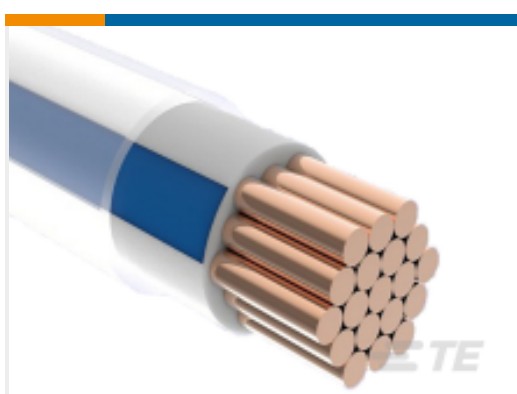
TE Part #5-146280-2
02 MODII HDR SRST B/A .100CL



TE Part #284510-2
2P TERMI-BLOK PLUG CON VITI



TE Part #805-0050-01
805-0050-01 TO-5 Accelerometer



TE Part #5899143001
ACW0219-0.75-0(NS)



TE Part #805-0500
805-0500 TO-5 Accelerometer

Documents

CAD Files

3D PDF

3D

Customer View Model

[ENG_CVM_CVM_805M1-0020_M.2d_dxf.zip](#)

English

Customer View Model

[ENG_CVM_CVM_805M1-0020_M.3d_igs.zip](#)



English

Customer View Model

[ENG_CVM_CVM_805M1-0020_M.3d_stp.zip](#)

English

By downloading the CAD file I accept and agree to the [Terms and Conditions](#) of use.

Datasheets & Catalog Pages

[805M1_Accelerometer](#)

English