

8-640907-1 ✓ ACTIVE

FASTON | FASTON 250

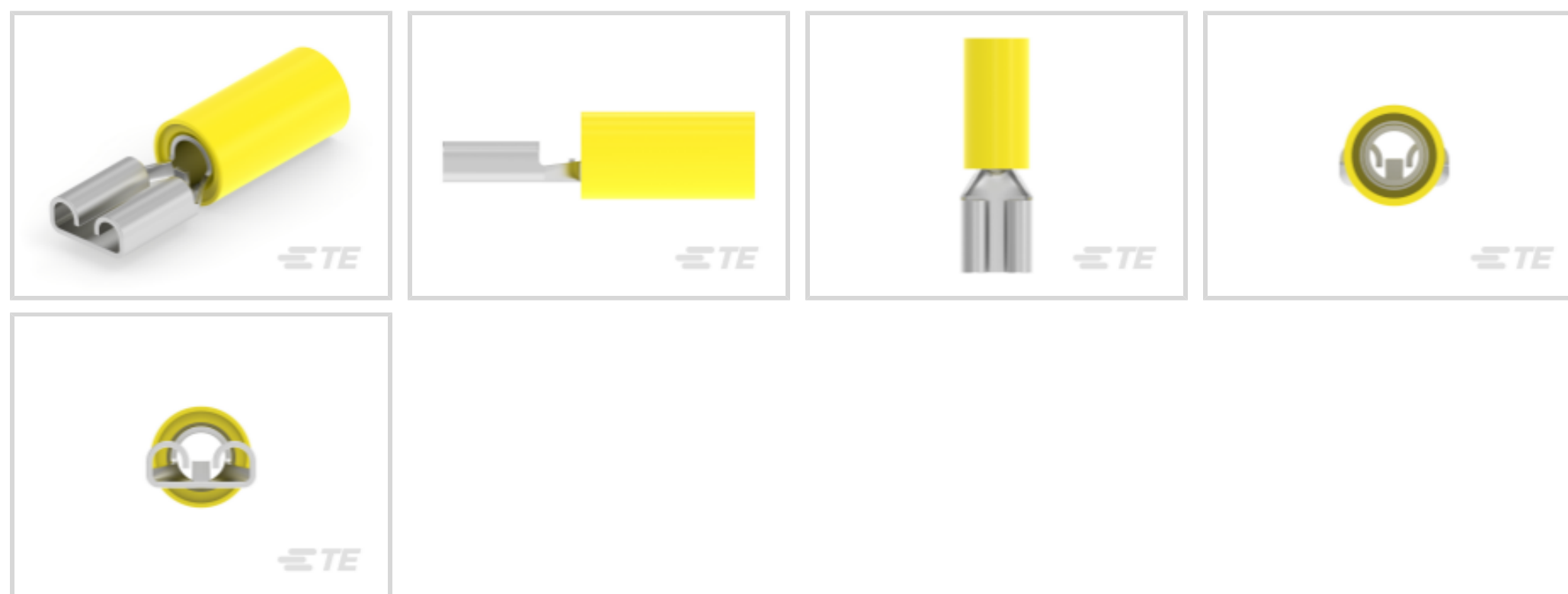
TE Internal #: 8-640907-1

Quick Disconnects, Receptacle, 12 – 10 AWG Wire Size, 2.62 – 6.64 mm² Wire Size, 5180 – 13100 CMA Wire Size, FASTON 250

[View on TE.com >](#)



Terminals & Splices > Quick Disconnects



Quick Disconnect Terminal Type: **Receptacle**

Wire Size: **5180 – 13100 CMA**

Mating Tab Width: **6.35 mm [.25 in]**

Features

Product Type Features

Terminal Features

Wire Stop

Insertion Force

Normal

Electrical Characteristics

Voltage Rating

300 V

Body Features

Insulation Material

Nylon

Contact Features

Quick Disconnect Terminal Type

Receptacle

Mating Tab Width

6.35 mm [.25 in]

Mating Tab Thickness

.81 mm [.032 in]

Terminal Orientation

Straight

Contact Base Material

Brass

Terminal Plating Material

Tin

Crimp Type

Compression

Barrel Type

Closed

Termination Features



Product Terminates To	Wire & Cable
-----------------------	--------------

Mechanical Attachment

Wire Insulation Support	With
Mating Retention Type	Dimple

Dimensions

Terminal Material Thickness	.46 mm[.018 in]
Product Length	25.75 mm[1.012 in]
Compatible Insulation Diameter Range	6.35 mm[.25 in]
Wire Size	5180 – 13100 CMA

Usage Conditions

Insulation Option	Partially Insulated
Operating Temperature Range	105 °C[221 °F]

Industry Standards

Agency/Standard	CSA, RU (UL Component Program)
-----------------	--------------------------------

Packaging Features

Packaging Quantity	100
Packaging Method	Loose Piece

Other

Barrel Color	Yellow
--------------	--------

Product Compliance

[For compliance documentation, visit the product page on TE.com>](#)

EU RoHS Directive 2011/65/EU	Compliant
EU ELV Directive 2000/53/EC	Compliant
China RoHS 2 Directive MIIT Order No 32, 2016	No Restricted Materials Above Threshold
EU REACH Regulation (EC) No. 1907/2006	Current ECHA Candidate List: JUNE 2023 (235) Candidate List Declared Against: JUNE 2023 (235) Does not contain REACH SVHC
Halogen Content	Low Halogen - Br, Cl, F, I < 900 ppm per homogenous material. Also BFR/CFR/PVC Free
Solder Process Capability	Not applicable for solder process capability

Product Compliance Disclaimer

This information is provided based on reasonable inquiry of our suppliers and represents our current actual knowledge based on the information they provided. This information is subject to change. The part numbers that TE has identified as EU RoHS compliant have a maximum concentration of 0.1% by weight in homogenous materials for lead, hexavalent chromium, mercury, PBB, PBDE, DBP, BBP, DEHP, DIBP, and 0.01% for cadmium, or qualify for an exemption to these limits as defined in the Annexes of Directive 2011/65/EU (RoHS2). Finished electrical and electronic equipment products will be CE marked as required by Directive 2011/65/EU. Components may not be CE marked. Additionally, the part numbers that TE has identified as EU ELV compliant have a maximum concentration of 0.1% by weight in homogenous materials for lead, hexavalent chromium, and mercury, and 0.01% for cadmium, or qualify for an exemption to these limits as defined in the Annexes of Directive 2000/53/EC (ELV). Regarding the REACH Regulation, the information TE provides on SVHC in articles for this part number is based on the latest European Chemicals Agency (ECHA) 'Guidance on requirements for substances in articles' posted at this URL: <https://echa.europa.eu/guidance-documents/guidance-on-reach>

Compatible Parts



TE Part # 59824-1
TETRA-CRIMP PIDG PG FASTON 22-10 ASSY



TE Part # 2323802-1
SSRMP-240D25 = Mini Puck,25A,240V AC



TE Part # 2323802-4
SSRMP-480D25 = Mini Puck,25A,480V AC



TE Part # 2323802-7
SSRMP-240D25R = Mini Puck,25A,240V AC,R




TE Part # 1-2323802-1
SSRMP SERES,Mini Puk,25A,480VAC,R-DC I/P

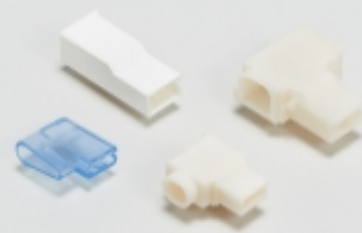


TE Part # 1SET191002R0000
TET CRIMP-HT


Also in the Series | FASTON 250



Compression Connectors(4)



Crimp Terminal Housings(142)



Insertion & Extraction Tools(6)



Magnet Wire Terminals(1)



PCB Terminals(135)



Quick Disconnects(445)

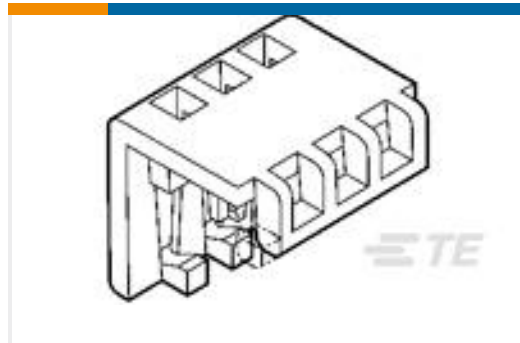


Splices(4)

Customers Also Bought



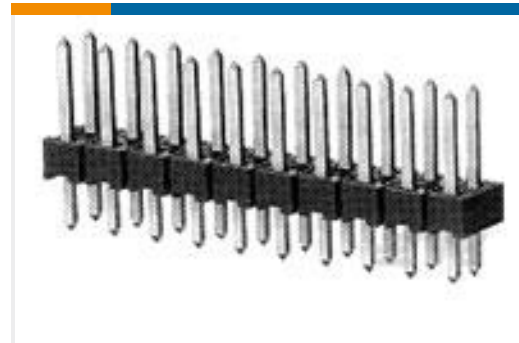
TE Part #5749111-8
100 50SR CABLE PLUG ASSY



TE Part #643075-8
08P MTA100 MOLDED COVER



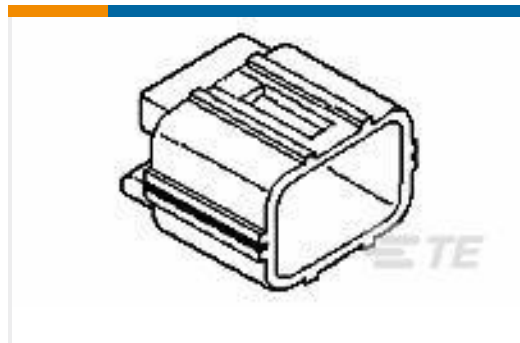
TE Part #3-1625984-3
HSA50 22R 5%



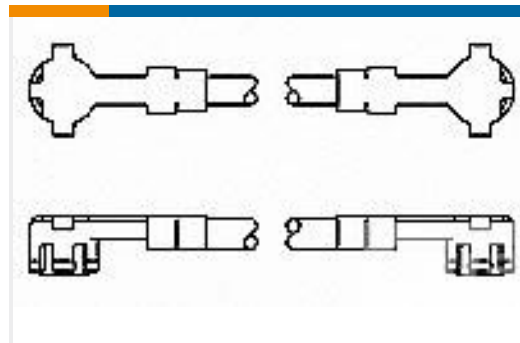
TE Part #9-146256-0
80 MODII HDR DRST B/A .100CL LF



TE Part #1879233-7
SMW5 R18 5%



TE Part #1-174355-1
E-J MK-2 CAP HSG 2P NATURAL



TE Part #1064522-1
9960 1050 24



TE Part #L9000269-01
SMA Jack 50 Ohm .062 PCB Edge Mount



TE Part #1423696-6
NUT,M11-1,HEX,14.0,STEEL

Documents

Product Drawings

[RECEPT,PIDG FASTON 12-10 250](#)

English

CAD Files

Customer View Model

[ENG_CVM_CVM_8-640907-1_J.2d_dxf.zip](#)

English

[3D PDF](#)



3D

Customer View Model

[ENG_CVM_CVM_8-640907-1_J.3d_igs.zip](#)

English

Customer View Model

[ENG_CVM_CVM_8-640907-1_J.3d_stp.zip](#)

English

By downloading the CAD file I accept and agree to the [Terms and Conditions](#) of use.

Product Specifications

[Application Specification](#)

English

Product Environmental Compliance

[Product Compliance Document](#)

English

[Product Compliance Document](#)

English

Agency Approvals

[CSA Certificate](#)

English