

8-640903-1 ✓ ACTIVE

FASTON | FASTON 250

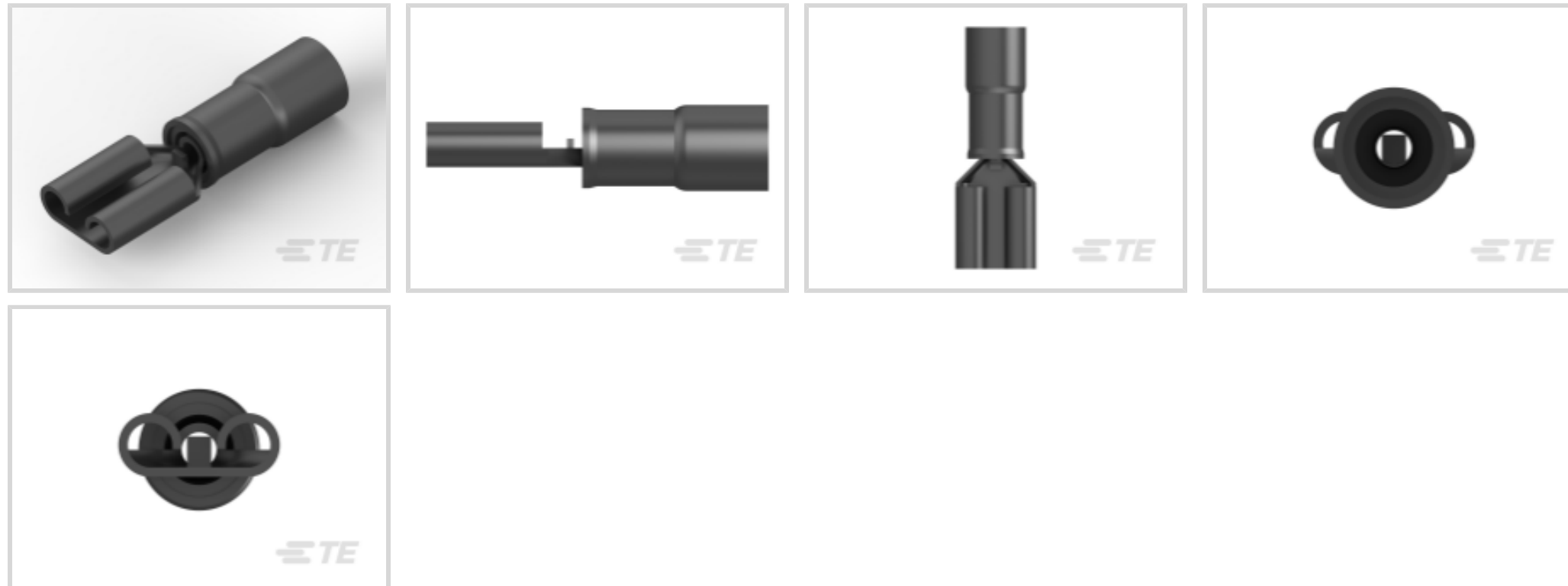
TE Internal #: 8-640903-1

Quick Disconnects, Receptacle, 22 – 18 AWG Wire Size, .26 – .96 mm<sup>2</sup> Wire Size, 509 – 1900 CMA Wire Size, Mating Tab Width 6.35 mm [.25 in], FASTON 250

[View on TE.com >](#)



Terminals & Splices > Quick Disconnects



Quick Disconnect Terminal Type: **Receptacle**

Wire Size: **509 – 1900 CMA**

Mating Tab Width: **6.35 mm [.25 in]**

## Features

### Product Type Features

Terminal Features	Wire Stop
Insertion Force	Normal

### Electrical Characteristics

Voltage Rating	300 V
----------------	-------

### Body Features

Insulation Material	Nylon
---------------------	-------

### Contact Features

Quick Disconnect Terminal Type	Receptacle
Mating Tab Width	6.35 mm [.25 in]
Mating Tab Thickness	.81 mm [.032 in]
Terminal Orientation	Straight
Contact Base Material	Brass
Terminal Plating Material	Tin
Crimp Type	Compression
Barrel Type	Closed



### Termination Features

Product Terminates To	Wire & Cable
-----------------------	--------------

### Mechanical Attachment

Wire Insulation Support	With
Mating Retention Type	Dimple

### Dimensions

Product Length	22.86 mm[.9 in]
Compatible Insulation Diameter Range	3.56 mm[.14 in]
Wire Size	509 – 1900 CMA

### Usage Conditions

Insulation Option	Partially Insulated
Operating Temperature Range	105 °C[221 °F]

### Industry Standards

Agency/Standard	CSA, RU (UL Component Program)
-----------------	--------------------------------

### Packaging Features

Packaging Quantity	100
Packaging Method	Loose Piece

### Other

Barrel Color	Red
--------------	-----

### Product Compliance

[For compliance documentation, visit the product page on TE.com>](#)

EU RoHS Directive 2011/65/EU	Compliant
EU ELV Directive 2000/53/EC	Compliant
China RoHS 2 Directive MIIT Order No 32, 2016	No Restricted Materials Above Threshold
EU REACH Regulation (EC) No. 1907/2006	Current ECHA Candidate List: JUNE 2023 (235) Candidate List Declared Against: JUNE 2023 (235) Does not contain REACH SVHC
Halogen Content	Low Halogen - Br, Cl, F, I < 900 ppm per homogenous material. Also BFR/CFR/PVC Free
Solder Process Capability	Not applicable for solder process capability

Product Compliance Disclaimer

This information is provided based on reasonable inquiry of our suppliers and represents our current actual knowledge based on the information they provided. This information is subject to change. The part numbers that TE has identified as EU RoHS compliant have a maximum concentration of 0.1% by weight in homogenous materials for lead, hexavalent chromium, mercury, PBB, PBDE, DBP, BBP, DEHP, DIBP, and 0.01% for cadmium, or qualify for an exemption to these limits as defined in the Annexes of Directive 2011/65/EU (RoHS2). Finished electrical and electronic equipment products will be CE marked as required by Directive 2011/65/EU. Components may not be CE marked. Additionally, the part numbers that TE has identified as EU ELV compliant have a maximum concentration of 0.1% by weight in homogenous materials for lead, hexavalent chromium, and mercury, and 0.01% for cadmium, or qualify for an exemption to these limits as defined in the Annexes of Directive 2000/53/EC (ELV). Regarding the REACH Regulation, the information TE provides on SVHC in articles for this part number is based on the latest European Chemicals Agency (ECHA) 'Guidance on requirements for substances in articles' posted at this URL: <https://echa.europa.eu/guidance-documents/guidance-on-reach>

## Compatible Parts



TE Part # 59824-1  
TETRA-CRIMP PIDG PG FASTON 22-10 ASSY



TE Part # 47386-4  
DAHT PG PIDG 26-16 ASSY



TE Part # 58423-1  
DIE, RBY IS9252



TE Part # 58433-3  
PRO CR ASSY, RBY IS9252



TE Part # 90035-3  
DAHT PIDG FASTON 22-18 ASSY




TE Part # 1SET191001R0000  
CRIMP-HT




TE Part # 1SET191002R0000  
TET CRIMP-HT


## Also in the Series | FASTON 250



Compression Connectors(4)



Crimp Terminal Housings(142)



Insertion & Extraction Tools(6)



Magnet Wire Terminals(1)



PCB Terminals(135)

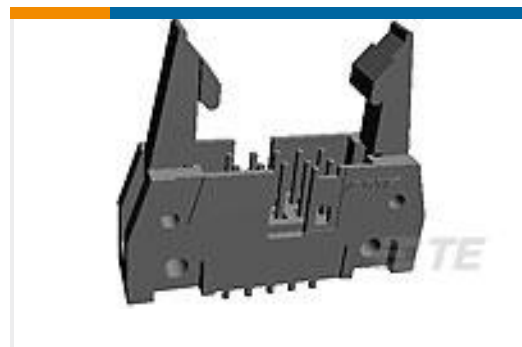


Quick Disconnects(445)



Splices(4)

## Customers Also Bought



TE Part #5102321-8  
A/L UNIV HDR 34P VERT LG LAT



TE Part #66601-8  
III+ SKT,18-14,30AU/FL,SMPACK



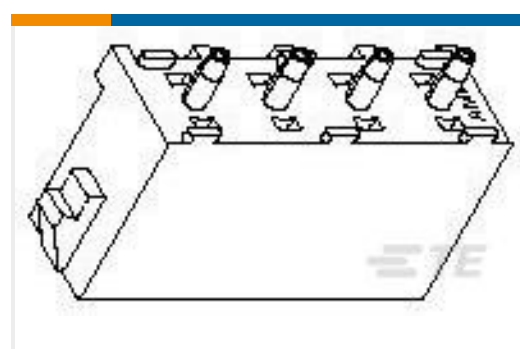
TE Part #2-1393115-7  
KUL-11A15S-24=KU



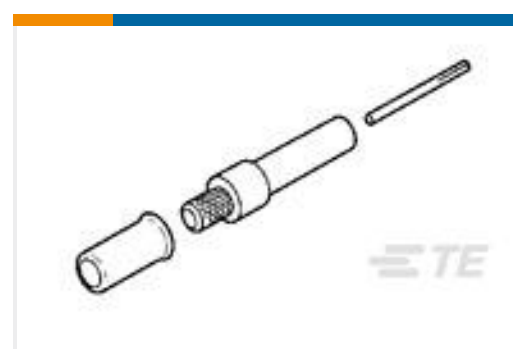
TE Part #1676144-2  
RN 0805 102K 0.1% 10PPM 1KRL



TE Part #1676262-2  
RN 0805 23K7 0.1% 10PPM 1KRL



TE Part #1586963-1  
04P UMNL PIN HDR ASSY, GW



TE Part #225790-5  
ARINC COAXICON PIN SIZE 5



TE Part #US331-000005-015PA  
PRESS XDCR US331-000005-015PA

## Documents

### Product Drawings

[RECEPT,PIDG FASTON 22-18 250](#)

English

### CAD Files

[3D PDF](#)

English

Customer View Model

[ENG\\_CVM\\_8-640903-1\\_J1.2d\\_dxf.zip](#)

English

Customer View Model

[ENG\\_CVM\\_8-640903-1\\_J1.3d\\_igs.zip](#)

English

Customer View Model

[ENG\\_CVM\\_8-640903-1\\_J1.3d\\_stp.zip](#)

English

[3D PDF](#)



3D

Customer View Model

[ENG\\_CVM\\_CVM\\_8-640903-1\\_J.2d\\_dxf.zip](#)

English

Customer View Model

[ENG\\_CVM\\_CVM\\_8-640903-1\\_J.3d\\_igs.zip](#)

English

Customer View Model

[ENG\\_CVM\\_CVM\\_8-640903-1\\_J.3d\\_stp.zip](#)

English

By downloading the CAD file I accept and agree to the [Terms and Conditions](#) of use.

---

### Product Specifications

[Application Specification](#)

English

---

### Product Environmental Compliance

[MD\\_8-640903-1\\_031620181232\\_dmtec](#)

English

[MD\\_8-640903-1\\_031620181232\\_dmtec](#)

English

---

### Agency Approvals

[CSA Certificate](#)

English