

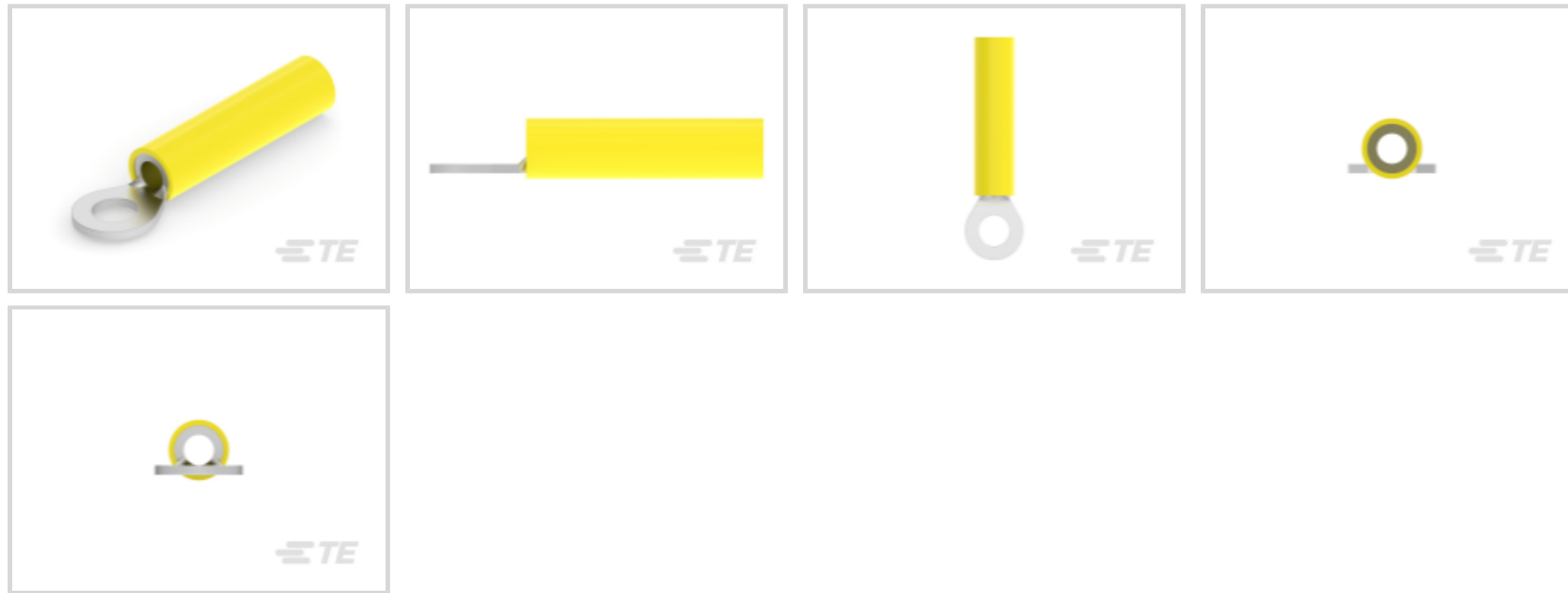
TE Internal #: 8-55857-3

Closed Ring Tongue Terminal, 12 – 10 AWG, #10 Stud Size, 4.82 mm [.19 in / .189 in] Stud Diameter, Closed Barrel, Straight, Tin, Partially Insulated

[View on TE.com >](#)



Terminals & Splices > Ring Terminals



Ring Terminal Product Type: **Closed Ring Tongue Terminal**

Wire Size: **5180 – 13100 CMA**

Stud Size: **#10**

Features

Product Type Features

| | |
|--|-----------------------------|
| Terminal Features | Heavy Duty |
| Ring Terminal Product Type | Closed Ring Tongue Terminal |
| Stud Size | #10 |
| Sealable | Yes |
| Wire Insulation Support Retention Type | Insulation Support |

Electrical Characteristics

| | |
|----------------|---------------|
| Voltage Rating | 1000 V, 600 V |
|----------------|---------------|

Contact Features

| | |
|---------------------------|----------|
| Barrel Type | Closed |
| Terminal Orientation | Straight |
| Terminal Plating Material | Tin |

Mechanical Attachment

| | |
|-------------------------|------|
| Wire Insulation Support | With |
|-------------------------|------|

Dimensions

| | |
|---------------|----------------------------|
| Wire Size | 5180 – 13100 CMA |
| Stud Diameter | 4.82 mm [.189 in] [.19 in] |



| | |
|--------------------------------------|--------------------|
| Tongue Thickness | 1.07 mm[.042 in] |
| Product Length | 35.76 mm[1.405 in] |
| Compatible Insulation Diameter (Max) | 6.1 mm[.24 in] |
| Compatible Insulation Diameter Range | 6.1 mm[.24 in] |

Usage Conditions

| | |
|-----------------------------|---------------------|
| Insulation Option | Partially Insulated |
| Operating Temperature Range | 125 °C[257 °F] |

Operation/Application

| | |
|---------------------------------------|--------|
| Compatible With Wire Base Material | Copper |
| Compatible With Wire Plating Material | Tin |

Industry Standards

| | |
|-------------------------------|----|
| Government Qualified Terminal | No |
|-------------------------------|----|

Packaging Features

| | |
|--------------------|-------------|
| Packaging Quantity | 25 |
| Packaging Method | Loose Piece |

Product Compliance

[For compliance documentation, visit the product page on TE.com>](#)

| | |
|---|---|
| EU RoHS Directive 2011/65/EU | Compliant |
| EU ELV Directive 2000/53/EC | Compliant |
| China RoHS 2 Directive MIIT Order No 32, 2016 | No Restricted Materials Above Threshold |
| EU REACH Regulation (EC) No. 1907/2006 | Current ECHA Candidate List: JUNE 2023 (235) Candidate List Declared Against: JUNE 2023 (235) Does not contain REACH SVHC |
| Halogen Content | Low Halogen - Br, Cl, F, I < 900 ppm per homogenous material. Also BFR/CFR/PVC Free |
| Solder Process Capability | Not applicable for solder process capability |

Product Compliance Disclaimer

This information is provided based on reasonable inquiry of our suppliers and represents our current actual knowledge based on the information they provided. This information is subject to change. The part numbers that TE has identified as EU RoHS compliant have a maximum concentration of 0.1% by weight in homogenous materials for lead, hexavalent chromium, mercury, PBB, PBDE, DBP, BBP, DEHP, DIBP, and 0.01% for cadmium, or qualify for an exemption to these limits as defined in the Annexes of Directive 2011/65/EU (RoHS2). Finished electrical and electronic equipment products

will be CE marked as required by Directive 2011/65/EU. Components may not be CE marked. Additionally, the part numbers that TE has identified as EU ELV compliant have a maximum concentration of 0.1% by weight in homogenous materials for lead, hexavalent chromium, and mercury, and 0.01% for cadmium, or qualify for an exemption to these limits as defined in the Annexes of Directive 2000/53/EC (ELV). Regarding the REACH Regulation, the information TE provides on SVHC in articles for this part number is based on the latest European Chemicals Agency (ECHA) 'Guidance on requirements for substances in articles' posted at this URL: <https://echa.europa.eu/guidance-documents/guidance-on-reach>

Compatible Parts



TE Part # 55857-1
 12-10 PRE-INSUL SEALED TERM R

TE Part # 55893-1
 CRIMP.TOOL 22-10(SEALED PROD.)

TE Part # 55894-1
 CRIMP.TOOL 16-8 (SEALED PROD.)

Customers Also Bought



TE Part #T4133012051-000
 M12,FRONT MOUNT,FEMALE,A,5P,
 SOLDER WIRE



TE Part #1-2273003-3
 M8 x 1.0 straight socket Pigtail



TE Part #T4033014031-000
 M8 Panel Mount Solder Cups



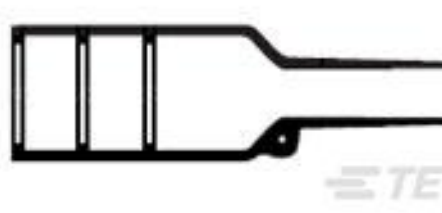
TE Part #T4070014041-001
 M8.MLE.PNLREAR.4POS.STR WIRE



TE Part #T4010008041-000
 M8,SCREW, FEMALE,S,UNSHIELD,4P,
 GOLD



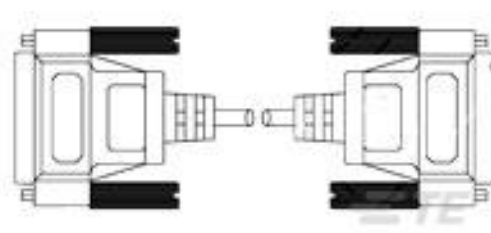
TE Part #T4051110004-007
 M8 CABLE ST MALE 10M 4P PVC
 CABLE



TE Part #433530-000
 202K232-25/225-0



TE Part #2120950-1
 M12 AC POWER CONNECTOR, S-
 CODED, SOCKET



TE Part #621850-2
 NULL MODEM 10' DB9 F/F C/A

Documents

[Product Drawings](#)



12-10 PRE-INSUL SEALED TERM R

English

CAD Files

Customer View Model

[ENG_CVM_CVM_8-55857-3_H.2d_dxf.zip](#)

English

3D PDF

3D

Customer View Model

[ENG_CVM_CVM_8-55857-3_H.3d_igs.zip](#)

English

Customer View Model

[ENG_CVM_CVM_8-55857-3_H.3d_stp.zip](#)

English

By downloading the CAD file I accept and agree to the [Terms and Conditions](#) of use.

Instruction Sheets

[Instruction Sheet \(U.S.\)](#)

English