

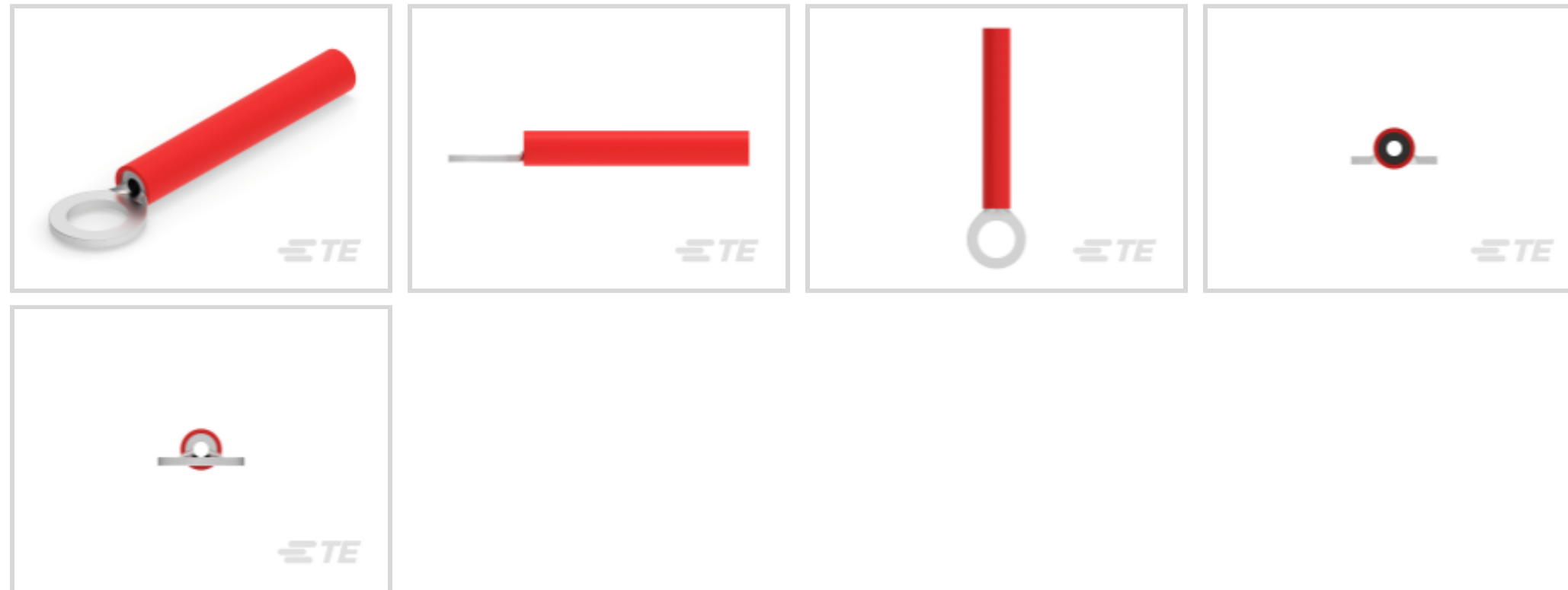


TE Internal #: 8-55848-2

Closed Ring Tongue Terminal, 22 – 18 AWG, #10 Stud Size, 4.82 mm [.19 in / .189 in] Stud Diameter, Closed Barrel, Straight, Tin, Partially Insulated

[View on TE.com >](#)

Terminals & Splices > Ring Terminals



Ring Terminal Product Type: Closed Ring Tongue Terminal

Wire Size: 509 – 1900 CMA

Stud Size: #10

## Features

### Product Type Features

Terminal Features	Heavy Duty
Ring Terminal Product Type	Closed Ring Tongue Terminal
Stud Size	#10
Sealable	Yes
Wire Insulation Support Retention Type	Insulation Support

### Configuration Features

Number of Holes	1
-----------------	---

### Electrical Characteristics

Voltage Rating	1000 V, 600 V
----------------	---------------

### Contact Features

Barrel Type	Closed
Terminal Orientation	Straight
Terminal Plating Material	Tin

### Mechanical Attachment

Wire Insulation Support	With
-------------------------	------



### Dimensions

Wire Size	509 – 1900 CMA
Stud Diameter	4.82 mm [.189 in] [.19 in]
Tongue Thickness	.81 mm [.032 in]
Product Length	32.21 mm [1.266 in]
Compatible Insulation Diameter (Max)	4.32 mm [.17 in]
Compatible Insulation Diameter Range	4.32 mm [.17 in]

### Usage Conditions

Insulation Option	Partially Insulated
Operating Temperature Range	125 °C [257 °F]

### Operation/Application

Compatible With Wire Base Material	Copper
Compatible With Wire Plating Material	Tin

### Industry Standards

Government Qualified Terminal	No
-------------------------------	----

### Packaging Features

Packaging Quantity	50
Packaging Method	Loose Piece

### Product Compliance

[For compliance documentation, visit the product page on TE.com>](#)

EU RoHS Directive 2011/65/EU	Compliant
EU ELV Directive 2000/53/EC	Compliant
China RoHS 2 Directive MIIT Order No 32, 2016	No Restricted Materials Above Threshold
EU REACH Regulation (EC) No. 1907/2006	Current ECHA Candidate List: JUNE 2023 (235) Candidate List Declared Against: JUL 2021 (219) Does not contain REACH SVHC
Halogen Content	Low Halogen - Br, Cl, F, I < 900 ppm per homogenous material. Also BFR/CFR/PVC Free
Solder Process Capability	Not applicable for solder process capability

Product Compliance Disclaimer



This information is provided based on reasonable inquiry of our suppliers and represents our current actual knowledge based on the information they provided. This information is subject to change. The part numbers that TE has identified as EU RoHS compliant have a maximum concentration of 0.1% by weight in homogenous materials for lead, hexavalent chromium, mercury, PBB, PBDE, DBP, BBP, DEHP, DIBP, and 0.01% for cadmium, or qualify for an exemption to these limits as defined in the Annexes of Directive 2011/65/EU (RoHS2). Finished electrical and electronic equipment products will be CE marked as required by Directive 2011/65/EU. Components may not be CE marked. Additionally, the part numbers that TE has identified as EU ELV compliant have a maximum concentration of 0.1% by weight in homogenous materials for lead, hexavalent chromium, and mercury, and 0.01% for cadmium, or qualify for an exemption to these limits as defined in the Annexes of Directive 2000/53/EC (ELV). Regarding the REACH Regulation, the information TE provides on SVHC in articles for this part number is based on the latest European Chemicals Agency (ECHA) 'Guidance on requirements for substances in articles' posted at this URL: <https://echa.europa.eu/guidance-documents/guidance-on-reach>

## Compatible Parts

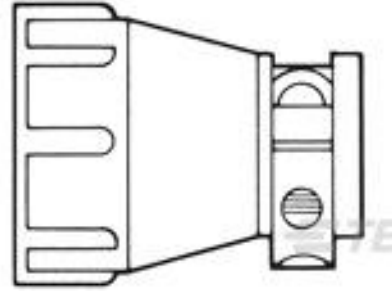


TE Part # 55848-1  
22-18 PRE-INSUL SEALED TERM R



TE Part # 55893-1  
CRIMP.TOOL 22-10(SEALED PROD.)

## Customers Also Bought



TE Part #206966-9  
CABLE CLAMP KIT, BULK PKG



TE Part #1-1879453-5  
TE 1000W 15R 5% Bracket



TE Part #206430-4  
CPC RECPT ASSEMBLY SIZE 11-4



TE Part #4-1879208-9  
CPF 0402 1K0 0.1% 25PPM 1K RL



TE Part #750644-1  
50SR SCREWLOCK KIT,FEMALE



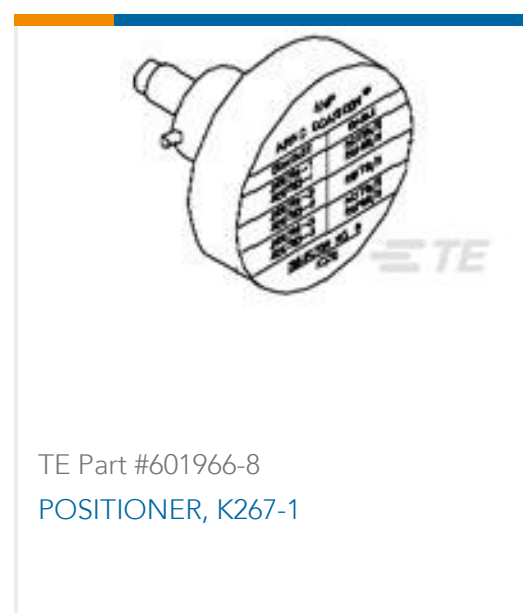
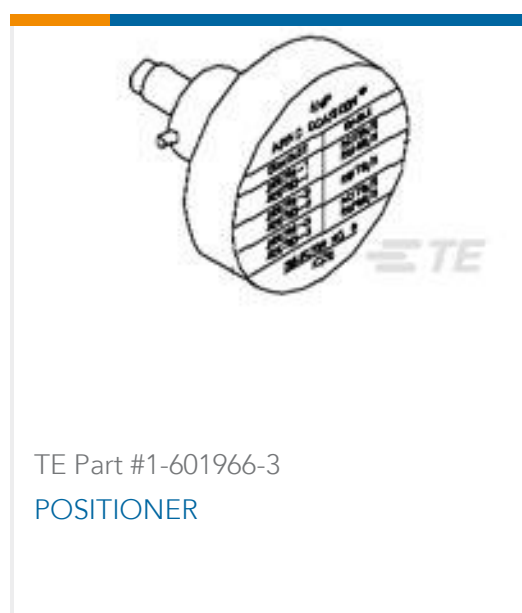
TE Part #877541-000  
44AM1141-24-MST4-9CS2275



TE Part #2-848076-5  
LEAD ASY,LGH3,SHLD W/GLAS BRAI



TE Part #849587-9  
RECEPTACLE



## Documents

### Product Drawings

#### [22-18 PRE-INSUL SEALED TERM R](#)

English

### CAD Files

#### Customer View Model

[ENG\\_CVM\\_CVM\\_8-55848-2\\_G.2d\\_dxf.zip](#)

English

#### 3D PDF

3D

#### Customer View Model

[ENG\\_CVM\\_CVM\\_8-55848-2\\_G.3d\\_igs.zip](#)

English

#### Customer View Model

[ENG\\_CVM\\_CVM\\_8-55848-2\\_G.3d\\_stp.zip](#)

English

By downloading the CAD file I accept and agree to the [Terms and Conditions](#) of use.

### Instruction Sheets

#### [Instruction Sheet \(U.S.\)](#)

English