

8-55847-2 ✓ ACTIVE

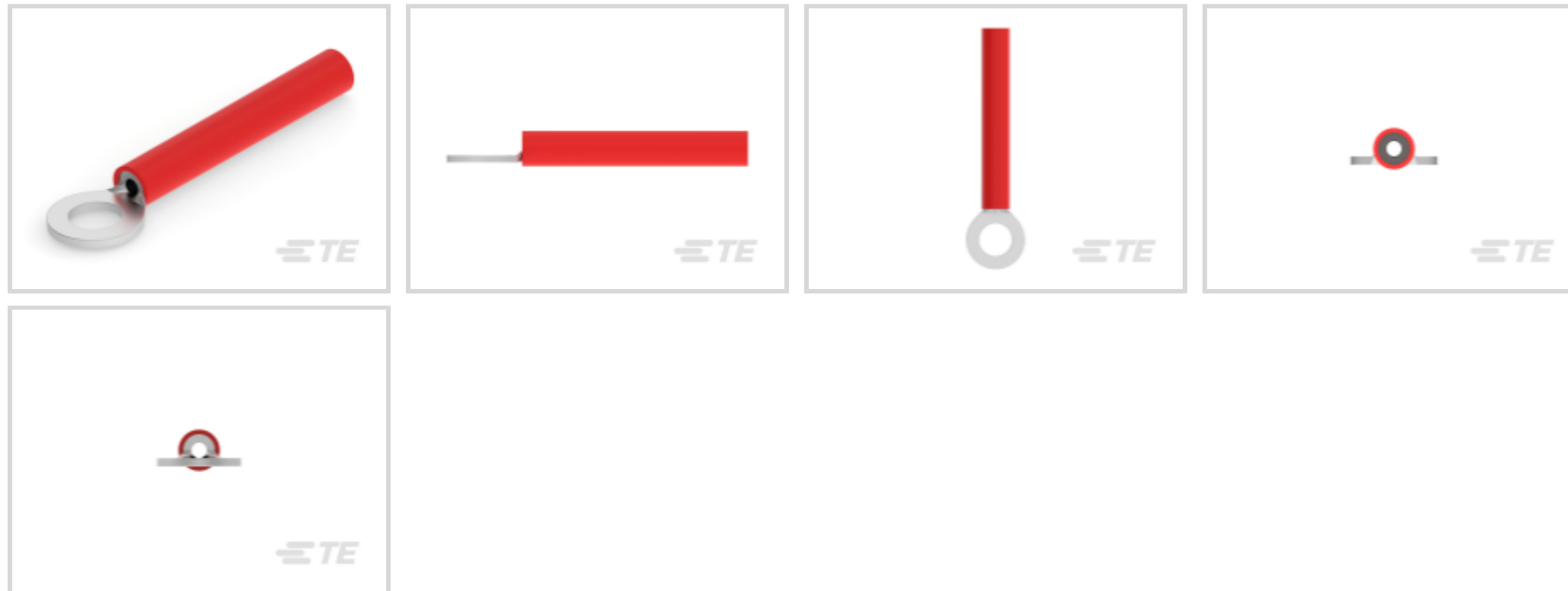
TE Internal #: 8-55847-2

Closed Ring Tongue Terminal, 22 – 18 AWG, M4 / #8 Stud Size,
4.17 mm [.164 in] Stud Diameter, Closed Barrel, Straight, Tin,
Partially Insulated

[View on TE.com >](#)



Terminals & Splices > Ring Terminals



Ring Terminal Product Type: Closed Ring Tongue Terminal

Wire Size: 509 – 1900 CMA

Stud Size: #8, M4

Features

Product Type Features

Terminal Features	Heavy Duty
Ring Terminal Product Type	Closed Ring Tongue Terminal
Stud Size	#8, M4
Sealable	Yes
Wire Insulation Support Retention Type	Insulation Support

Configuration Features

Number of Holes	1
-----------------	---

Electrical Characteristics

Voltage Rating	1000 V, 600 V
----------------	---------------

Contact Features

Barrel Type	Closed
Terminal Orientation	Straight
Terminal Plating Material	Tin

Mechanical Attachment

Wire Insulation Support	With
-------------------------	------



Dimensions

Wire Size	509 – 1900 CMA
Stud Diameter	4.17 mm [.164 in]
Tongue Thickness	.81 mm [.032 in]
Product Length	32.2 mm [1.266 in]
Compatible Insulation Diameter (Max)	4.32 mm [.17 in]
Compatible Insulation Diameter Range	4.32 mm [.17 in]

Usage Conditions

Insulation Option	Partially Insulated
Operating Temperature Range	125 °C [257 °F]

Operation/Application

Compatible With Wire Base Material	Copper
Compatible With Wire Plating Material	Tin

Industry Standards

Government Qualified Terminal	No
-------------------------------	----

Packaging Features

Packaging Quantity	50
Packaging Method	Loose Piece

Product Compliance

[For compliance documentation, visit the product page on TE.com>](#)

EU RoHS Directive 2011/65/EU	Compliant
EU ELV Directive 2000/53/EC	Compliant
China RoHS 2 Directive MIIT Order No 32, 2016	No Restricted Materials Above Threshold
EU REACH Regulation (EC) No. 1907/2006	Current ECHA Candidate List: JUNE 2023 (235) Candidate List Declared Against: JUNE 2023 (235) Does not contain REACH SVHC
Halogen Content	Low Halogen - Br, Cl, F, I < 900 ppm per homogenous material. Also BFR/CFR/PVC Free
Solder Process Capability	Not applicable for solder process capability

Product Compliance Disclaimer




This information is provided based on reasonable inquiry of our suppliers and represents our current actual knowledge based on the information they provided. This information is subject to change. The part numbers that TE has identified as EU RoHS compliant have a maximum concentration of 0.1% by weight in homogenous materials for lead, hexavalent chromium, mercury, PBB, PBDE, DBP, BBP, DEHP, DIBP, and 0.01% for cadmium, or qualify for an exemption to these limits as defined in the Annexes of Directive 2011/65/EU (RoHS2). Finished electrical and electronic equipment products will be CE marked as required by Directive 2011/65/EU. Components may not be CE marked. Additionally, the part numbers that TE has identified as EU ELV compliant have a maximum concentration of 0.1% by weight in homogenous materials for lead, hexavalent chromium, and mercury, and 0.01% for cadmium, or qualify for an exemption to these limits as defined in the Annexes of Directive 2000/53/EC (ELV). Regarding the REACH Regulation, the information TE provides on SVHC in articles for this part number is based on the latest European Chemicals Agency (ECHA) 'Guidance on requirements for substances in articles' posted at this URL: <https://echa.europa.eu/guidance-documents/guidance-on-reach>

Compatible Parts

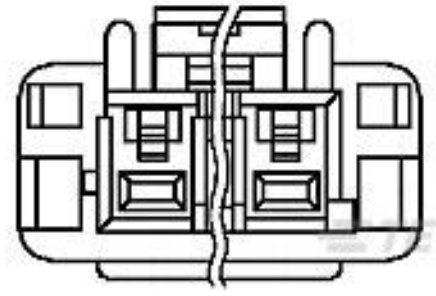


TE Part # 55847-1
 22-18 PRE-INSUL SEALED TERM R



TE Part # 55893-1
 CRIMP.TOOL 22-10(SEALED PROD.)

Customers Also Bought



TE Part #1376390-1
 5MM POWER KEY 4P PLUG HSG NUT



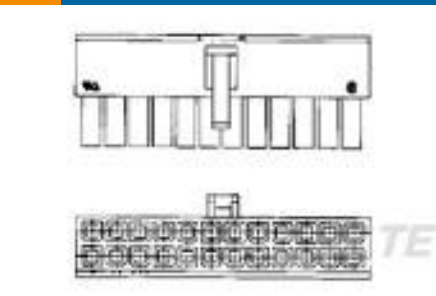
TE Part #1376383-1
 5mm B-T-W Conn. 3P HDR ASSEMBL



TE Part #640389-6
 06P MTA156 HDR ASSY SQ R/A F/L



TE Part #1571999-6
 ADP0404=PIANO DIP SWITCH



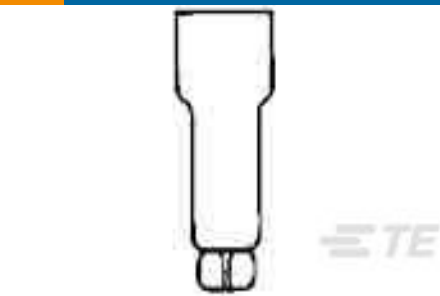
TE Part #1586019-8
 8P RCPT VAL-U-LOK V0



TE Part #2132415-4
 EP2.5 Shrouded HDR ASSY 4P VERT w /o boss



TE Part #1376384-1
 5mm B-T-W Conn. 4P HDR ASSEMBL



TE Part #320788
 SPLICE,CE 18-8



TE Part #1-1969582-2
ASSY, HDR, VERT, NO-BOSS, DUAL
ROW,EP2.5



TE Part #1969582-8
ASSY, HDR, VERT, NO-BOSS, DUAL
ROW,EP2.5

Documents

Product Drawings

[22-18 PRE-INSUL SEALED TERM R](#)

English

CAD Files

Customer View Model

[ENG_CVM_CVM_8-55847-2_E.2d_dxf.zip](#)

English

3D PDF

3D

Customer View Model

[ENG_CVM_CVM_8-55847-2_E.3d_igs.zip](#)

English

Customer View Model

[ENG_CVM_CVM_8-55847-2_E.3d_stp.zip](#)

English

By downloading the CAD file I accept and agree to the [Terms and Conditions](#) of use.

Instruction Sheets

[Instruction Sheet \(U.S.\)](#)

English