



SOLISTRAND

TE Internal #: 8-36886-2

Splices, Butt Splice, 6 AWG Wire Size, 13 – 15 mm² Wire Size, Sight Hole, .232 in [5.89 mm] Barrel Inside Diameter, 20800 – 33100 CMA Wire Size

[View on TE.com >](#)

Terminals & Splices > Splices



Wire Size: 13 – 15 mm²

Sealable: No

Splice Features: **Sight Hole**

Barrel Inside Diameter: 5.89 mm [.232 in]

Features

Product Type Features

Splice Accessory Type	Splice
Sealable	No
Splice Type	Butt Splice
Compatible With Discrete Wire Type	Solid, Stranded
Wire Insulation Support Retention Type	Non-Insulation Support

Configuration Features

Compatible With Wire & Cable Type	Discrete Wire
-----------------------------------	---------------

Body Features

Product Weight	8.382 g
Splice Features	Sight Hole

Contact Features

	100 μin
Terminal Plating Material	Tin
Contact Base Material	Copper



Barrel Type	Closed
-------------	--------

Mechanical Attachment

Wire Insulation Support	Without
-------------------------	---------

Dimensions

Outside Diameter	9.37 mm[.369 in]
Wire Size	20800 – 33100 CMA
Barrel Inside Diameter	5.89 mm[.232 in]
Terminal Material Thickness	1.52 mm[.06 in]
Product Length	25.78 mm[1.015 in]

Usage Conditions

Insulation Option	Uninsulated
Operating Temperature Range	170 °C[338 °F]

Operation/Application

Compatible With Wire Base Material	Copper
------------------------------------	--------

Industry Standards

Government Qualified Splice	No
-----------------------------	----

Packaging Features

Packaging Quantity	50
Packaging Method	Loose Piece

Product Compliance

[For compliance documentation, visit the product page on TE.com>](#)

EU RoHS Directive 2011/65/EU	Compliant
EU ELV Directive 2000/53/EC	Compliant
China RoHS 2 Directive MIIT Order No 32, 2016	No Restricted Materials Above Threshold
EU REACH Regulation (EC) No. 1907/2006	Current ECHA Candidate List: JUNE 2023 (235) Candidate List Declared Against: JUNE 2023 (235) Does not contain REACH SVHC
Halogen Content	Low Halogen - Br, Cl, F, I < 900 ppm per homogenous material. Also BFR/CFR/PVC Free
Solder Process Capability	Not applicable for solder process capability

Product Compliance Disclaimer

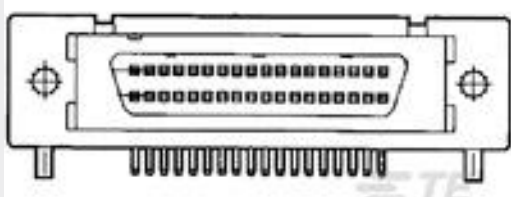
This information is provided based on reasonable inquiry of our suppliers and represents our current actual knowledge based on the information they provided. This information is subject to change. The part numbers that TE has identified as EU RoHS compliant have a maximum concentration of 0.1% by weight in homogenous materials for lead, hexavalent chromium, mercury, PBB, PBDE, DBP, BBP, DEHP, DIBP, and 0.01% for cadmium, or qualify for an exemption to these limits as defined in the Annexes of Directive 2011/65/EU (RoHS2). Finished electrical and electronic equipment products will be CE marked as required by Directive 2011/65/EU. Components may not be CE marked. Additionally, the part numbers that TE has identified as EU ELV compliant have a maximum concentration of 0.1% by weight in homogenous materials for lead, hexavalent chromium, and mercury, and 0.01% for cadmium, or qualify for an exemption to these limits as defined in the Annexes of Directive 2000/53/EC (ELV). Regarding the REACH Regulation, the information TE provides on SVHC in articles for this part number is based on the latest European Chemicals Agency (ECHA) 'Guidance on requirements for substances in articles' posted at this URL: <https://echa.europa.eu/guidance-documents/guidance-on-reach>

Compatible Parts



TE Part # 36886
SPLICE,SOLIS BUTT 6

Customers Also Bought



TE Part #2-5174225-5
AMPLIMITE 050-2B HOR 68P M2.5



TE Part #HDC26-24
DUST CAP, 24SZ, REC, BLK, HDP



TE Part #DT04-2P-CE01
REC, 2P, GRY, E, CAP



TE Part #2-1630019-8
HSC200 R47 5%



TE Part #K1131877
Battery Disconnecter 35-210-141-R



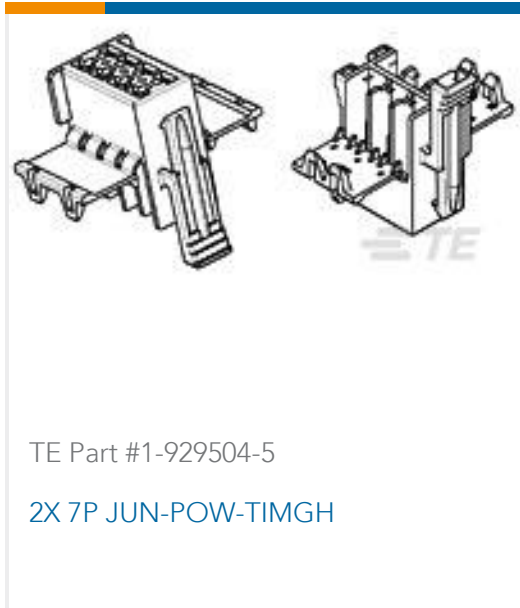
TE Part #4-794620-0
10P MICRO MNL ASSY,R/A,HDR,LF



TE Part #5-103956-6
2X7 MTE RCPT SR LATCH .100CL



TE Part #1670720-1
SLIDE,TAB HSG GROUP C



Documents

Product Drawings

[SPLICE,SOLIS BUTT 6](#)

English

CAD Files

Customer View Model

[ENG_CVM_CVM_8-36886-2_H.2d_dxf.zip](#)

English

[3D PDF](#)

3D

Customer View Model

[ENG_CVM_CVM_8-36886-2_H.3d_igs.zip](#)

English

Customer View Model

[ENG_CVM_CVM_8-36886-2_H.3d_stp.zip](#)

English

By downloading the CAD file I accept and agree to the [Terms and Conditions](#) of use.

Datasheets & Catalog Pages

[SOLISTRAND - QRG](#)

English

[RADIATION_RESISTANT_PRE-INSULATED_TERMINALS_SPLICES](#)

English