



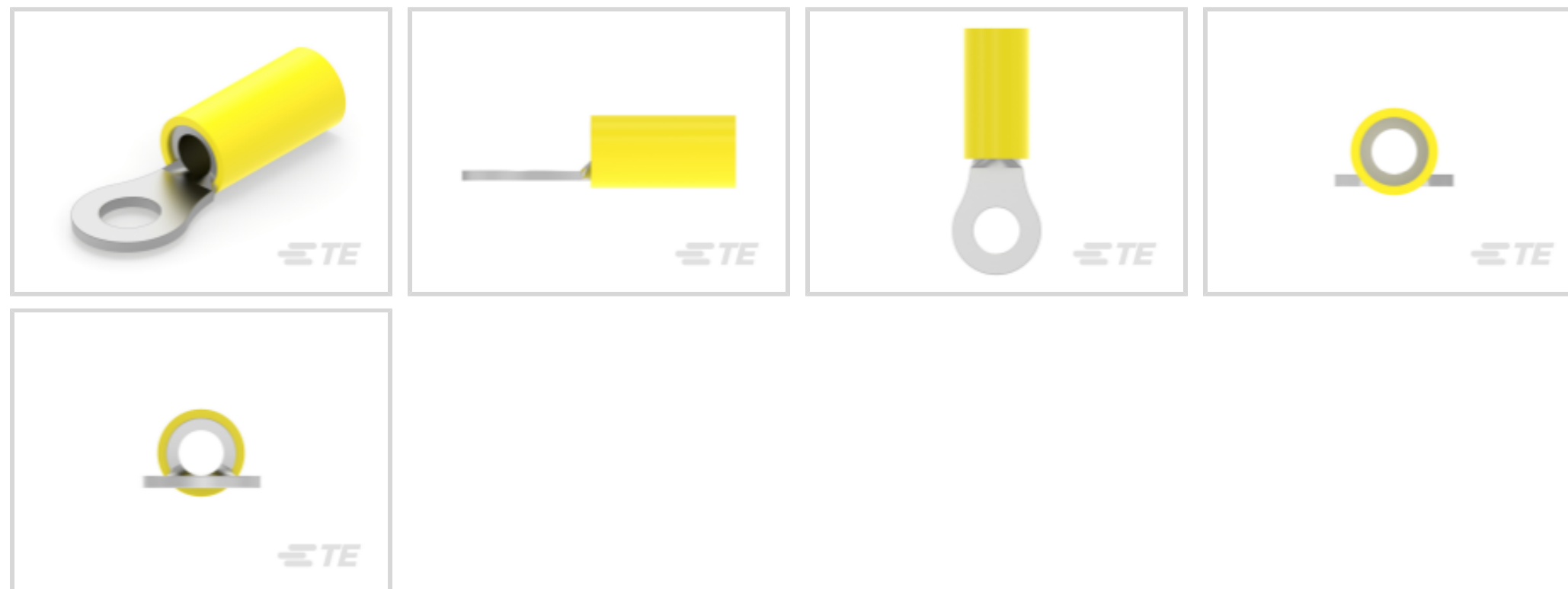
PLASTI-GRIP

TE Internal #: 8-34854-1

Closed Ring Tongue Terminal, 12 – 10 AWG, #10 Stud Size, 5 mm [.19 in] Stud Diameter, Closed Barrel, Straight, Tin, Partially Insulated, PLASTI-GRIP

[View on TE.com >](#)

Terminals & Splices > Ring Terminals



Ring Terminal Product Type: **Closed Ring Tongue Terminal**

Wire Size: **5180 – 13100 CMA**

Stud Size: **#10**

Features

Product Type Features

| | |
|----------------------------------------|-----------------------------|
| Ring Terminal Product Type | Closed Ring Tongue Terminal |
| Stud Size | #10 |
| Sealable | No |
| Wire Insulation Support Retention Type | Insulation Support |

Configuration Features

| | |
|-----------------|---|
| Number of Holes | 1 |
|-----------------|---|

Electrical Characteristics

| | |
|----------------|-------|
| Voltage Rating | 600 V |
|----------------|-------|

Body Features

| | |
|----------------|-----|
| Product Weight | 5 g |
|----------------|-----|

Contact Features

| | |
|---------------------------|----------|
| Barrel Type | Closed |
| Terminal Orientation | Straight |
| Terminal Plating Material | Tin |

Mechanical Attachment



| | |
|-------------------------|------|
| Wire Insulation Support | With |
|-------------------------|------|

Dimensions

| | |
|--------------------------------------|-------------------------------|
| Wire Size | 5180 – 13100 CMA |
| Stud Diameter | 5 mm [.19 in] |
| Tongue Thickness | 1 mm [.042 in] |
| Product Length | 27.89 mm [1.1 in] |
| Compatible Insulation Diameter (Max) | 6.35 mm [.25 in] |
| Compatible Insulation Diameter Range | 3.81 – 6.35 mm [.15 – .25 in] |

Usage Conditions

| | |
|-----------------------------|---------------------|
| Insulation Option | Partially Insulated |
| Operating Temperature Range | 105 °C [221 °F] |

Operation/Application

| | |
|---------------------------------------|--------|
| Compatible With Wire Base Material | Copper |
| Compatible With Wire Plating Material | Tin |

Industry Standards

| | |
|-------------------------------|----|
| Government Qualified Terminal | No |
|-------------------------------|----|

Packaging Features

| | |
|--------------------|-------------|
| Packaging Quantity | 100 |
| Packaging Method | Loose Piece |

Product Compliance

[For compliance documentation, visit the product page on TE.com>](#)

| | |
|-----------------------------------------------|---------------------------------------------------------------------------------------------------------------------------------|
| EU RoHS Directive 2011/65/EU | Compliant |
| EU ELV Directive 2000/53/EC | Compliant |
| China RoHS 2 Directive MIIT Order No 32, 2016 | No Restricted Materials Above Threshold |
| EU REACH Regulation (EC) No. 1907/2006 | Current ECHA Candidate List: JUNE 2023 (235) Candidate List Declared Against: JUNE 2023 (235) Does not contain REACH SVHC |
| Halogen Content | Not Low Halogen - contains Br or Cl > 900 ppm. |
| Solder Process Capability | Not applicable for solder process capability |



Product Compliance Disclaimer

This information is provided based on reasonable inquiry of our suppliers and represents our current actual knowledge based on the information they provided. This information is subject to change. The part numbers that TE has identified as EU RoHS compliant have a maximum concentration of 0.1% by weight in homogenous materials for lead, hexavalent chromium, mercury, PBB, PBDE, DBP, BBP, DEHP, DIBP, and 0.01% for cadmium, or qualify for an exemption to these limits as defined in the Annexes of Directive 2011/65/EU (RoHS2). Finished electrical and electronic equipment products will be CE marked as required by Directive 2011/65/EU. Components may not be CE marked. Additionally, the part numbers that TE has identified as EU ELV compliant have a maximum concentration of 0.1% by weight in homogenous materials for lead, hexavalent chromium, and mercury, and 0.01% for cadmium, or qualify for an exemption to these limits as defined in the Annexes of Directive 2000/53/EC (ELV). Regarding the REACH Regulation, the information TE provides on SVHC in articles for this part number is based on the latest European Chemicals Agency (ECHA) 'Guidance on requirements for substances in articles' posted at this URL: <https://echa.europa.eu/guidance-documents/guidance-on-reach>

Compatible Parts

TE Part # 59824-1
TETRA-CRIMP PIDG PG FASTON 22-10 ASSY

TE Part # 59239-4
HHHT PIDG PG 12-10 ASSY

TE Part # 58423-1
DIE, RBY IS9252

TE Part # 58433-3
PRO CR ASSY, RBY IS9252

TE Part # 55823-1
RBY PRO CRIMPER KIT

TE Part # 2063030-1
SDE DIESET, RBY, UL

TE Part # 2217330-1
KIT, BTLI, 4 TON, NA

TE Part # 47808-6
DIES PIDG 12-10 DIE SET

TE Part # 679300-1
1210 PIDG CRIMP HEAD

TE Part # 169400
CERTI-LOK FRAME W/O DIES

TE Part # 1-59239-4
HHHT PIDG 16-10 HEAD

TE Part # 1SET191001R0000
CRIMP-HT

TE Part # 1SET191002R0000
TET CRIMP-HT

TE Part # 169404
CERTI-LOK DIE

Also in the Series | PLASTI-GRIP



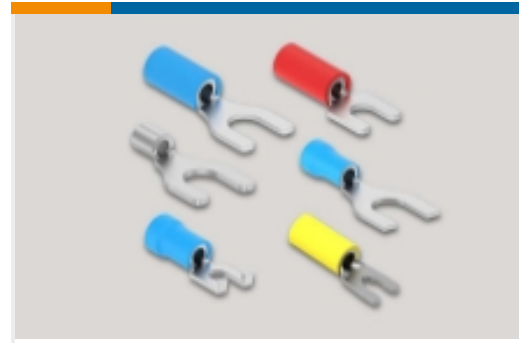
Compression Connectors(3)



Crimp Wire Pins, Tabs & Ferrules(25)



Ring Terminals(333)



Spade Terminals(198)

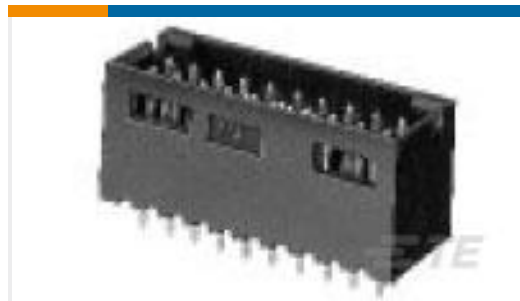


Splices(50)

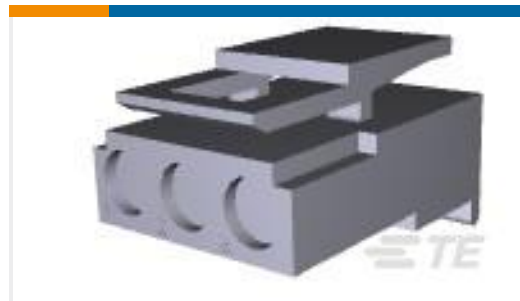
Customers Also Bought



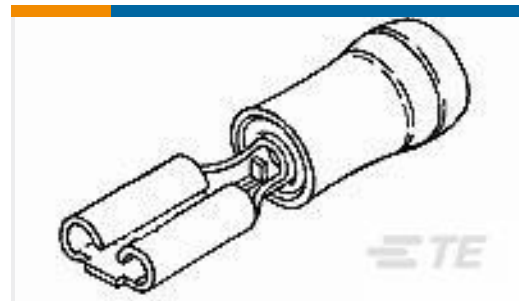
TE Part #2-323758-1
PIDG R 22-16 COMM 22-18 MIL 4



TE Part #1-103168-8
40 MODII HDR DRST SHRD .100CL



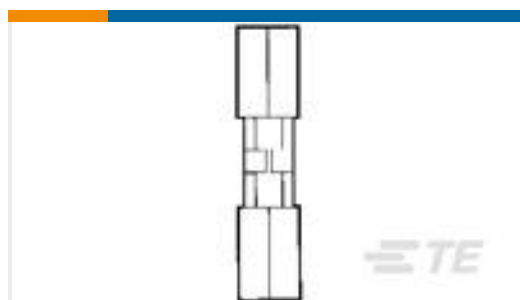
TE Part #1-480721-0
03P CMNL PLUG HSG W/LOK NATL



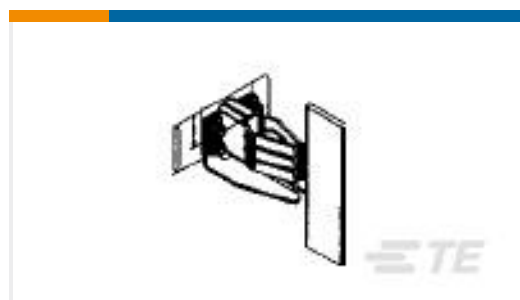
TE Part #165619-2
110 PIDG FASTON REC



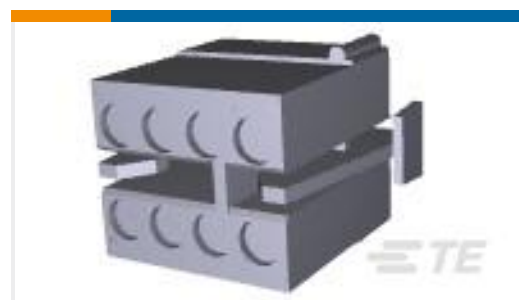
TE Part #34203
PG BUTT SPLC 22-16COMM22-18MIL



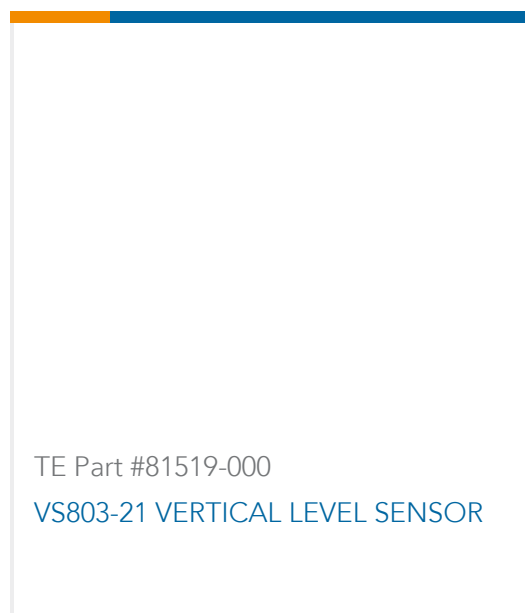
TE Part #8-321198-1
SPLICE,SOLIS BUTT 26-22



TE Part #213647-1
AMP PDS BUSPLUG 125F3 SER



TE Part #1-480283-0
08P CMNL PLUG HSG M/M NATL



TE Part #81519-000
VS803-21 VERTICAL LEVEL SENSOR



Documents

Product Drawings

[TERMINAL,PG R 12-10 10](#)

English

CAD Files

Customer View Model

[ENG_CVM_CVM_8-34854-1_V.2d_dxf.zip](#)

English

3D PDF

3D

Customer View Model

[ENG_CVM_CVM_8-34854-1_V.3d_igs.zip](#)

English

Customer View Model

[ENG_CVM_CVM_8-34854-1_V.3d_stp.zip](#)

English

By downloading the CAD file I accept and agree to the [Terms and Conditions](#) of use.

Product Specifications

[Application Specification](#)

English