



SOLISTRAND

TE Internal #: 8-34318-3

Splices, Parallel Splice, 8 AWG Wire Size, 8 mm² Wire Size,
Serrated, .172 in [4.37 mm] Barrel Inside Diameter, 13100 – 20800

CMA Wire Size, Copper

[View on TE.com >](#)

Terminals & Splices > Splices



Wire Size: 8 mm²

Sealable: No

Splice Features: **Serrated**

Barrel Inside Diameter: 4.37 mm [.172 in]

Features

Product Type Features

Splice Accessory Type	Splice
Sealable	No
Splice Type	Parallel Splice
Compatible With Discrete Wire Type	Solid, Stranded
Wire Insulation Support Retention Type	Non-Insulation Support

Configuration Features

Compatible With Wire & Cable Type	Discrete Wire
-----------------------------------	---------------

Body Features

Product Weight	2.546 g
Splice Features	Serrated

Contact Features

	100 μin
Terminal Plating Material	Tin
Contact Base Material	Copper



Barrel Type Closed

Mechanical Attachment

Wire Insulation Support Without

Dimensions

Wire Size 13100 – 20800 CMA

Barrel Inside Diameter 4.37 mm[.172 in]

Terminal Material Thickness 1.19 mm[.047 in]

Product Length 9.53 mm[.375 in]

Usage Conditions

Insulation Option Uninsulated

Operating Temperature Range 170 °C[338 °F]

Operation/Application

Compatible With Wire Base Material Copper

Industry Standards

Government Qualified Splice No

Packaging Features

Packaging Quantity 25

Packaging Method Loose Piece

Product Compliance

[For compliance documentation, visit the product page on TE.com>](#)

EU RoHS Directive 2011/65/EU Compliant

EU ELV Directive 2000/53/EC Compliant

China RoHS 2 Directive MIIT Order No 32, 2016 No Restricted Materials Above Threshold

EU REACH Regulation (EC) No. 1907/2006
 Current ECHA Candidate List: JUNE 2023 (235)
 Candidate List Declared Against: JUNE 2023 (235)
 Does not contain REACH SVHC

Halogen Content Low Halogen - Br, Cl, F, I < 900 ppm per homogenous material. Also BFR/CFR/PVC Free

Solder Process Capability Not applicable for solder process capability


Product Compliance Disclaimer

This information is provided based on reasonable inquiry of our suppliers and represents our current actual knowledge based on the information they provided. This information is subject to change. The part numbers that TE has identified as EU RoHS compliant have a maximum concentration of 0.1% by weight in homogenous materials for lead, hexavalent chromium, mercury, PBB, PBDE, DBP, BBP, DEHP, DIBP, and 0.01% for cadmium, or qualify for an exemption to these limits as defined in the Annexes of Directive 2011/65/EU (RoHS2). Finished electrical and electronic equipment products will be CE marked as required by Directive 2011/65/EU. Components may not be CE marked. Additionally, the part numbers that TE has identified as EU ELV compliant have a maximum concentration of 0.1% by weight in homogenous materials for lead, hexavalent chromium, and mercury, and 0.01% for cadmium, or qualify for an exemption to these limits as defined in the Annexes of Directive 2000/53/EC (ELV). Regarding the REACH Regulation, the information TE provides on SVHC in articles for this part number is based on the latest European Chemicals Agency (ECHA) 'Guidance on requirements for substances in articles' posted at this URL: <https://echa.europa.eu/guidance-documents/guidance-on-reach>

Compatible Parts



TE Part # 601075
BANTAM ROTA-CRIMP TOOL



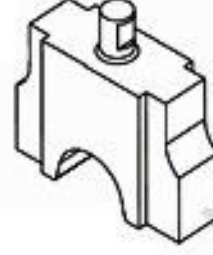
TE Part # 69355
HHHT SOLIS SOLIS FLAG STRATO 8 ASSY




TE Part # 1490413-1
HYP10 SOLIS 8AWG NEST



TE Part # 1490414-1
HYP10 SOLIS 8AWG INDENTER



TE Part # 1901001-1
NEST #8



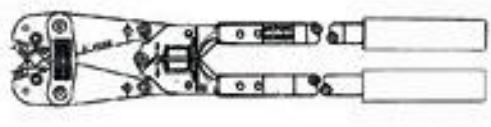
TE Part # 48355
HYP8 SOLIS 8AWG INDENTER



TE Part # 69216
HYP8/10 SOLIS 8AWG DIE SET



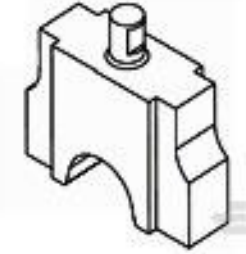
TE Part # 48126
HYP8 SOLIS 8AWG NEST



TE Part # 600850
ROTO-CRIMP TOOL (ASI)



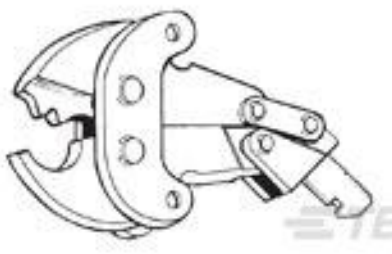
TE Part # 69339
HHHT SOLIS SOLIS FLAG STRATO 8 ASSY



TE Part # 1901002-2
INDENTER, SOLISTRAND




TE Part # 2402044-1
Mid-Size Applicator LP



TE Part # 49956
PNEUMATIC SOLIS STRATO 8 HEAD



TE Part # 7-2402044-1
Mid-Size Applicator LP and tooling kit



KIT
 REPRESENTATION ONLY
 TE Part # 7-2402044-7
Applicator KIT



Customers Also Bought



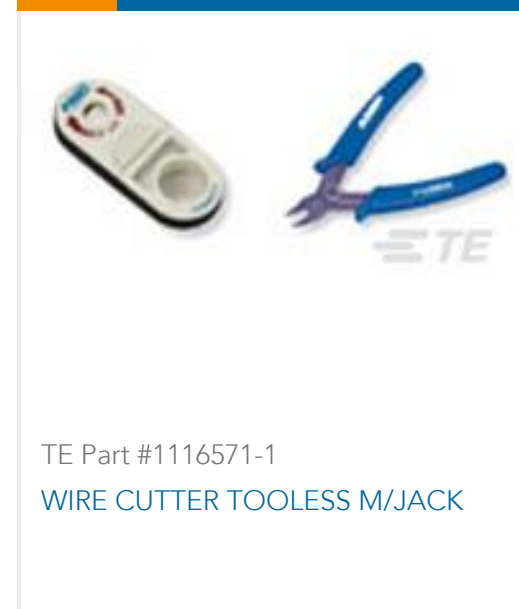
TE Part #52750
COPALUM Stranded/Solid: Parallel Splices



TE Part #50719-1
TERMINAL, COPALUM 6 1/4



TE Part #50720-1
TERMINAL, COPALUM 8 1/4



TE Part #1116571-1
WIRE CUTTER TOOLESS M/JACK

Documents

Product Drawings

[SPLICE, SOLIS PARA 8](#)

English

CAD Files

[3D PDF](#)

3D

Customer View Model

[ENG_CVM_CVM_8-34318-3_U.2d_dxf.zip](#)

English

Customer View Model

[ENG_CVM_CVM_8-34318-3_U.3d_igs.zip](#)

English

Customer View Model

[ENG_CVM_CVM_8-34318-3_U.3d_stp.zip](#)

English

By downloading the CAD file I accept and agree to the [Terms and Conditions](#) of use.

Datasheets & Catalog Pages

[SOLISTRAND - QRG](#)

English

[RADIATION_RESISTANT_PRE-INSULATED_TERMINALS_SPLICES](#)

English