

8-328975-1 ✓ ACTIVE



PIDG

TE Internal #: 8-328975-1

Closed Ring Tongue Terminal, 22 – 16 AWG, M12 Stud Size, 13.08 mm [.515 in] Stud Diameter, Closed Barrel, Straight, Tin, Partially Insulated, PIDG

[View on TE.com >](#)

Terminals & Splices > Ring Terminals > PIDG Ring Tongue Terminals



Ring Terminal Product Type: Closed Ring Tongue Terminal

Wire Size: 509 – 3260 CMA

Stud Size: M12

[All PIDG Ring Tongue Terminals \(418\)](#)

Features

Product Type Features

| | |
|--|-----------------------------|
| Terminal Features | Sheared |
| Ring Terminal Product Type | Closed Ring Tongue Terminal |
| Stud Size | M12 |
| Sealable | No |
| Wire Insulation Support Retention Type | Insulation Support |

Configuration Features

| | |
|-----------------|---|
| Number of Holes | 1 |
|-----------------|---|

Electrical Characteristics

| | |
|----------------|-------|
| Voltage Rating | 300 V |
|----------------|-------|

Body Features

| | |
|----------------|---------|
| Product Weight | 1.503 g |
|----------------|---------|

Contact Features

| | |
|-------------|--------|
| Barrel Type | Closed |
|-------------|--------|



| | |
|----------------------|----------|
| Terminal Orientation | Straight |
|----------------------|----------|

| | |
|---------------------------|-----|
| Terminal Plating Material | Tin |
|---------------------------|-----|

Mechanical Attachment

| | |
|-------------------------|------|
| Wire Insulation Support | With |
|-------------------------|------|

Dimensions

| | |
|-----------|----------------|
| Wire Size | 509 – 3260 CMA |
|-----------|----------------|

| | |
|---------------|--------------------|
| Stud Diameter | 13.08 mm [.515 in] |
|---------------|--------------------|

| | |
|------------------|------------------|
| Tongue Thickness | .79 mm [.031 in] |
|------------------|------------------|

| | |
|----------------|---------------------|
| Product Length | 32.84 mm [1.293 in] |
|----------------|---------------------|

| | |
|--------------------------------------|-------------------|
| Compatible Insulation Diameter (Max) | 3.18 mm [.125 in] |
|--------------------------------------|-------------------|

| | |
|--------------------------------------|--------------------------------|
| Compatible Insulation Diameter Range | 2.03 – 3.18 mm [.08 – .125 in] |
|--------------------------------------|--------------------------------|

Usage Conditions

| | |
|-------------------|---------------------|
| Insulation Option | Partially Insulated |
|-------------------|---------------------|

| | |
|-----------------------------|-----------------|
| Operating Temperature Range | 105 °C [221 °F] |
|-----------------------------|-----------------|

Operation/Application

| | |
|------------------------------------|--------|
| Compatible With Wire Base Material | Copper |
|------------------------------------|--------|

| | |
|---------------------------------------|-----|
| Compatible With Wire Plating Material | Tin |
|---------------------------------------|-----|

Industry Standards

| | |
|-------------------------------|----|
| Government Qualified Terminal | No |
|-------------------------------|----|

Packaging Features

| | |
|--------------------|-----|
| Packaging Quantity | 100 |
|--------------------|-----|

| | |
|------------------|-------------|
| Packaging Method | Loose Piece |
|------------------|-------------|

Product Compliance

[For compliance documentation, visit the product page on TE.com>](#)

| | |
|------------------------------|-----------|
| EU RoHS Directive 2011/65/EU | Compliant |
|------------------------------|-----------|

| | |
|-----------------------------|-----------|
| EU ELV Directive 2000/53/EC | Compliant |
|-----------------------------|-----------|

| | |
|---|---|
| China RoHS 2 Directive MIIT Order No 32, 2016 | No Restricted Materials Above Threshold |
|---|---|

| | |
|--|---|
| EU REACH Regulation (EC) No. 1907/2006 | Current ECHA Candidate List: JUNE 2023 (235) Candidate List Declared Against: JUNE 2023 (235) Does not contain REACH SVHC |
|--|---|

| | |
|---------------------------|---|
| Halogen Content | Low Halogen - Br, Cl, F, I < 900 ppm per homogenous material. Also BFR/CFR/PVC Free |
| Solder Process Capability | Not applicable for solder process capability |

Product Compliance Disclaimer

This information is provided based on reasonable inquiry of our suppliers and represents our current actual knowledge based on the information they provided. This information is subject to change. The part numbers that TE has identified as EU RoHS compliant have a maximum concentration of 0.1% by weight in homogenous materials for lead, hexavalent chromium, mercury, PBB, PBDE, DBP, BBP, DEHP, DIBP, and 0.01% for cadmium, or qualify for an exemption to these limits as defined in the Annexes of Directive 2011/65/EU (RoHS2). Finished electrical and electronic equipment products will be CE marked as required by Directive 2011/65/EU. Components may not be CE marked. Additionally, the part numbers that TE has identified as EU ELV compliant have a maximum concentration of 0.1% by weight in homogenous materials for lead, hexavalent chromium, and mercury, and 0.01% for cadmium, or qualify for an exemption to these limits as defined in the Annexes of Directive 2000/53/EC (ELV). Regarding the REACH Regulation, the information TE provides on SVHC in articles for this part number is based on the latest European Chemicals Agency (ECHA) 'Guidance on requirements for substances in articles' posted at this URL: <https://echa.europa.eu/guidance-documents/guidance-on-reach>

Compatible Parts

REPRESENTATION ONLY

TE Part # 47386
DAHT PG PIDG 26-16 ASSY

TE Part # 58423-1
DIE, RBY IS9252

TE Part # 58433-3
PRO CR ASSY, RBY IS9252

TE Part # 1SET191001R0000
CRIMP-HT

TE Part # 169404
CERTI-LOK DIE

Also in the Series | PIDG

Compression Connectors(17)

Crimp Terminal Housings(1)

Crimp Wire Pins, Tabs & Ferrules(41)

Hand Crimping Tools(2)



Knife Disconnects(11)



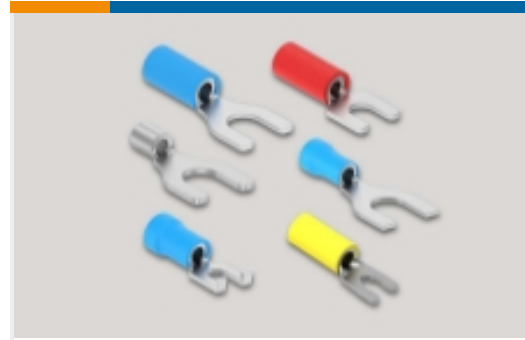
PCB Terminals(7)



Quick Disconnects(49)



Ring Terminals(611)



Spade Terminals(233)

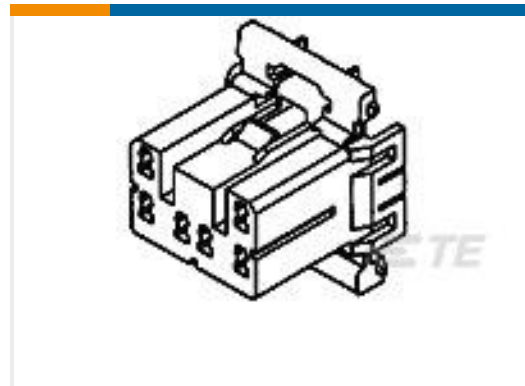


Special Purpose Terminals(1)

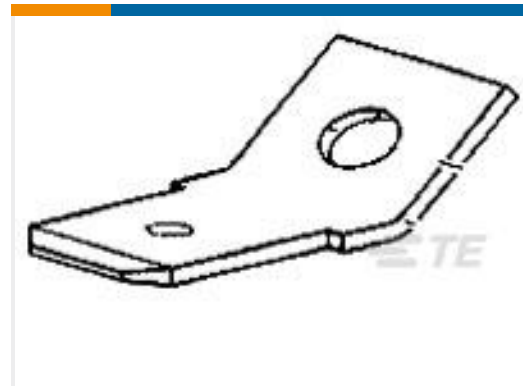


Splices(46)

Customers Also Bought



TE Part #173851-1
070 MULTILOCK PLUG 12P



TE Part #61499-1
250 FASTON TAB TPBR



TE Part #2204443-1
MULTI-BEAM HD R/A PLUG 2P



TE Part #3-1879501-3
CRGH2512 5% 22R 2W



TE Part #323994
SPLICE BUTT PIDG 26-24



TE Part #1-1879075-5
THS25 2R0 5%



TE Part #7482063001
ACW0219-1.50-2(NS)



TE Part #1-2176248-5
TJT 250W 220R 5%



TE Part #1-2176250-0
TJT 500W 33R 5%



TE Part #1462041-6
IMB06CTS=IM RELAY 140mW12V HDV

Documents



Product Drawings

[PIDG R 22-16 COMM 22-18MIL 1/2](#)

English

CAD Files

[3D PDF](#)

3D

Customer View Model

[ENG_CVM_CVM_8-328975-1_N.2d_dxf.zip](#)

English

Customer View Model

[ENG_CVM_CVM_8-328975-1_N.3d_igs.zip](#)

English

Customer View Model

[ENG_CVM_CVM_8-328975-1_N.3d_stp.zip](#)

English

By downloading the CAD file I accept and agree to the [Terms and Conditions](#) of use.

Product Specifications

[Application Specification](#)

English

Product Environmental Compliance

[MD_8-328975-1_05022015539_dmtec](#)

English

[MD_8-328975-1_05022015539_dmtec](#)

English

Agency Approvals

[UL Report](#)

English