

8-325150-2 ✓ ACTIVE



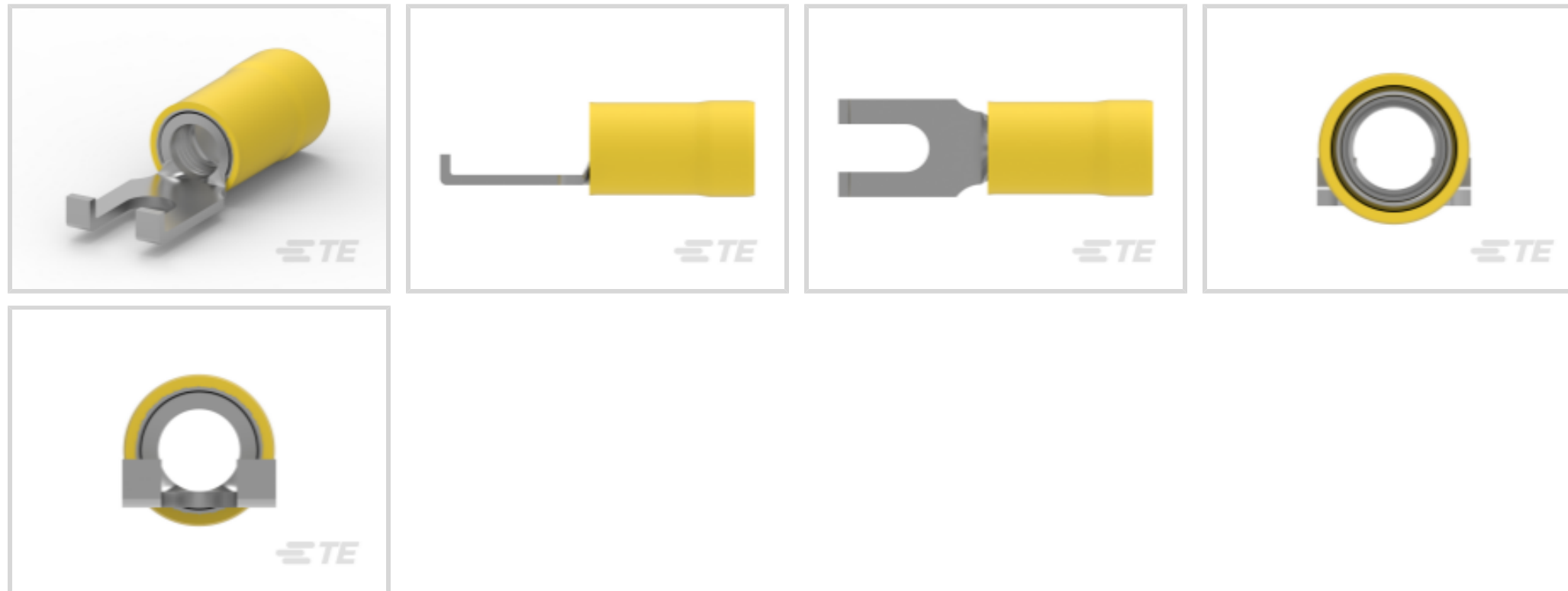
PIDG

TE Internal #: 8-325150-2

Spade Flange Tongue Terminal, 12 – 10 AWG, #6 / M3.5 Stud Size, 3.68 mm [.145 in] Stud Diameter, Closed Barrel, Flanged, Tin, PIDG

[View on TE.com >](#)

Terminals & Splices > Spade Terminals > PIDG Flanged Spade Tongue Terminals



Spade Terminal Type: **Spade Flange Tongue Terminal**

Wire Size: **5180 – 13100 CMA**

Stud Size: **#6, M3.5**

[All PIDG Flanged Spade Tongue Terminals \(51\)](#)

Features

Product Type Features

| | |
|--|--------------------|
| Stud Size | #6, M3.5 |
| Sealable | No |
| Wire Insulation Support Retention Type | Insulation Support |

Electrical Characteristics

| | |
|----------------|-------|
| Voltage Rating | 300 V |
|----------------|-------|

Body Features

| | |
|----------------|---------|
| Product Weight | 2.293 g |
|----------------|---------|

Contact Features

| | |
|---------------------------|------------------------------|
| Spade Terminal Type | Spade Flange Tongue Terminal |
| Barrel Type | Closed |
| Terminal Orientation | Flanged |
| Terminal Plating Material | Tin |

Mechanical Attachment

| | |
|-------------------------|------|
| Wire Insulation Support | With |
|-------------------------|------|



Dimensions

| | |
|--------------------------------------|-------------------------------|
| Wire Size | 5180 – 13100 CMA |
| Stud Diameter | 3.68 mm [.145 in] |
| Tongue Thickness | 1.07 mm [.042 in] |
| Product Length | 26.82 mm [1.056 in] |
| Compatible Insulation Diameter (Max) | 6.35 mm [.25 in] |
| Compatible Insulation Diameter Range | 3.81 – 6.35 mm [.15 – .25 in] |

Usage Conditions

| | |
|-----------------------------|---------------------|
| Insulation Option | Partially Insulated |
| Operating Temperature Range | 105 °C [221 °F] |

Operation/Application

| | |
|---------------------------------------|--------|
| Compatible With Wire Base Material | Copper |
| Compatible With Wire Plating Material | Tin |

Industry Standards

| | |
|-------------------------------|----|
| Government Qualified Terminal | No |
|-------------------------------|----|

Packaging Features

| | |
|--------------------|-------------|
| Packaging Quantity | 50 |
| Packaging Method | Loose Piece |

Product Compliance

[For compliance documentation, visit the product page on TE.com>](#)

| | |
|---|---|
| EU RoHS Directive 2011/65/EU | Compliant |
| EU ELV Directive 2000/53/EC | Compliant |
| China RoHS 2 Directive MIIT Order No 32, 2016 | No Restricted Materials Above Threshold |
| EU REACH Regulation (EC) No. 1907/2006 | Current ECHA Candidate List: JUNE 2023 (235) Candidate List Declared Against: JUNE 2023 (235) Does not contain REACH SVHC |
| Halogen Content | Low Halogen - Br, Cl, F, I < 900 ppm per homogenous material. Also BFR/CFR/PVC Free |
| Solder Process Capability | Not applicable for solder process capability |

Product Compliance Disclaimer



This information is provided based on reasonable inquiry of our suppliers and represents our current actual knowledge based on the information they provided. This information is subject to change. The part numbers that TE has identified as EU RoHS compliant have a maximum concentration of 0.1% by weight in homogenous materials for lead, hexavalent chromium, mercury, PBB, PBDE, DBP, BBP, DEHP, DIBP, and 0.01% for cadmium, or qualify for an exemption to these limits as defined in the Annexes of Directive 2011/65/EU (RoHS2). Finished electrical and electronic equipment products will be CE marked as required by Directive 2011/65/EU. Components may not be CE marked. Additionally, the part numbers that TE has identified as EU ELV compliant have a maximum concentration of 0.1% by weight in homogenous materials for lead, hexavalent chromium, and mercury, and 0.01% for cadmium, or qualify for an exemption to these limits as defined in the Annexes of Directive 2000/53/EC (ELV). Regarding the REACH Regulation, the information TE provides on SVHC in articles for this part number is based on the latest European Chemicals Agency (ECHA) 'Guidance on requirements for substances in articles' posted at this URL: <https://echa.europa.eu/guidance-documents/guidance-on-reach>

Compatible Parts

TE Part # 59239-4
HHHT PIDG PG 12-10 ASSY

TE Part # 58423-1
DIE, RBY IS9252

TE Part # 58433-3
PRO CR ASSY, RBY IS9252

TE Part # 169404
CERTI-LOK DIE

Also in the Series | PIDG

Compression Connectors(17)

Crimp Terminal Housings(1)

Crimp Wire Pins, Tabs & Ferrules(41)

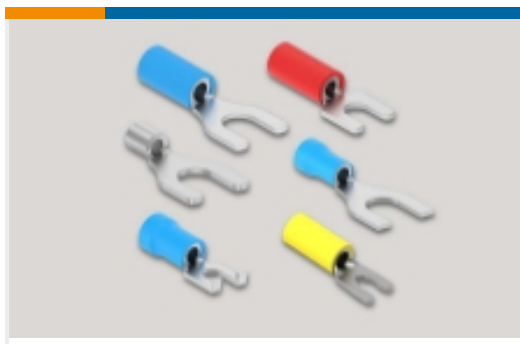
Hand Crimping Tools(2)

Knife Disconnects(11)

PCB Terminals(7)

Quick Disconnects(49)

Ring Terminals(611)



Spade Terminals(233)



Special Purpose Terminals(1)



Splices(46)

Customers Also Bought



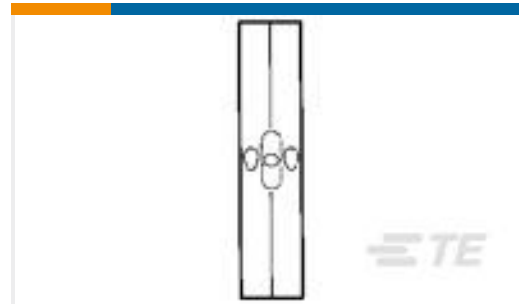
TE Part #1423008-8
T92P7A52-120



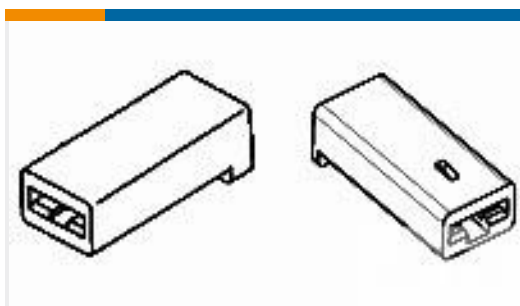
TE Part #328999
TERMINAL,PIDG R 16-14 3/8



TE Part #1-2176051-7
RLP73N 1J R24 1% 1K RL



TE Part #330369
SPLICE,SOLIS BUTT 12-10



TE Part #480054-3
FF 250 REC HSG 1P NYLON NAT



TE Part #184140-1
WIRE SEAL,RUBBER,SENSOR,
ORANGE



TE Part #1546074-5
5 POS 5.08MM TERMI-BLOK TOP WI



TE Part #3-2176325-3
CRGP 0402 4K7 1%



TE Part #2213616-2
HERM BLADE & RECPT,4 POS,POST,
SEL GOLD

Documents

Product Drawings

[TERMINAL,PIDG SPD FLG 12-10 6](#)

English

CAD Files

[3D PDF](#)

3D

Customer View Model

[ENG_CVM_CVM_8-325150-2_K.2d_dxf.zip](#)



English

Customer View Model

[ENG_CVM_CVM_8-325150-2_K.3d_igs.zip](#)

English

Customer View Model

[ENG_CVM_CVM_8-325150-2_K.3d_stp.zip](#)

English

By downloading the CAD file I accept and agree to the [Terms and Conditions](#) of use.

Product Specifications

[Application Specification](#)

English