

8-324001-1 ✓ ACTIVE

SOLISTRAND

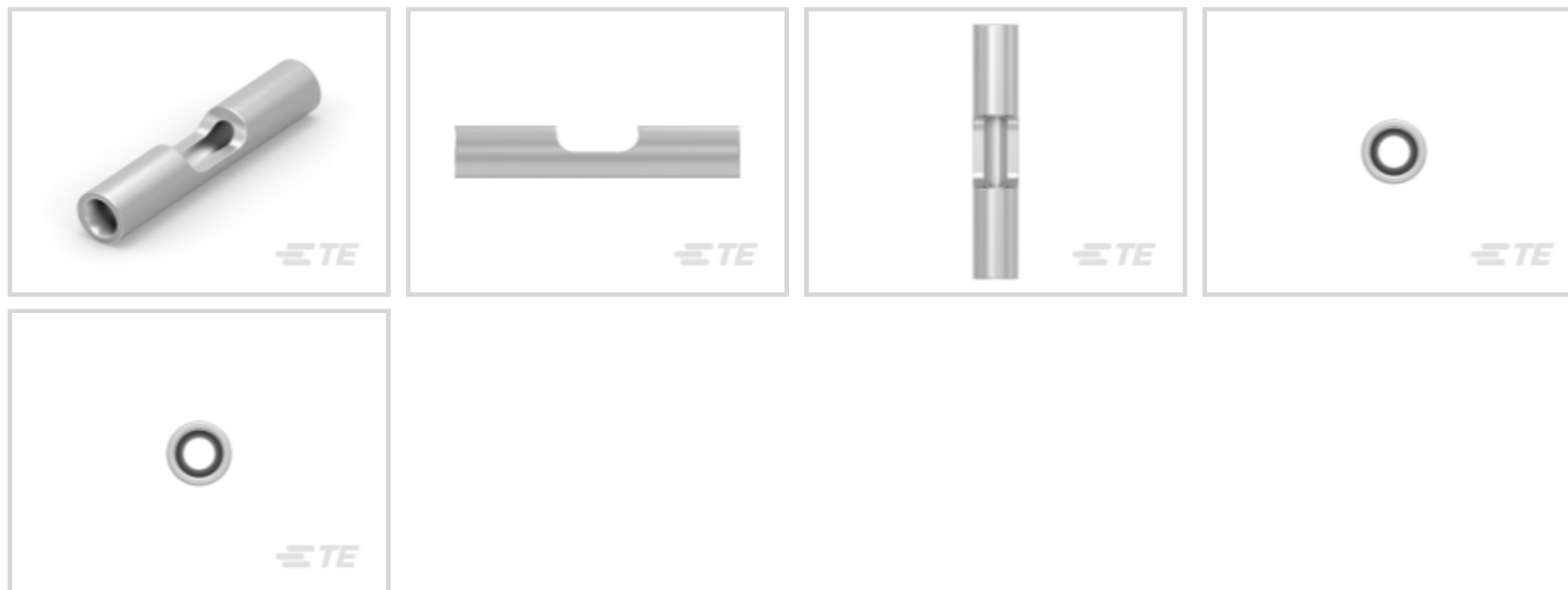
TE Internal #: 8-324001-1

Splices, Butt Splice, 24 – 20 AWG Wire Size, .2 – .6 mm² Wire Size, Serrated, .043 in [1.09 mm] Barrel Inside Diameter, 320 – 1290 CMA Wire Size

[View on TE.com >](#)



Terminals & Splices > Splices



Wire Size: .2 – .6 mm²

Sealable: No

Splice Features: **Serrated**

Barrel Inside Diameter: 1.09 mm [.043 in]

Features

Product Type Features

Splice Accessory Type	Splice
Sealable	No
Splice Type	Butt Splice
Compatible With Discrete Wire Type	Solid, Stranded
Wire Insulation Support Retention Type	Non-Insulation Support

Configuration Features

Compatible With Wire & Cable Type	Discrete Wire
-----------------------------------	---------------

Body Features

Product Weight	.332 g
Splice Features	Serrated

Contact Features

Terminal Plating Material	Tin
Contact Base Material	Copper
Barrel Type	Closed



Mechanical Attachment

Wire Insulation Support	Without
-------------------------	---------

Dimensions

Outside Diameter	2.67 mm[.105 in]
Wire Size	320 – 1290 CMA
Barrel Inside Diameter	1.09 mm[.043 in]
Terminal Material Thickness	.6 mm[.024 in]
Product Length	12.45 mm[.49 in]

Usage Conditions

Insulation Option	Uninsulated
Operating Temperature Range	170 °C[338 °F]

Operation/Application

Compatible With Wire Base Material	Copper
------------------------------------	--------

Industry Standards

Government Qualified Splice	No
-----------------------------	----

Packaging Features

Packaging Quantity	100
Packaging Method	Loose Piece

Product Compliance

[For compliance documentation, visit the product page on TE.com>](#)

EU RoHS Directive 2011/65/EU	Compliant
EU ELV Directive 2000/53/EC	Compliant
China RoHS 2 Directive MIIT Order No 32, 2016	No Restricted Materials Above Threshold
EU REACH Regulation (EC) No. 1907/2006	Current ECHA Candidate List: JUNE 2023 (235) Candidate List Declared Against: JUNE 2023 (235) Does not contain REACH SVHC
Halogen Content	Low Halogen - Br, Cl, F, I < 900 ppm per homogenous material. Also BFR/CFR/PVC Free
Solder Process Capability	Not applicable for solder process capability

Product Compliance Disclaimer



This information is provided based on reasonable inquiry of our suppliers and represents our current actual knowledge based on the information they provided. This information is subject to change. The part numbers that TE has identified as EU RoHS compliant have a maximum concentration of 0.1% by weight in homogenous materials for lead, hexavalent chromium, mercury, PBB, PBDE, DBP, BBP, DEHP, DIBP, and 0.01% for cadmium, or qualify for an exemption to these limits as defined in the Annexes of Directive 2011/65/EU (RoHS2). Finished electrical and electronic equipment products will be CE marked as required by Directive 2011/65/EU. Components may not be CE marked. Additionally, the part numbers that TE has identified as EU ELV compliant have a maximum concentration of 0.1% by weight in homogenous materials for lead, hexavalent chromium, and mercury, and 0.01% for cadmium, or qualify for an exemption to these limits as defined in the Annexes of Directive 2000/53/EC (ELV). Regarding the REACH Regulation, the information TE provides on SVHC in articles for this part number is based on the latest European Chemicals Agency (ECHA) 'Guidance on requirements for substances in articles' posted at this URL: <https://echa.europa.eu/guidance-documents/guidance-on-reach>

Compatible Parts



REPRESENTATION ONLY

TE Part # 69363
DAHT STRATO SOLIS 26-20 ASSY

Customers Also Bought



TE Part #1558661-3
T9GV1L14-12



TE Part #1-332056-0
FERRULE, SUB MIN



TE Part #170360-3
MINI UNIVERSAL M-N-L PIN



TE Part #202236-6
III+ PIN,SOLTAB,TIN,SMPAC



TE Part #LL01-1AA01
LL01 1/4" NPT 15" CABLE 80C



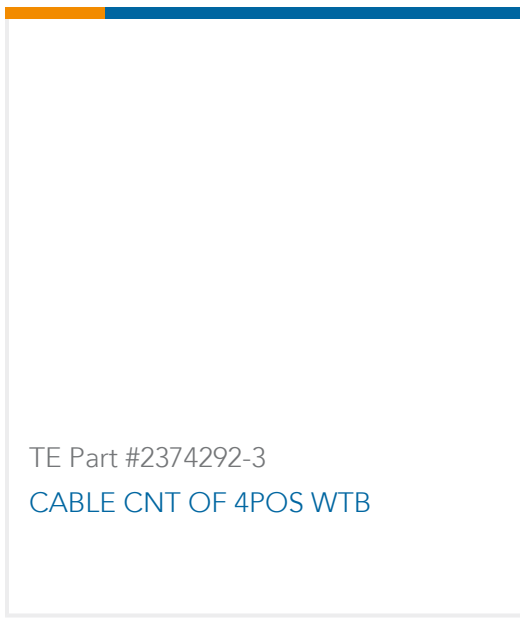
TE Part #51565-1
SUB MIN SOCKET



TE Part #226537-1
SUB MIN PIN MULTIMATE



TE Part #3-640429-5
05P MTA156 CONN ASSY 24AWG WHT



Documents

Product Drawings

[SPLICE,SOLIS BUTT STRAP 24-20](#)

English

CAD Files

Customer View Model

[ENG_CVM_8-324001-1_G.3d_igs.zip](#)

English

Customer View Model

[ENG_CVM_8-324001-1_G.3d_stp.zip](#)

English

Customer View Model

[ENG_CVM_8-324001-1_G.2d_dxf.zip](#)

English

[3D PDF](#)

3D

[3D PDF](#)

3D

Customer View Model

[ENG_CVM_CVM_8-324001-1_M.2d_dxf.zip](#)

English

Customer View Model

[ENG_CVM_CVM_8-324001-1_M.3d_igs.zip](#)

English

Customer View Model

[ENG_CVM_CVM_8-324001-1_M.3d_stp.zip](#)

English

By downloading the CAD file I accept and agree to the [Terms and Conditions](#) of use.

Product Environmental Compliance

[Product Compliance](#)

English

[Product Compliance](#)

English



[Agency Approvals](#)

[UL Report](#)

English