

# RU73X2A2K0LTDF ✓ ACTIVE

Holsworthy | Holsworthy RU73

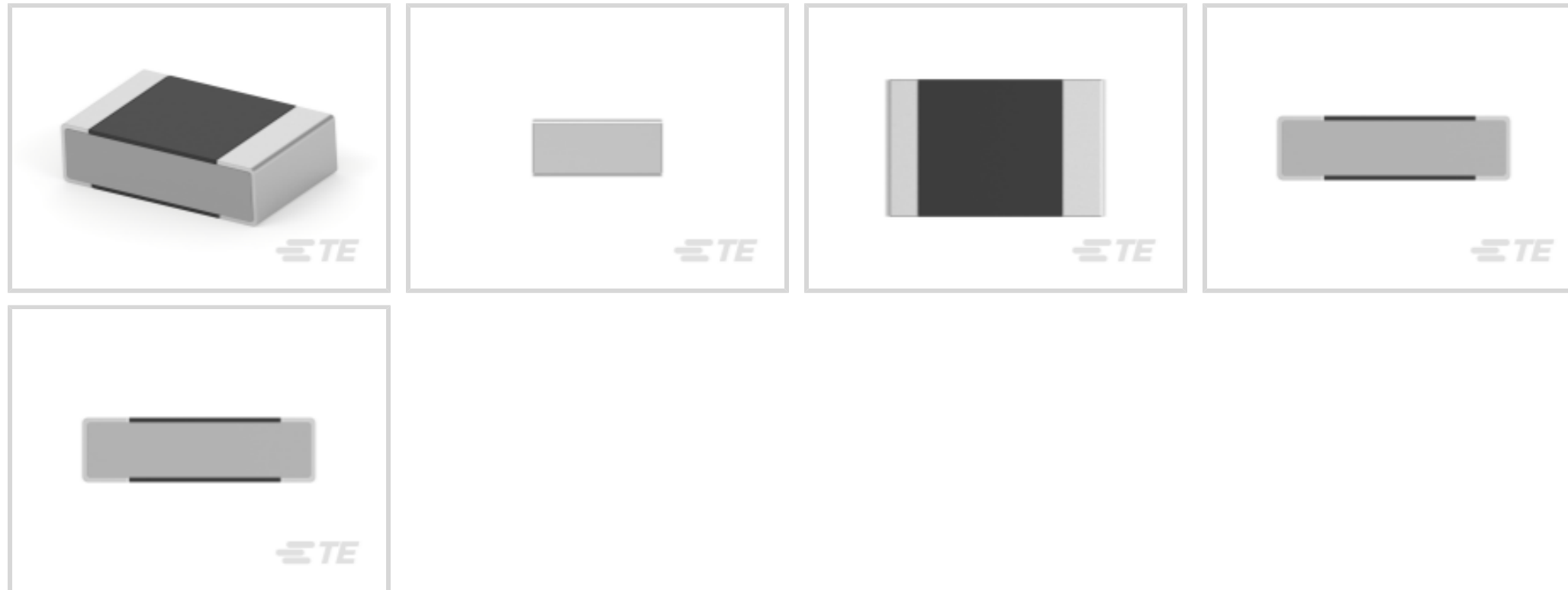
TE Internal #: 8-2176271-5

2K  $\Omega$ , Thin Film, Precision Resistor, .01 %, 2 Termination, 0805, Taped & Reeled, .1 W,  $\pm 3$  ppm/ $^{\circ}\text{C}$ , Solder, 2 x 1.25 x .55 mm, Holsworthy RU73

[View on TE.com >](#)



Passive Components > Resistors > Surface Mount Resistors



Resistor Type: **Precision Resistor**

Number of Terminations: **2**

Package Size Code: **0805**

Packaging Method: **Taped & Reeled**

Passive Component Tolerance: **.01 %**

## Features

### Product Type Features

Product Type	Fixed Resistor
Resistor Type	Precision Resistor
Package Size Code	0805
Element Type	Thin Film

### Configuration Features

Number of Resistors	1
---------------------	---

### Electrical Characteristics

Voltage Rating	100 V
Passive Component Tolerance	.01 %
Resistance Class	1k $\Omega$ – 1M $\Omega$
Resistance Value	2K $\Omega$
Power Rating	.1 W

### Termination Features

Number of Terminations	2
------------------------	---



Surface Mount Resistor Termination Type	Solder
---	--------

**Dimensions**

Passive Component Dimensions	2 x 1.25 x .55 mm
------------------------------	-------------------

**Usage Conditions**

Temperature Coefficient	$\pm 3$ ppm/ $^{\circ}\text{C}$
-------------------------	---------------------------------

**Packaging Features**

Packaging Method	Taped & Reeled
------------------	----------------

**Product Compliance**

[For compliance documentation, visit the product page on TE.com>](#)

EU RoHS Directive 2011/65/EU	Compliant
EU ELV Directive 2000/53/EC	Compliant
China RoHS 2 Directive MIIT Order No 32, 2016	No Restricted Materials Above Threshold
EU REACH Regulation (EC) No. 1907/2006	Current ECHA Candidate List: JUNE 2023 (235) Candidate List Declared Against: JUNE 2023 (235) Does not contain REACH SVHC
Halogen Content	Low Halogen - Br, Cl, F, I < 900 ppm per homogenous material. Also BFR/CFR/PVC Free
Solder Process Capability	Reflow solder capable to 260 $^{\circ}\text{C}$

Product Compliance Disclaimer

This information is provided based on reasonable inquiry of our suppliers and represents our current actual knowledge based on the information they provided. This information is subject to change. The part numbers that TE has identified as EU RoHS compliant have a maximum concentration of 0.1% by weight in homogenous materials for lead, hexavalent chromium, mercury, PBB, PBDE, DBP, BBP, DEHP, DIBP, and 0.01% for cadmium, or qualify for an exemption to these limits as defined in the Annexes of Directive 2011/65/EU (RoHS2). Finished electrical and electronic equipment products will be CE marked as required by Directive 2011/65/EU. Components may not be CE marked. Additionally, the part numbers that TE has identified as EU ELV compliant have a maximum concentration of 0.1% by weight in homogenous materials for lead, hexavalent chromium, and mercury, and 0.01% for cadmium, or qualify for an exemption to these limits as defined in the Annexes of Directive 2000/53/EC (ELV). Regarding the REACH Regulation, the information TE provides on SVHC in articles for this part number is based on the latest European Chemicals Agency (ECHA) 'Guidance on requirements for substances in articles' posted at this URL: <https://echa.europa.eu/guidance-documents/guidance-on-reach>

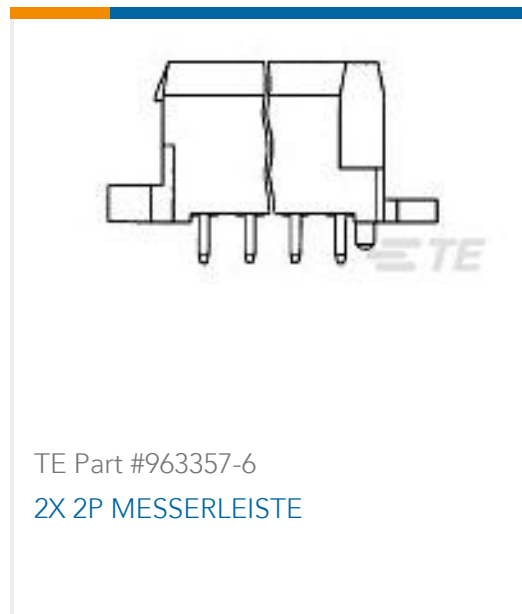
**Compatible Parts**



## Also in the Series | Holsworthy RU73



## Customers Also Bought



## Documents

### Product Drawings

[RU 0805 2K0 0.01% 2PPM 1K RL](#)

English

### Datasheets & Catalog Pages

[Thin film chip resistor RU73 series](#)

English

RU73X2A2K0LTDF

2K  $\Omega$ , Thin Film, Precision Resistor, .01 %, 2 Termination, 0805, Taped & Reeled, .1 W,  $\pm 3$  ppm/ $^{\circ}$ C, Solder, 2 x 1.25 x .55 mm, Holsworthy RU73

