

W67-X2Q52-30 ✓ ACTIVE

Potter & Brumfield | Potter & Brumfield W6

TE Internal #: 8-1393252-6

Circuit Breakers, Magnetic, Series Trip, White, Operating Voltage 65 VDC, 30A Current Rating, 1 Pole, Potter & Brumfield W6

[View on TE.com >](#)



Relays, Contactors & Switches > Circuit Breakers



Circuit Breaker Type: **Magnetic**

Circuit Function: **Series Trip**

Illuminated: **No**

Actuator Color: **White**

Operating Voltage: **65 VDC**

Features

Product Type Features

Illumination Type	No Light
Actuator Type	Toggle
Terminal Configuration	6.35 [.25] Straight Quick Connect Tab
Circuit Breaker Type	Magnetic
Illuminated	No

Configuration Features

	.75 x 1.66 in
Circuit Function	Series Trip
Number of Poles	1

Electrical Characteristics

Operating Voltage	65 VDC
Current Rating	30 A
Interrupt Capacity	5000A @ 277VAC

Body Features

Actuator Color	White
----------------	-------

Contact Features

Trip Time at 200%	2.2 – 20 seconds
-------------------	------------------

Mechanical Attachment



Mounting Options	6-32 Mounting Threads
------------------	-----------------------

Dimensions

	.047 – .11 in
Product Height	50.8 mm[2 in]

Identification Marking

Stamped Marking Type	International I/O
----------------------	-------------------

Product Compliance

[For compliance documentation, visit the product page on TE.com>](#)

EU RoHS Directive 2011/65/EU	Compliant with Exemptions
EU ELV Directive 2000/53/EC	Not Compliant
China RoHS 2 Directive MIIT Order No 32, 2016	Restricted Materials Above Threshold
EU REACH Regulation (EC) No. 1907/2006	Current ECHA Candidate List: JUNE 2023 (235) Candidate List Declared Against: JUNE 2022 (224) SVHC > Threshold: Cadmium oxide (7.95% in Component Part) Article Safe Usage Statements: Use personal protective equipment as required. Do not eat, drink or smoke when using this product. Recycle if possible and dispose of the article by following all applicable governmental regulations relevant to your geographic location.
Halogen Content	Not Low Halogen - contains Br or Cl > 900 ppm.
Solder Process Capability	Not applicable for solder process capability

Product Compliance Disclaimer

This information is provided based on reasonable inquiry of our suppliers and represents our current actual knowledge based on the information they provided. This information is subject to change. The part numbers that TE has identified as EU RoHS compliant have a maximum concentration of 0.1% by weight in homogenous materials for lead, hexavalent chromium, mercury, PBB, PBDE, DBP, BBP, DEHP, DIBP, and 0.01% for cadmium, or qualify for an exemption to these limits as defined in the Annexes of Directive 2011/65/EU (RoHS2). Finished electrical and electronic equipment products will be CE marked as required by Directive 2011/65/EU. Components may not be CE marked. Additionally, the part numbers that TE has identified as EU ELV compliant have a maximum concentration of 0.1% by weight in homogenous materials for lead, hexavalent chromium, and mercury, and 0.01% for cadmium, or qualify for an exemption to these limits as defined in the Annexes of Directive 2000/53/EC (ELV). Regarding the REACH Regulation, the information TE provides on SVHC in articles for this part number is based on the latest European Chemicals Agency (ECHA) 'Guidance on requirements for substances in articles' posted at this URL: <https://echa.europa.eu/guidance-documents/guidance-on-reach>

Compatible Parts



TE Part # 6-1393252-1
W67-X2Q12-30=M6/M7/M9/W6/W7



TE Part # 7-1393252-8
W67-X2Q50-30=M6/M7/M9/W6/W7

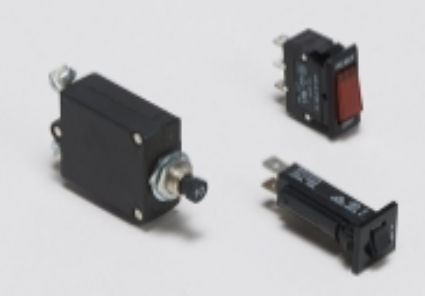


TE Part # 175022-1
250 PL EX REC. 18-14AWG PTBR



TE Part # 7-1393252-2
W67-X2Q13-30=M6/M7/M9/W6/W7

Also in the Series | Potter & Brumfield W6



Circuit Breakers(70)

Customers Also Bought



TE Part #2-6609115-2
6EGG1-1 SHORT VERS=F7382E



TE Part #5747841-3
15 MSFL PLUG RA 318 (IN,FM,BL)



TE Part #T4171010005-001
M12,REAR MOUNTING,MALE,A,5P,0.2 M WIRE



TE Part #1648152-1
241-28-01100



TE Part #1766283-1
CONTACT,PIN,#4,M5



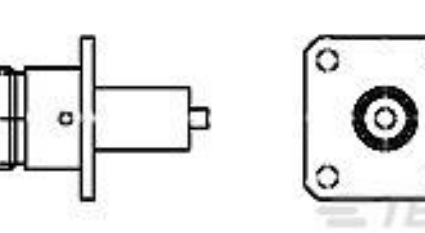
TE Part #1766274-1
CONTACT,PIN,#0




TE Part #6609075-6
6DAF1=F7978 S0



TE Part #1052902-1
2052 5674 02



TE Part #1057290-1
3052 1201 10,N SERIES FM PLUG



TE Part #9-1462038-9
IM03DGR=IM RELAY 140mW 5V



Documents

CAD Files

3D PDF

3D

Customer View Model

[ENG_CVM_CVM_8-1393252-6_C.2d_dxf.zip](#)

English

Customer View Model

[ENG_CVM_CVM_8-1393252-6_C.3d_igs.zip](#)

English

Customer View Model

[ENG_CVM_CVM_8-1393252-6_C.3d_stp.zip](#)

English

Customer View Model

[ENG_CVM_8-1393252-6_1106.3d_igs.zip](#)

English

Customer View Model

[ENG_CVM_8-1393252-6_1106.3d_stp.zip](#)

English

Customer View Model

[ENG_CVM_8-1393252-6_1106.2d_dxf.zip](#)

English

3D PDF

English

By downloading the CAD file I accept and agree to the [Terms and Conditions](#) of use.

Datasheets & Catalog Pages

[W6/W9 Magnetic Hydraulic Circuit Breaker](#)

English

Agency Approvals

[UL](#)

English