

KUMP-14A18-240 ✓ ACTIVE

Potter & Brumfield | Potter & Brumfield KUMP

TE Internal #: 8-1393116-6

Power Relays, Industrial Panel Plug-In, Monostable, AC, 2.9 VA Coil

Power Rating AC, 7200 Ω Coil Resistance, Potter & Brumfield KUMP

[View on TE.com >](#)



Relays, Contactors & Switches > Relays > Power Relays



Power Relay Type: **Industrial Panel Plug-In**

Coil Magnetic System: **Monostable, AC**

Coil Power Rating Class: **[2 – 3 VA]**

Coil Power Rating AC: **2.9 VA**

Coil Resistance: **7200 Ω**

Features

Product Type Features

| | |
|------------------|--------------------------|
| Power Relay Type | Industrial Panel Plug-In |
|------------------|--------------------------|

Electrical Characteristics

| | |
|--|----------------------------|
| Insulation Initial Dielectric Between Coil & Contact Class | 1500 – 2500 V |
| Insulation Initial Dielectric Between Contacts & Coil | 2200 Vrms |
| Actuating System | AC |
| Insulation Initial Dielectric Between Open Contacts | 1200 Vrms |
| Insulation Initial Dielectric Between Adjacent Contacts | 2200 Vrms |
| Insulation Initial Resistance | 100 M Ω |
| Coil Magnetic System | Monostable, AC |
| Coil Power Rating Class | 2 – 3 VA |
| Coil Power Rating AC | 2.9 VA |
| Coil Resistance | 7200 Ω |
| Coil Special Features | UL Coil Insulation Class B |
| Coil Voltage Rating | 240 VAC |
| Contact Switching Load (Min) | 300mA @ 12V |
| Contact Voltage Rating | 277 VAC |

Body Features

| | |
|----------------|----------------|
| Product Weight | 85 g[2.988 oz] |
|----------------|----------------|

Contact Features



| | |
|------------------------------|-----------------------|
| Contact Arrangement | 3 Form C (CO) |
| Contact Current Class | 10 – 20 A, 16 A |
| Contact Current Rating (Max) | 15 A |
| Contact Material | AgCdO |
| Contact Number of Poles | 3 |
| Relay Terminal Type | Quick Connect, Solder |

Mechanical Attachment

| | |
|---------------------|--------|
| Relay Mounting Type | Socket |
|---------------------|--------|

Dimensions

| | |
|---------------------------|-------------------|
| Length Class (Mechanical) | 35 – 40 mm |
| Height Class (Mechanical) | 40 – 50 mm |
| Width Class (Mechanical) | 30 – 40 mm |
| Product Width | 35.7 mm[1.405 in] |
| Product Length | 38.9 mm[1.55 in] |
| Product Height | 50 mm[1.97 in] |

Usage Conditions

| | |
|---|---------------|
| Environmental Ambient Temperature Class | 0 – 50 °C |
| Environmental Ambient Temperature (Max) | 45 °C[113 °F] |
| Operating Temperature Range | -45 – 45 °C |

Packaging Features

| | |
|------------------|---------|
| Packaging Method | Package |
|------------------|---------|

Product Compliance

[For compliance documentation, visit the product page on TE.com>](#)

| | |
|---|--|
| EU RoHS Directive 2011/65/EU | Compliant with Exemptions |
| EU ELV Directive 2000/53/EC | Not Compliant |
| China RoHS 2 Directive MIIT Order No 32, 2016 | Restricted Materials Above Threshold |
| EU REACH Regulation (EC) No. 1907/2006 | Current ECHA Candidate List: JUNE 2023 (235) Candidate List Declared Against: JUNE 2022 (224) SVHC > Threshold: Cadmium oxide (7.95% in Component part) |

Article Safe Usage Statements:
Use personal protective equipment as required. Do not eat, drink or smoke when using this product. Recycle if possible and dispose of the article by following all applicable governmental regulations relevant to your geographic location.

Halogen Content

Not Yet Reviewed for halogen content

Solder Process Capability

Not applicable for solder process capability

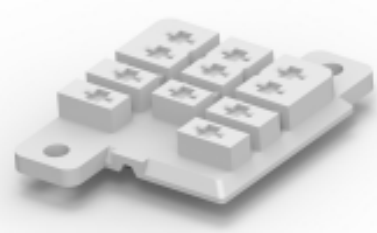
Product Compliance Disclaimer

This information is provided based on reasonable inquiry of our suppliers and represents our current actual knowledge based on the information they provided. This information is subject to change. The part numbers that TE has identified as EU RoHS compliant have a maximum concentration of 0.1% by weight in homogenous materials for lead, hexavalent chromium, mercury, PBB, PBDE, DBP, BBP, DEHP, DIBP, and 0.01% for cadmium, or qualify for an exemption to these limits as defined in the Annexes of Directive 2011/65/EU (RoHS2). Finished electrical and electronic equipment products will be CE marked as required by Directive 2011/65/EU. Components may not be CE marked. Additionally, the part numbers that TE has identified as EU ELV compliant have a maximum concentration of 0.1% by weight in homogenous materials for lead, hexavalent chromium, and mercury, and 0.01% for cadmium, or qualify for an exemption to these limits as defined in the Annexes of Directive 2000/53/EC (ELV). Regarding the REACH Regulation, the information TE provides on SVHC in articles for this part number is based on the latest European Chemicals Agency (ECHA) 'Guidance on requirements for substances in articles' posted at this URL: <https://echa.europa.eu/guidance-documents/guidance-on-reach>

Compatible Parts



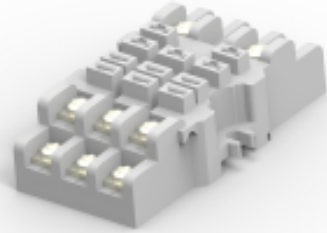
TE Part # 2-1419106-5
27E893=SOCKET,KU,11,QC,POLY,NA-



TE Part # 1419106-4
27E046=SOCKET,KU,11,PC,NYL,NAT



TE Part # 1393143-1
27E043=SOCKET,KU,11,SLG,NYL,N



TE Part # 1393143-5
27E121=SOCKET,KUP,11,SCW,PLE

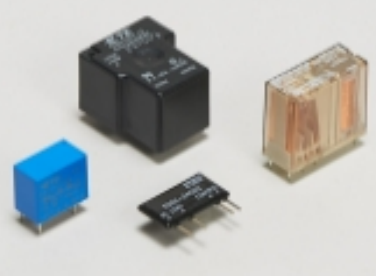


TE Part # 1393143-2
27E067=SOCKET,KU,11,QC.187,NY



TE Part # 3-1393143-8
27E396=SOCKETS

Also in the Series | Potter & Brumfield KUMP



Power Relays(32)

Customers Also Bought



TE Part #211400-1
CPC PLUG ASSEMBLY SIZE 13-7



TE Part #WM-3P
WEDGE LOCK, 3P, REC, ORG, DTM



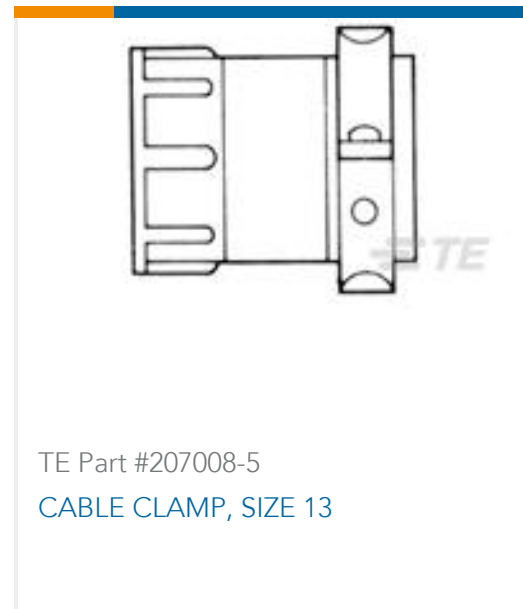
TE Part #776427-1
AS 16, 2P PLUG ASSY, KEY 1



TE Part #66602-8
III+ PIN, 18-14, TIN, LP



TE Part #1062-16-0122
SOC, SF, SIZE 16, 14-18, NI/SN



TE Part #207008-5
CABLE CLAMP, SIZE 13



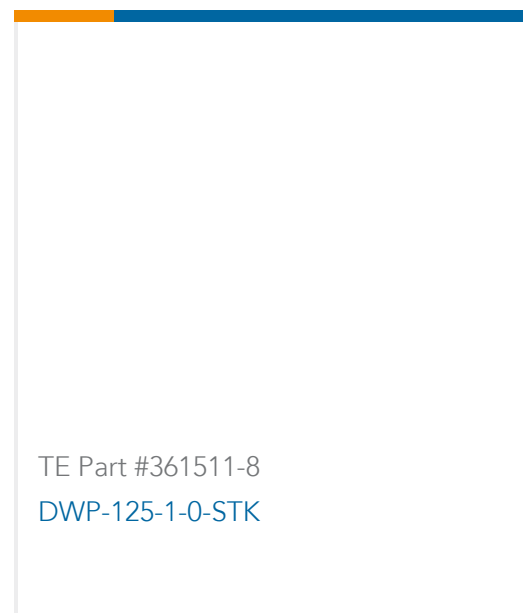
TE Part #9-1423364-6
W57-XB1A7A10-5=CKTBKR,THERM,
PB,SCW/QC



TE Part #931901-000
2021D0309-0



TE Part #1060-20-0122
PIN, SF, SIZE 20, 16-22, NI/NI



TE Part #361511-8
DWP-125-1-0-STK

Documents

CAD Files

3D PDF

3D

Customer View Model

[ENG_CVM_CVM_8-1393116-6_D.2d_dxf.zip](#)

English

Customer View Model

[ENG_CVM_CVM_8-1393116-6_D.3d_igs.zip](#)

English

Customer View Model

[ENG_CVM_CVM_8-1393116-6_D.3d_stp.zip](#)

English

By downloading the CAD file I accept and agree to the [Terms and Conditions](#) of use.

Datasheets & Catalog Pages

[KUM-KUMP Series Relay Datasheet](#)

English

Product Specifications



Definitions General Purpose Relays

English

Agency Approvals

UL

English