



Connectors > Terminal Blocks & Strips > PCB Terminal Blocks



Terminal Block Connector Type: **Header**

Connector System: **Wire-to-Board**

Number of Positions: **2**

Centerline (Pitch): **5.08 mm [ .2 in ]**

Number of Rows: **1**

## Features

### Product Type Features

Header Type	Fully Shrouded
Terminal Block Connector Type	Header
Connector System	Wire-to-Board
Connector & Contact Terminates To	Printed Circuit Board

### Configuration Features

Number of Positions	2
Number of Rows	1

### Electrical Characteristics

Operating Voltage	300 VAC
-------------------	---------

### Body Features

Primary Product Color	Green
Product Orientation	Right Angle

### Contact Features

--	--



Contact Mating Area Plating Material	Tin
Contact Base Material	Copper Alloy
Contact Current Rating (Max)	15 A

#### Termination Features

Termination Post & Tail Length	3.5 mm[.138 in]
Termination Method to Printed Circuit Board	Through Hole - Solder

#### Mechanical Attachment

Mounting Retention Type	Thread
Connector Mounting Type	Board Mount

#### Housing Features

Housing Material	PA 66
Centerline (Pitch)	5.08 mm[.2 in]

#### Dimensions

Wire Size	.05 – 3 mm <sup>2</sup>
-----------	-------------------------

#### Usage Conditions

Operating Temperature Range	-40 – 105 °C[-40 – 221 °F]
-----------------------------	----------------------------

#### Operation/Application

Circuit Application	Power & Signal
---------------------	----------------

#### Packaging Features

Packaging Quantity	300
Packaging Method	Carton

#### Product Compliance

For compliance documentation, visit the product page on [TE.com](https://www.te.com)>

EU RoHS Directive 2011/65/EU	Not Yet Reviewed
EU ELV Directive 2000/53/EC	Compliant
China RoHS 2 Directive MIIT Order No 32, 2016	Not reviewed for China RoHS compliance
EU REACH Regulation (EC) No. 1907/2006	Current ECHA Candidate List: JUNE 2023 (235) Candidate List Declared Against: JUNE 2023 (235) Does not contain REACH SVHC
Halogen Content	Low Halogen - Br, Cl, F, I < 900 ppm per homogenous material. Also BFR/CFR/PVC

Free

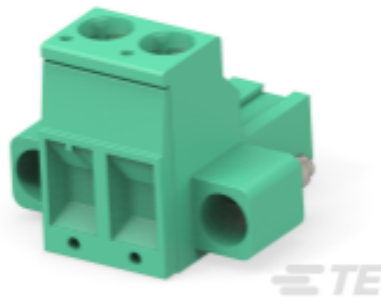
Solder Process Capability

Wave solder capable to 265°C

Product Compliance Disclaimer

This information is provided based on reasonable inquiry of our suppliers and represents our current actual knowledge based on the information they provided. This information is subject to change. The part numbers that TE has identified as EU RoHS compliant have a maximum concentration of 0.1% by weight in homogenous materials for lead, hexavalent chromium, mercury, PBB, PBDE, DBP, BBP, DEHP, DIBP, and 0.01% for cadmium, or qualify for an exemption to these limits as defined in the Annexes of Directive 2011/65/EU (RoHS2). Finished electrical and electronic equipment products will be CE marked as required by Directive 2011/65/EU. Components may not be CE marked. Additionally, the part numbers that TE has identified as EU ELV compliant have a maximum concentration of 0.1% by weight in homogenous materials for lead, hexavalent chromium, and mercury, and 0.01% for cadmium, or qualify for an exemption to these limits as defined in the Annexes of Directive 2000/53/EC (ELV). Regarding the REACH Regulation, the information TE provides on SVHC in articles for this part number is based on the latest European Chemicals Agency (ECHA) 'Guidance on requirements for substances in articles' posted at this URL: <https://echa.europa.eu/guidance-documents/guidance-on-reach>

### Compatible Parts



TE Part # 796859-2  
2 POS TERMI-BLOK PLUG RT ANGLE



TE Part # 796861-2  
2 POS TERMI-BLOK PLUG VERTICAL

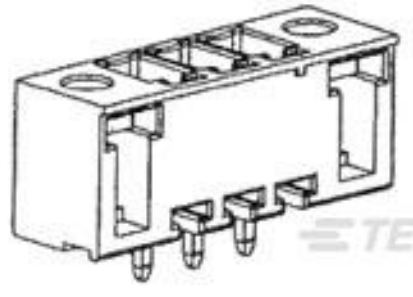


TE Part # 796863-2  
2 POS TERMI-BLOK PLUG VERTICAL

### Customers Also Bought



TE Part #1-1625984-0  
HSA50 150R 5%



TE Part #796867-3  
3 POS TERMI-BLOK HDR VERTICAL



TE Part #1445957-5  
HSG SUB ASY,RED



TE Part #1-350778-9  
02P UMNL V0 CAP HSG BLACK



TE Part #640388-3  
03P MTA156 HDR ASSY RN STR F/L



TE Part #640388-4  
04P MTA156 HDR ASSY RN STR F/L



TE Part #1445957-2  
HSG SUB ASY,BLACK



TE Part #7-1393254-7  
W92-X112-30=M6/M7/M9/W6/W7



## Documents

### CAD Files

3D PDF

3D

Customer View Model

[ENG\\_CVM\\_CVM\\_796866-2\\_B.2d\\_dxf.zip](#)

English

Customer View Model

[ENG\\_CVM\\_CVM\\_796866-2\\_B.3d\\_igs.zip](#)

English

Customer View Model

[ENG\\_CVM\\_CVM\\_796866-2\\_B.3d\\_stp.zip](#)

English

Customer View Model

[ENG\\_CVM\\_796866-2\\_B1.3d\\_igs.zip](#)

English

Customer View Model

[ENG\\_CVM\\_796866-2\\_B1.3d\\_stp.zip](#)

English

Customer View Model

[ENG\\_CVM\\_796866-2\\_B1.2d\\_dxf.zip](#)

English

3D PDF

English

By downloading the CAD file I accept and agree to the [Terms and Conditions](#) of use.

### Datasheets & Catalog Pages

[Eurostyle Terminal Blocks Focus Product Stock List](#)

English

[BUCHANAN TERMINAL BLOCKS CATALOG - EUROSTYLE TERMINAL BLOCKS](#)

English

[BUCHANAN PCB TERMINAL BLOCKS](#)

English

[1-1773458-1\\_EURO\\_STYLE\\_TERMINAL\\_BLOCKS\\_QRG](#)

English



**Product Specifications**

**Application Specification**

English

---

**Agency Approvals**

**UL**

English