

796640-9 ✓ ACTIVE

Buchanan

TE Internal #: 796640-9

PCB Terminal Blocks, Plug, Wire-to-Board, 9 Position, .197 in [5 mm] Centerline, 1 Row, 180° Wire Entry Angle, 30 – 12 AWG Wire Size

[View on TE.com >](#)



Connectors > Terminal Blocks & Strips > PCB Terminal Blocks



Terminal Block Connector Type: **Plug**

Connector System: **Wire-to-Board**

Number of Positions: **9**

Centerline (Pitch): **5 mm [ .197 in ]**

Number of Rows: **1**

## Features

### Product Type Features

Wire Protection	With
Terminal Block Connector Type	Plug
Connector System	Wire-to-Board
Connector & Contact Terminates To	Wire & Cable

### Configuration Features

Wire Entry Location	Side
Stacking Configuration	Side Stackable
Number of Positions	9
Number of Rows	1
Wire Entry Angle	180°

### Electrical Characteristics

Operating Voltage	300 VAC
-------------------	---------

### Body Features

Primary Product Color	Green
Product Orientation	Right Angle

### Contact Features

Contact Mating Area Plating Material	Tin
--------------------------------------	-----



Contact Base Material	Phosphor Bronze
-----------------------	-----------------

Contact Current Rating (Max)	15 A
------------------------------	------

### Mechanical Attachment

Screw Plating Material	Nickel
------------------------	--------

Screw Material	Brass
----------------	-------

Thread Size	M3
-------------	----

### Housing Features

Housing Material	PA 66
------------------	-------

Centerline (Pitch)	5 mm [.197 in]
--------------------	----------------

### Dimensions

Wire Size	.05 – 3 mm <sup>2</sup>
-----------	-------------------------

### Usage Conditions

Operating Temperature Range	-40 – 105 °C [-40 – 221 °F]
-----------------------------	-----------------------------

### Operation/Application

Circuit Application	Power & Signal
---------------------	----------------

### Packaging Features

Packaging Quantity	100
--------------------	-----

Packaging Method	Box
------------------	-----

## Product Compliance

[For compliance documentation, visit the product page on TE.com>](#)

EU RoHS Directive 2011/65/EU	Compliant with Exemptions
------------------------------	---------------------------

EU ELV Directive 2000/53/EC	Compliant with Exemptions
-----------------------------	---------------------------

China RoHS 2 Directive MIIT Order No 32, 2016	Restricted Materials Above Threshold
---	--------------------------------------

EU REACH Regulation (EC) No. 1907/2006	<p>Current ECHA Candidate List: JUNE 2023 (235)  Candidate List Declared Against: JUNE 2023 (235)  SVHC &gt; Threshold:  Pb (.94% in Component Part)</p>
--	--

**Article Safe Usage Statements:**  
Do not eat, drink or smoke when using this product. Wash thoroughly after handling. Recycle if possible and dispose of the article by following all applicable governmental regulations relevant to your geographic location.

Halogen Content	Low Halogen - Br, Cl, F, I < 900 ppm per homogenous material. Also BFR/CFR/PVC Free
-----------------	---

Solder Process Capability

Not applicable for solder process capability

Product Compliance Disclaimer

This information is provided based on reasonable inquiry of our suppliers and represents our current actual knowledge based on the information they provided. This information is subject to change. The part numbers that TE has identified as EU RoHS compliant have a maximum concentration of 0.1% by weight in homogenous materials for lead, hexavalent chromium, mercury, PBB, PBDE, DBP, BBP, DEHP, DIBP, and 0.01% for cadmium, or qualify for an exemption to these limits as defined in the Annexes of Directive 2011/65/EU (RoHS2). Finished electrical and electronic equipment products will be CE marked as required by Directive 2011/65/EU. Components may not be CE marked. Additionally, the part numbers that TE has identified as EU ELV compliant have a maximum concentration of 0.1% by weight in homogenous materials for lead, hexavalent chromium, and mercury, and 0.01% for cadmium, or qualify for an exemption to these limits as defined in the Annexes of Directive 2000/53/EC (ELV). Regarding the REACH Regulation, the information TE provides on SVHC in articles for this part number is based on the latest European Chemicals Agency (ECHA) 'Guidance on requirements for substances in articles' posted at this URL: <https://echa.europa.eu/guidance-documents/guidance-on-reach>

### Compatible Parts



TE Part # 796644-9  
9POS 5.0MM CE R/A HDR,TRM BLK



TE Part # 796642-9  
9POS 5.0MM CE VRT HDR,TRM BLK



TE Part # 1776138-9  
9P TERMI-BLOK HDR,HIGH TEMP



TE Part # 1776146-9  
9P TERMI-BLOK HDR,HIGH TEMP



TE Part # 1776148-9  
9P TERMI-BLOK HDR,HIGH TEMP



TE Part # 1776829-9  
TERMI-BLOK PCB MOUNT 180 9P.5



TE Part # 282812-9  
TERMI-BLOK HEADER,ASSY 9P. 5



TE Part # 282822-9  
TERMI-BLOK HEADER,ASSY90 9P.



TE Part # 796696-9  
TERMI-BLOK PLUG STACKING 9POS.

### Customers Also Bought



TE Part #1546306-6  
6P .374" DR BARRIER STRIP



TE Part #62274-1  
250 FASTON REC 22-18 AWG TPBR



TE Part #9-1437652-5  
6PCV-06-006=6PCV ASSEMBLY



TE Part #3-1393115-2  
KUL-11D15D-24=KU



TE Part #1825603-1  
BP1532004=Boot,Pushbutton



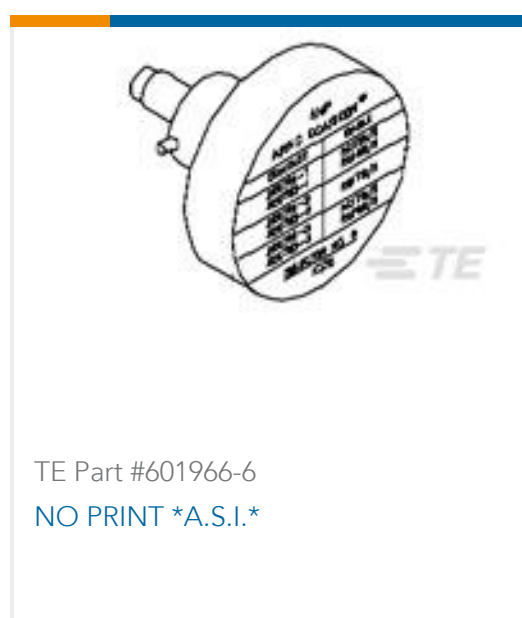
TE Part #6609000-7  
6EEA1=F7116 S0



TE Part #531230-2  
SHUNT, .200 C/L,LP,2 POS, 15AU



TE Part #EK5482-000  
44A0221-20-2/8



TE Part #601966-6  
NO PRINT \*A.S.I.\*

## Documents

### CAD Files

Customer View Model

[ENG\\_CVM\\_CVM\\_796640-9\\_E1.3d\\_igs.zip](#)

English

Customer View Model

[ENG\\_CVM\\_CVM\\_796640-9\\_E1.3d\\_stp.zip](#)

English

Customer View Model

[ENG\\_CVM\\_CVM\\_796640-9\\_E1.2d\\_dxf.zip](#)

English

3D PDF

3D

By downloading the CAD file I accept and agree to the [Terms and Conditions](#) of use.

### Datasheets & Catalog Pages

[BUCHANAN TERMINAL BLOCKS CATALOG - EUROSTYLE TERMINAL BLOCKS](#)

English

[1-1773458-1\\_EURO\\_STYLE\\_TERMINAL\\_BLOCKS\\_ORG](#)

English



---

**Product Specifications**

**Application Specification**

English

---

**Agency Approvals**

**UL**

English