

794958-1 ✓ ACTIVE

VAL-U-LOK

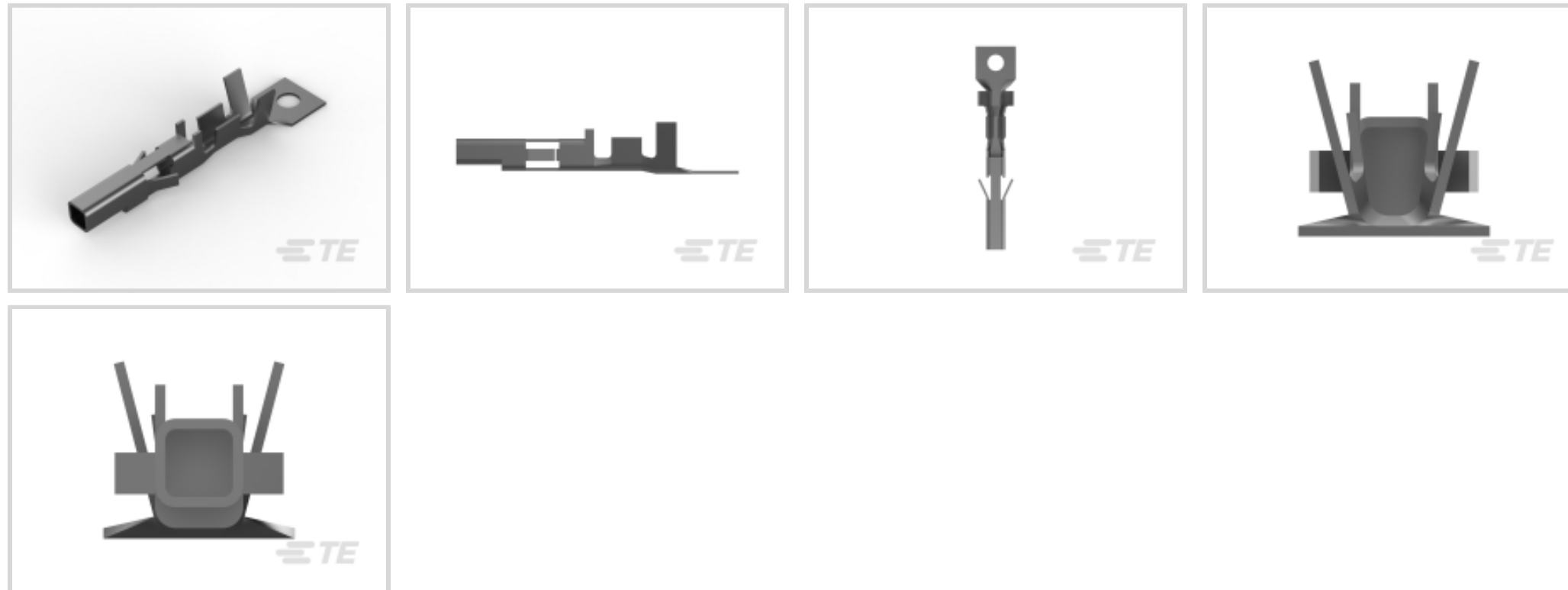
TE Internal #: 794958-1

Power Contacts, Contact, 600 VAC, Tin, 26 – 22 AWG Wire Size, .13 – .33 mm² Wire Size, Wire & Cable, Crimp, Power, Socket, -40 – 105 °C [-40 – 221 °F]

[View on TE.com >](#)



Connectors > Power Connectors > Power Contacts



Power Contact Type: **Contact**

Operating Voltage: **600 VAC**

Contact Mating Area Plating Material: **Tin**

Wire Size: **.13 – .33 mm²**

Features

Product Type Features

Power Contact Type	Contact
Connector & Contact Terminates To	Wire & Cable

Electrical Characteristics

Operating Voltage	600 VAC
-------------------	---------

Contact Features

Contact Shape & Form	Single Beam
Contact Mating Area Plating Material	Tin
Contact Current Rating (Max)	9 A
Contact Type	Socket
Contact Retention Within Housing	With
Mating Square Post Dimension	1.14 mm[.045 in]
Contact Base Material	Brass
Contact Mating Area Plating Material Thickness	2.54 µm[100 µin]
Wire Contact Termination Area Plating Thickness	2.54 µm[100 µin]
Wire Contact Termination Area Plating Material	Pre-Tin



Wire Contact Termination Area Plating Material Finish	Bright
---	--------

Contact Orientation	Straight
---------------------	----------

Termination Features

Termination Method to Wire & Cable	Crimp
------------------------------------	-------

Mechanical Attachment

Wire Insulation Support	Without
-------------------------	---------

Dimensions

Wire Size	.13 – .33 mm ²
-----------	---------------------------

Compatible Insulation Diameter Range	1.19 – 1.75 mm [.047 – .069 in]
--------------------------------------	---------------------------------

Usage Conditions

Operating Temperature Range	-40 – 105 °C [-40 – 221 °F]
-----------------------------	-----------------------------

Operation/Application

Circuit Application	Power
---------------------	-------

Industry Standards

CSA Rating	208567
------------	--------

UL Rating	Recognized
-----------	------------

Agency/Standard	CSA, UL
-----------------	---------

Packaging Features

Packaging Quantity	5000
--------------------	------

Packaging Method	Reel
------------------	------

Product Compliance

For compliance documentation, visit the product page on [TE.com](https://www.te.com)>

EU RoHS Directive 2011/65/EU	Compliant
------------------------------	-----------

EU ELV Directive 2000/53/EC	Compliant
-----------------------------	-----------

China RoHS 2 Directive MIIT Order No 32, 2016	No Restricted Materials Above Threshold
---	---

EU REACH Regulation (EC) No. 1907/2006	Current ECHA Candidate List: JUNE 2023 (235) Candidate List Declared Against: JUNE 2023 (235) Does not contain REACH SVHC
--	---

Halogen Content	Low Halogen - Br, Cl, F, I < 900 ppm per homogenous material. Also BFR/CFR/PVC Free
-----------------	---

Solder Process Capability

Not applicable for solder process capability

Product Compliance Disclaimer

This information is provided based on reasonable inquiry of our suppliers and represents our current actual knowledge based on the information they provided. This information is subject to change. The part numbers that TE has identified as EU RoHS compliant have a maximum concentration of 0.1% by weight in homogenous materials for lead, hexavalent chromium, mercury, PBB, PBDE, DBP, BBP, DEHP, DIBP, and 0.01% for cadmium, or qualify for an exemption to these limits as defined in the Annexes of Directive 2011/65/EU (RoHS2). Finished electrical and electronic equipment products will be CE marked as required by Directive 2011/65/EU. Components may not be CE marked. Additionally, the part numbers that TE has identified as EU ELV compliant have a maximum concentration of 0.1% by weight in homogenous materials for lead, hexavalent chromium, and mercury, and 0.01% for cadmium, or qualify for an exemption to these limits as defined in the Annexes of Directive 2000/53/EC (ELV). Regarding the REACH Regulation, the information TE provides on SVHC in articles for this part number is based on the latest European Chemicals Agency (ECHA) 'Guidance on requirements for substances in articles' posted at this URL: <https://echa.europa.eu/guidance-documents/guidance-on-reach>

Compatible Parts



TE Part # 2238022-1
VAL-U-LOK PIN BR SN 26-22 LP



TE Part # 2305570-1
Strip Terminal Cutter-Side Feed-No Crimp



TE Part # 2-2266139-1
OCEAN-2.0-APPLICATOR-S-055F070F



TE Part # 2-2266139-2
OCEAN-2.0-APPLICATOR-S-055F070FA



TE Part # 2-2836282-1
OCEAN_2.0_Applicator-S-055F062F



TE Part # 2-2836282-2
OCEAN_2.0_Applicator-S-055F062F



TE Part # 2266139-1
OCEAN-2.0-APPLICATOR-S-055F070F



TE Part # 2266139-2
OCEAN-2.0-APPLICATOR-S-055F070FA



TE Part # 2836282-1
OCEAN_2.0_Applicator-S-055F062F



TE Part # 2836282-2
OCEAN_2.0_Applicator-S-055F062F



TE Part # 7-2266139-1
OCEAN-2.0-APPLICATOR-S-055F070F



TE Part # 7-2266139-2
OCEAN-2.0-APPLICATOR-S-055F070FA




KIT

REPRESENTATION ONLY

TE Part # 7-2266139-7
OCEAN_2.0_SPARE_PART_KIT-055F070F



TE Part # 7-2836282-1
OCEAN_2.0_Applicator-S-055F062F



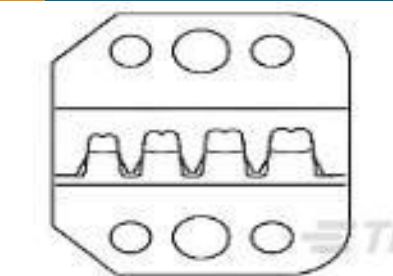
TE Part # 7-2836282-2
OCEAN_2.0_Applicator-S-055F062F



KIT

REPRESENTATION ONLY

TE Part # 7-2836282-7
OCEAN_2.0_SPARE_PART_KIT-055F062F

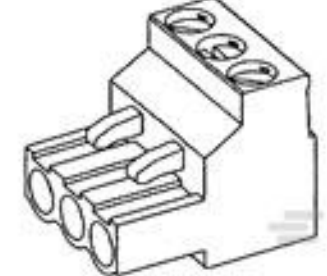


TE Part # 91387-2
PRO-CRIMPER DIE(ONLY)

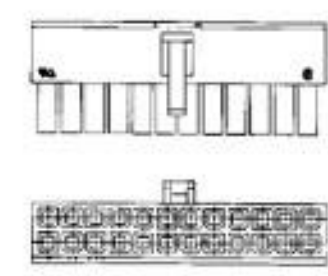


TE Part # 2238023-1
VAL-U-LOK SKT BR SN 26-22 LP

Customers Also Bought



TE Part #796634-7
7 POS 5.08MM R/A PLUG,TRM BLK



TE Part #794954-6
6P RCPT VAL-U-LOK V2



TE Part #794607-1
MICRO MNL RPT CNT STRIP 26-30



TE Part #131644-1
TERM, PIDG, 20 AWG, IR, #4 STUD



TE Part #5227161-2
RTANG JK W/MTG PINS, BNC PCB



TE Part #1969591-4
HSG,REC,PANEL MOUNT,GWT, SINGLE ROW,EP2.5



TE Part #1338689-2
ANVIL, COMBINATION .042



TE Part #BKA894M0985156A000
917 EXTENSION, SPEEDTEC-READY

TE Part #04ZZXLF015
/HYB/2x22+/SH/PVC/UL2549/GY/-/

Documents



Product Drawings

VAL-U-LOK SKT BR SN 22-26AWG

English

CAD Files

Customer View Model

[ENG_CVM_CVM_794958-1_F.2d_dxf.zip](#)

English

3D PDF

3D

Customer View Model

[ENG_CVM_CVM_794958-1_F.3d_igs.zip](#)

English

Customer View Model

[ENG_CVM_CVM_794958-1_F.3d_stp.zip](#)

English

By downloading the CAD file I accept and agree to the [Terms and Conditions](#) of use.

Datasheets & Catalog Pages

SOFT_SHELL_PIN_AND_SOCKET_CONNECTORS_CATALOG

English

Product Specifications

Application Specification

English

Product Environmental Compliance

Product Compliance Document

English

Product Compliance Document

English

Agency Approvals

VDE Certificate

English