



Connectors > Power Connectors > Rectangular Power > Rectangular Power Connectors



Rectangular Power Connector Type: **Housing**

Connector & Housing Type: **Plug**

Connector System: **Wire-to-Wire**

Number of Positions: **2**

Centerline (Pitch): **4.14 mm [.162 in]**

## Features

### Product Type Features

|                                   |              |
|-----------------------------------|--------------|
| Rectangular Power Connector Type  | Housing      |
| Connector & Housing Type          | Plug         |
| Connector System                  | Wire-to-Wire |
| Sealable                          | Yes          |
| Connector & Contact Terminates To | Wire & Cable |

### Configuration Features

|                     |   |
|---------------------|---|
| Number of Positions | 2 |
| Number of Rows      | 1 |

### Electrical Characteristics

|                   |         |
|-------------------|---------|
| Operating Voltage | 600 VDC |
|-------------------|---------|

### Contact Features

|                                  |         |
|----------------------------------|---------|
| Multiple Contact Types           | Without |
| Contact Layout                   | Inline  |
| Contact Retention Within Housing | Without |



|              |        |
|--------------|--------|
| Contact Type | Socket |
|--------------|--------|

### Termination Features

|                                    |       |
|------------------------------------|-------|
| Termination Method to Wire & Cable | Crimp |
|------------------------------------|-------|

### Mechanical Attachment

|                     |         |
|---------------------|---------|
| Panel Mount Feature | Without |
|---------------------|---------|

|                         |                            |
|-------------------------|----------------------------|
| Connector Mounting Type | Cable Mount (Free-Hanging) |
|-------------------------|----------------------------|

### Housing Features

|                    |                   |
|--------------------|-------------------|
| Centerline (Pitch) | 4.14 mm [.162 in] |
|--------------------|-------------------|

|               |         |
|---------------|---------|
| Housing Color | Natural |
|---------------|---------|

|                  |      |
|------------------|------|
| Housing Material | PA 6 |
|------------------|------|

### Dimensions

|                  |          |
|------------------|----------|
| Connector Height | 15.22 mm |
|------------------|----------|

|               |         |
|---------------|---------|
| Product Width | 8.13 mm |
|---------------|---------|

|                |          |
|----------------|----------|
| Product Length | 24.97 mm |
|----------------|----------|

### Usage Conditions

|                             |                            |
|-----------------------------|----------------------------|
| Operating Temperature Range | -40 – 90 °C [-40 – 194 °F] |
|-----------------------------|----------------------------|

### Operation/Application

|                     |                |
|---------------------|----------------|
| Circuit Application | Power & Signal |
|---------------------|----------------|

### Industry Standards

|                        |          |
|------------------------|----------|
| UL Flammability Rating | UL 94V-2 |
|------------------------|----------|

|                  |                           |
|------------------|---------------------------|
| Glow Wire Rating | GWT 750°C (Without Flame) |
|------------------|---------------------------|

### Packaging Features

|                    |   |
|--------------------|---|
| Packaging Quantity | 1 |
|--------------------|---|

|                  |         |
|------------------|---------|
| Packaging Method | Package |
|------------------|---------|

### Product Compliance

[For compliance documentation, visit the product page on TE.com>](#)

|                              |           |
|------------------------------|-----------|
| EU RoHS Directive 2011/65/EU | Compliant |
|------------------------------|-----------|

|                             |           |
|-----------------------------|-----------|
| EU ELV Directive 2000/53/EC | Compliant |
|-----------------------------|-----------|

|   |   |
|---|---|
| China RoHS 2 Directive MIIT Order No 32, 2016 | No Restricted Materials Above Threshold |
|---|---|

|  |  |
|--|--|
| EU REACH Regulation (EC) No. 1907/2006 | Current ECHA Candidate List: JUNE 2023 (235) |
|--|--|



Candidate List Declared Against: JUNE 2023 (235)

Does not contain REACH SVHC

Halogen Content

Not Low Halogen - contains Br or Cl > 900 ppm.

Solder Process Capability

Not reviewed for solder process capability

Product Compliance Disclaimer

This information is provided based on reasonable inquiry of our suppliers and represents our current actual knowledge based on the information they provided. This information is subject to change. The part numbers that TE has identified as EU RoHS compliant have a maximum concentration of 0.1% by weight in homogenous materials for lead, hexavalent chromium, mercury, PBB, PBDE, DBP, BBP, DEHP, DIBP, and 0.01% for cadmium, or qualify for an exemption to these limits as defined in the Annexes of Directive 2011/65/EU (RoHS2). Finished electrical and electronic equipment products will be CE marked as required by Directive 2011/65/EU. Components may not be CE marked. Additionally, the part numbers that TE has identified as EU ELV compliant have a maximum concentration of 0.1% by weight in homogenous materials for lead, hexavalent chromium, and mercury, and 0.01% for cadmium, or qualify for an exemption to these limits as defined in the Annexes of Directive 2000/53/EC (ELV). Regarding the REACH Regulation, the information TE provides on SVHC in articles for this part number is based on the latest European Chemicals Agency (ECHA) 'Guidance on requirements for substances in articles' posted at this URL: <https://echa.europa.eu/guidance-documents/guidance-on-reach>

## Compatible Parts



TE Part # 1-770966-0  
02P MINI UMNL R/A HDR ASSY SN



TE Part # 1-770872-0  
02P MINI UMNL HDR ASSY SN



TE Part # 794772-2  
02P MINI UMNL SEAL, DIE CUT



TE Part # 770901-1  
MINI UMNL PIN 26-22 AWG SN



TE Part # 770902-1  
MINI UMNL SOCK 26-22 AWG SN



TE Part # 794831-1  
MINI UMNL SKT SN 22-18 AWG



TE Part # 794440-1  
MINI UMNL PIN SN 22-18 AWG



TE Part # 1586359-2  
02P MINIUMNL GANG WIRE SEAL DR



TE Part # 1586537-1  
MINI UMNL PIN SN 16 AWG



TE Part # 1586538-1  
MINI UMNL SKT SN 16 AWG



TE Part # 794896-3  
2 CIR MINI UMNL RND WIRE HOLES

## Also in the Series | Mini-Universal MATE-N-LOK



Connector Contacts(8)



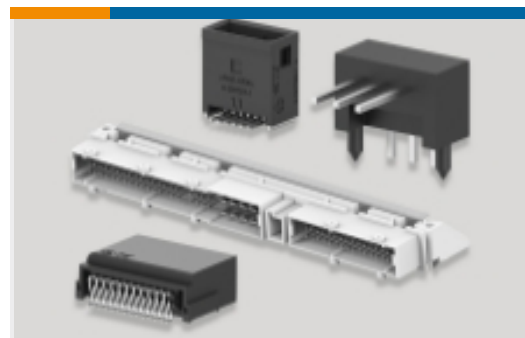
Connector Seals & Cavity Plugs(17)



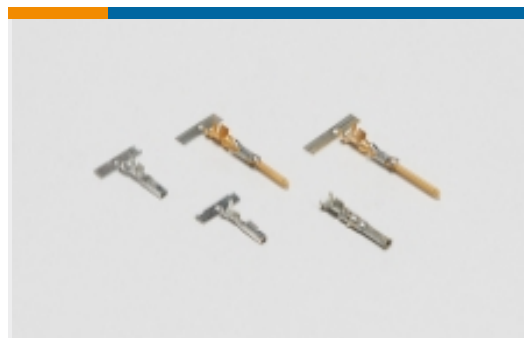
Connector Strain Relief(4)



Insertion & Extraction Tools(1)



PCB Headers & Receptacles(1)



Power Contacts(84)



Rectangular Connector Keying Plugs(2)



Rectangular Connector Locking(2)



Rectangular Power Connectors(244)

## Customers Also Bought



TE Part #1586359-4  
04P MINIUMNL GANG WIRE SEAL DR



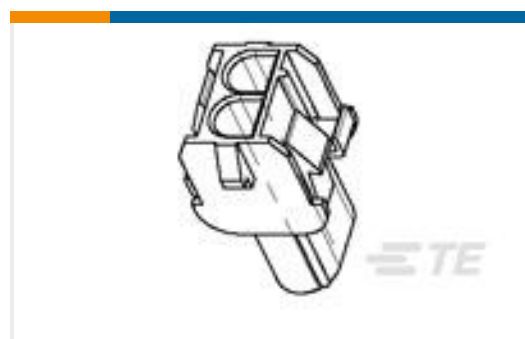
TE Part #1-770874-0  
04P MINI UMNL HDR ASSY SN LF



TE Part #1-770875-0  
06P MINI UMNL HDR ASSY SN



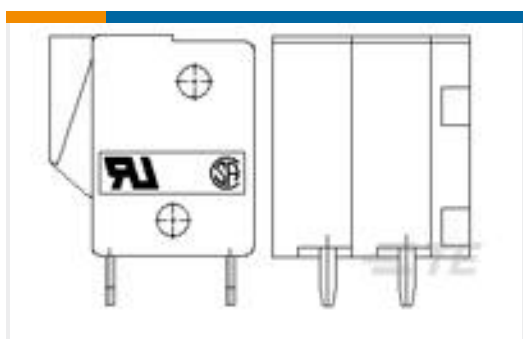
TE Part #1-480699-2  
02P UMNL CAP HSG RED



TE Part #1703062-1  
CAP, 2 CIRCUIT , UNIVERSAL MATE-N-LOK



TE Part #1586359-2  
02P MINIUMNL GANG WIRE SEAL DR



TE Part #1776260-3  
Bd Mt Screwless, 5.08mm Top Wi



TE Part #1586359-6  
06P MINIUMNL GANG WIRE SEAL DR



## Documents

### Product Drawings

#### 02P MINI UMNL PLUGS WIRE HOLES

English

### CAD Files

#### 3D PDF

3D

#### Customer View Model

[ENG\\_CVM\\_CVM\\_794894-3\\_D.2d\\_dxf.zip](#)

English

#### Customer View Model

[ENG\\_CVM\\_CVM\\_794894-3\\_D.3d\\_igs.zip](#)

English

#### Customer View Model

[ENG\\_CVM\\_CVM\\_794894-3\\_D.3d\\_stp.zip](#)

English

By downloading the CAD file I accept and agree to the [Terms and Conditions](#) of use.

### Product Specifications

#### Application Specification

English

### Product Environmental Compliance

#### Product Compliance

English