

794440-1 ✓ ACTIVE

MATE-N-LOK | Mini-Universal MATE-N-LOK

TE Internal #: 794440-1

Power Contacts, Contact, 600 VAC, 600 VDC, Tin, 22 – 18 AWG

Wire Size, .33 – .82 mm² Wire Size, Wire & Cable, Crimp, Power,

Mini-Universal MATE-N-LOK

[View on TE.com >](#)



Connectors > Power Connectors > Power Contacts



Power Contact Type: **Contact**

Operating Voltage: **600 VDC**

Contact Mating Area Plating Material: **Tin**

Wire Size: **22 – 18 AWG**

Features

Product Type Features

Compatible With Discrete Wire Type	Stranded
Power Contact Type	Contact
Connector & Contact Terminates To	Wire & Cable

Electrical Characteristics

Operating Voltage	600 VDC
-------------------	---------

Contact Features

Contact Mating Area Plating Material	Tin
Contact Current Rating (Max)	11.2 A
Contact Type	Pin
Contact Retention Within Housing	With
Mating Pin Diameter	1 mm [.039 in]
Contact Base Material	Brass
Wire Contact Termination Area Plating Thickness	2.54 μm [100 μin]
Wire Contact Termination Area Plating Material	Pre-Tin
Wire Contact Termination Area Plating Material Finish	Bright



Contact Orientation	Straight
---------------------	----------

Termination Features

Termination Method to Wire & Cable	Crimp
------------------------------------	-------

Mechanical Attachment

Wire Insulation Support	Without
-------------------------	---------

Dimensions

Wire Size	.33 – .82 mm ²
-----------	---------------------------

Compatible Insulation Diameter Range	1.5 – 2.39 mm [.059 – .094 in]
--------------------------------------	--------------------------------

Usage Conditions

Operating Temperature Range	-55 – 105 °C [-67 – 221 °F]
-----------------------------	-----------------------------

Operation/Application

Circuit Application	Power
---------------------	-------

Industry Standards

CSA Rating	Certified, LR 7189
------------	--------------------

UL Rating	Recognized
-----------	------------

Agency/Standard	CSA, UL
-----------------	---------

Packaging Features

Packaging Quantity	7000
--------------------	------

Packaging Method	Reel
------------------	------

Other

Power Connectors Comment	With locking lance.
--------------------------	---------------------

Product Compliance

[For compliance documentation, visit the product page on TE.com>](#)

EU RoHS Directive 2011/65/EU	Compliant
------------------------------	-----------

EU ELV Directive 2000/53/EC	Compliant
-----------------------------	-----------

China RoHS 2 Directive MIIT Order No 32, 2016	No Restricted Materials Above Threshold
---	---

EU REACH Regulation (EC) No. 1907/2006	Current ECHA Candidate List: JAN 2023 (233) Candidate List Declared Against: JAN 2023 (233) Does not contain REACH SVHC
--	---

Halogen Content	Low Halogen - Br, Cl, F, I < 900 ppm per
-----------------	--



homogenous material. Also BFR/CFR/PVC Free

Solder Process Capability

Not applicable for solder process capability

Product Compliance Disclaimer

This information is provided based on reasonable inquiry of our suppliers and represents our current actual knowledge based on the information they provided. This information is subject to change. The part numbers that TE has identified as EU RoHS compliant have a maximum concentration of 0.1% by weight in homogenous materials for lead, hexavalent chromium, mercury, PBB, PBDE, DBP, BBP, DEHP, DIBP, and 0.01% for cadmium, or qualify for an exemption to these limits as defined in the Annexes of Directive 2011/65/EU (RoHS2). Finished electrical and electronic equipment products will be CE marked as required by Directive 2011/65/EU. Components may not be CE marked. Additionally, the part numbers that TE has identified as EU ELV compliant have a maximum concentration of 0.1% by weight in homogenous materials for lead, hexavalent chromium, and mercury, and 0.01% for cadmium, or qualify for an exemption to these limits as defined in the Annexes of Directive 2000/53/EC (ELV). Regarding the REACH Regulation, the information TE provides on SVHC in articles for this part number is based on the latest European Chemicals Agency (ECHA) 'Guidance on requirements for substances in articles' posted at this URL: <https://echa.europa.eu/guidance-documents/guidance-on-reach>

Compatible Parts



TE Part # 1804250-2
SDE PRO-CRIMPER DIE ASSEMBLY



TE Part # 2-2266574-1
OCEAN_2.0_Applicator-S-062F



TE Part # 2-2266574-2
OCEAN_2.0_Applicator-S-062F



TE Part # 2266574-1
OCEAN_2.0_Applicator-S-062F



TE Part # 2266574-2
OCEAN_2.0_Applicator-S-062F



TE Part # 2305570-1
Strip Terminal Cutter-Side Feed-No Crimp



TE Part # 7-2266574-1
OCEAN_2.0_Applicator-S-062F



TE Part # 7-2266574-2
OCEAN_2.0_Applicator-S-062F



KIT
TE Part # 7-2266574-7
OCEAN_2.0_SPARE_PART_KIT-062F



TE Part # 794894-3
02P MINI UMNL PLUGS WIRE HOLES



TE Part # 794896-3
2 CIR MINI UMNL RND WIRE HOLES



TE Part # 1804250-1
SDE PRO-CRIMPER TOOL & DIE

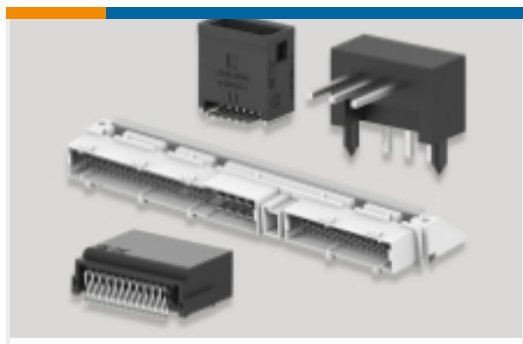
Also in the Series | **Mini-Universal MATE-N-LOK**



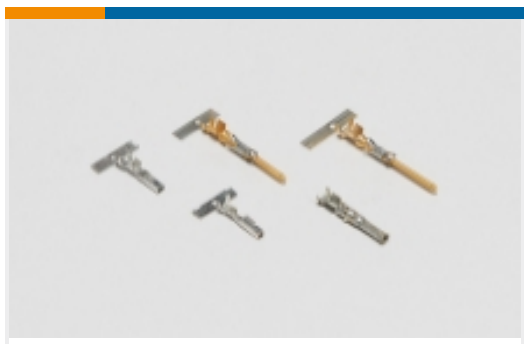
Connector Contacts(9)



Insertion & Extraction Tools(1)



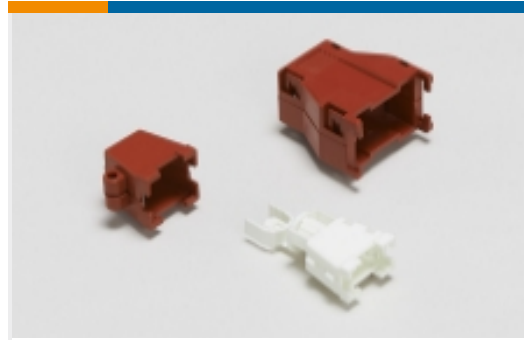
PCB Headers & Receptacles(1)



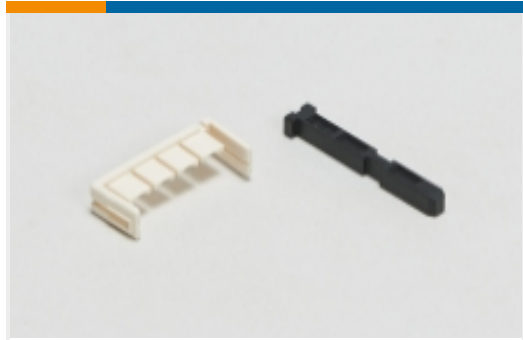
Power Contacts(84)



Rectangular Backshells & Clamps(2)



Rectangular Boots & Strain Relief(2)



Rectangular Connector Keying Plugs(2)



Rectangular Connector Locking(2)



Rectangular Connector Seals(17)



Rectangular Power Connectors(243)

Customers Also Bought



TE Part #1-480438-0
16P CMNL PLUG HSG M/M NATL



TE Part #1-794772-0
10P MINI UMNL SEAL,DIE CUT



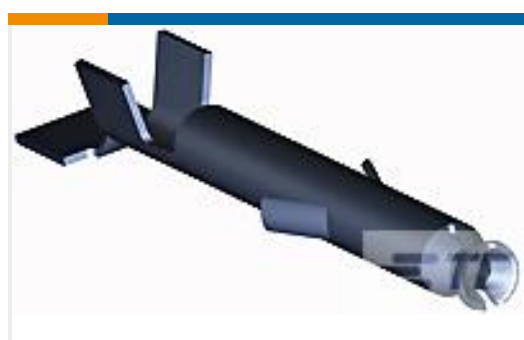
TE Part #1586359-4
04P MINIMUMNL GANG WIRE SEAL DR



TE Part #794772-2
02P MINI UMNL SEAL,DIE CUT



TE Part #1586359-8
08P MINIMUMNL GANG WIRE SEAL DR



TE Part #794831-1
MINI UMNL SKT SN 22-18 AWG



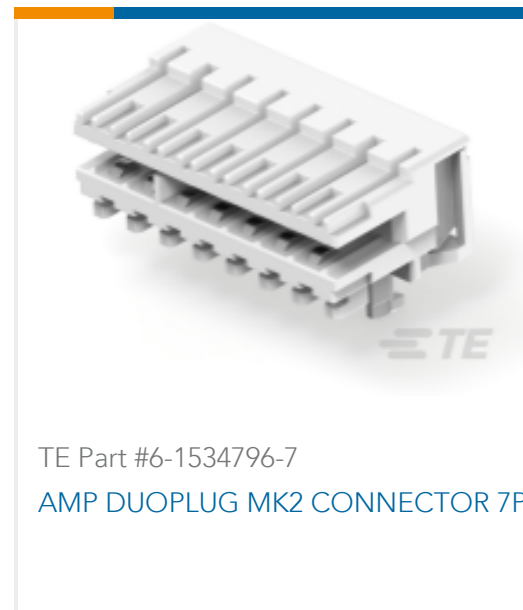
TE Part #1586359-2
02P MINIMUMNL GANG WIRE SEAL DR



TE Part #1-1586359-0
10P MINIMUMNL GANG WIRE SEAL DR



TE Part #1534415-6
DUOPL POW FEM CON6P



TE Part #6-1534796-7
AMP DUOPLUG MK2 CONNECTOR 7P

Documents

Product Drawings

MINI UMNL PIN SN 22-18 AWG

English

CAD Files

3D PDF

3D

Customer View Model

[ENG_CVM_CVM_794440-1_H.2d_dxf.zip](#)

English

Customer View Model

[ENG_CVM_CVM_794440-1_H.3d_igs.zip](#)

English

Customer View Model

[ENG_CVM_CVM_794440-1_H.3d_stp.zip](#)

English

By downloading the CAD file I accept and agree to the [Terms and Conditions](#) of use.

Datasheets & Catalog Pages

SOFT_SHELL_PIN_AND_SOCKET_CONNECTORS_CATALOG

English

Product Specifications

Application Specification - Mini-Universal MATE-N-LOK Connectors

English

Product Environmental Compliance

[MD_794440-1_03062018348_dmtec](#)

English

[MD_794440-1_03062018348_dmtec](#)

English

Instruction Sheets

Instruction Sheet (U.S.)

English

Agency Approvals



Agency Approval Document

English