

794202-1 ✓ ACTIVE

MATE-N-LOK | Mini-Universal MATE-N-LOK 2

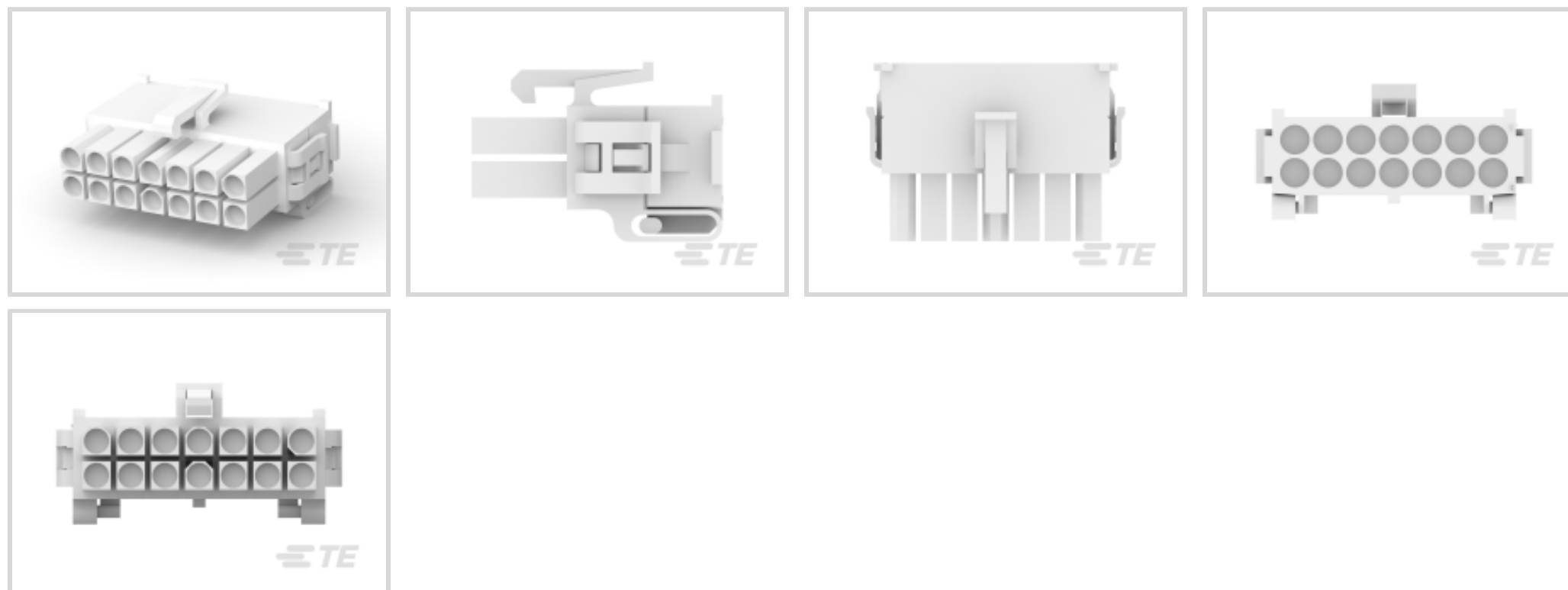
TE Internal #: 794202-1

Rectangular Power Connectors, Housing, Plug, Wire-to-Wire / Wire-to-Board, 14 Position, 4.14 mm [.162 in] Centerline, Mini-Universal MATE-N-LOK 2

[View on TE.com >](#)



Connectors > Power Connectors > Rectangular Power > Rectangular Power Connectors



Rectangular Power Connector Type: **Housing**

Connector & Housing Type: **Plug**

Connector System: **Wire-to-Board, Wire-to-Wire**

Number of Positions: **14**

Centerline (Pitch): **4.14 mm [.162 in]**

Features

Product Type Features

Rectangular Power Connector Type	Housing
Connector & Housing Type	Plug
Connector System	Wire-to-Board, Wire-to-Wire
Sealable	No
Connector & Contact Terminates To	Wire & Cable

Configuration Features

Number of Positions	14
Number of Rows	2

Electrical Characteristics

Operating Voltage	600 VDC
-------------------	---------

Contact Features

Multiple Contact Types	Without
Contact Retention Within Housing	Without
Contact Type	Socket



Termination Features

Termination Method to Wire & Cable	Crimp
------------------------------------	-------

Mechanical Attachment

Panel Mount Feature	Without
Connector Mounting Type	Cable Mount (Free-Hanging)

Housing Features

Centerline (Pitch)	4.14 mm [.162 in]
Housing Color	Natural
Housing Material	Nylon

Dimensions

Row-to-Row Spacing	4.14 mm [.162 in]
--------------------	-------------------

Usage Conditions

Operating Temperature Range	-55 – 105 °C [-67 – 221 °F]
-----------------------------	-----------------------------

Operation/Application

Circuit Application	Power & Signal
---------------------	----------------

Industry Standards

UL Rating	Recognized
Agency/Standard	UL
Approved Standards	UL E28476
UL Flammability Rating	UL 94V-0
Glow Wire Rating	Standard Part - Not Glow Wire

Packaging Features

Packaging Quantity	300
Packaging Method	Bag

Product Compliance

[For compliance documentation, visit the product page on TE.com>](#)

EU RoHS Directive 2011/65/EU	Compliant
EU ELV Directive 2000/53/EC	Compliant
China RoHS 2 Directive MIIT Order No 32, 2016	No Restricted Materials Above Threshold
EU REACH Regulation (EC) No. 1907/2006	Current ECHA Candidate List: JUNE 2023 (235)

Candidate List Declared Against: JUNE 2023 (235)

Does not contain REACH SVHC

Halogen Content

Low Halogen - Br, Cl, F, I < 900 ppm per homogenous material. Also BFR/CFR/PVC Free

Solder Process Capability

Not applicable for solder process capability

Product Compliance Disclaimer

This information is provided based on reasonable inquiry of our suppliers and represents our current actual knowledge based on the information they provided. This information is subject to change. The part numbers that TE has identified as EU RoHS compliant have a maximum concentration of 0.1% by weight in homogenous materials for lead, hexavalent chromium, mercury, PBB, PBDE, DBP, BBP, DEHP, DIBP, and 0.01% for cadmium, or qualify for an exemption to these limits as defined in the Annexes of Directive 2011/65/EU (RoHS2). Finished electrical and electronic equipment products will be CE marked as required by Directive 2011/65/EU. Components may not be CE marked. Additionally, the part numbers that TE has identified as EU ELV compliant have a maximum concentration of 0.1% by weight in homogenous materials for lead, hexavalent chromium, and mercury, and 0.01% for cadmium, or qualify for an exemption to these limits as defined in the Annexes of Directive 2000/53/EC (ELV). Regarding the REACH Regulation, the information TE provides on SVHC in articles for this part number is based on the latest European Chemicals Agency (ECHA) 'Guidance on requirements for substances in articles' posted at this URL: <https://echa.europa.eu/guidance-documents/guidance-on-reach>

Compatible Parts



TE Part # 1-770973-0
14P MINI UMNL R/A HDR ASSY SN



TE Part # 1-794067-1
14P MINI UMNL HDR W/DH AU



TE Part # 1-794074-0
14P MINI UMNL HDR W/O DH SN LF



TE Part # 1-794228-0
MINI UMNL2 PIN 22-18 AWG AU LP



TE Part # 1-794067-0
14P MINI UMNL HDR W/DH SN



TE Part # 794224-1
MINI UMNL2 PIN 30-26 AWG SN LP



TE Part # 794229-3
MINI UMNL2 SOK 22-18 AWG AU LP



TE Part # 1-794222-0
MINI UMNL2 PIN 20-16AWG AU LF




TE Part # 1-794218-0
MINI UMNL2 PIN 26-22AWG AU LF



TE Part # 1-794219-0
MINI UNML2 SOK 26-22 AWG AU LF



TE Part # 1-794223-0
MINI UMNL2 SCKT 20-16AWG 30AU



TE Part # 794222-1
MINI UMNL2 PIN 20-16AWG SN



TE Part # 1-794221-0
MINI UMNL2 SOK 22-18AWG AU LF



TE Part # 794218-1
MINI UMNL2 PIN 26-22 AWG SN



TE Part # 794220-1
MINI UMNL2 PIN 22-18 AWG SN



TE Part # 794223-1
MINI UMNL2 SCKT 20-16AWG SN



TE Part # 794221-1
MINI UMNL2 SOK 22-18 AWG SN



TE Part # 794219-1
MINI UMNL2 SOK 26-22 AWG SN




TE Part # 1-770973-1
14P MINI UMNL R/A HDR ASSY LF




TE Part # 1-794074-1
14P MINI UMNL HDR W/O DH AU LF


Also in the Series | Mini-Universal MATE-N-LOK 2




Connector Contacts(8)



Insertion & Extraction Tools(1)

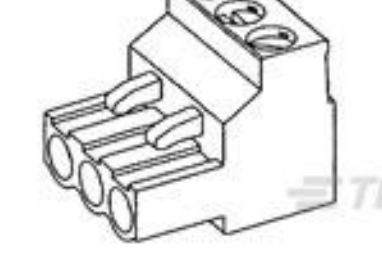


Power Contacts(33)



Rectangular Power Connectors(45)

Customers Also Bought



TE Part #796640-4
4 POS 5.0 MM R/A PLUG,TRM BLK



TE Part #1586105-3
3P RCPT VAL-U-LOK SR V2



TE Part #61944-1
250 FASTON REC 18-14 AWG BR



TE Part #42742-1
250 FASTON FLAG REC 18-12 AWG BR



Documents

Product Drawings

[14P MINI UMNL2 PLUG HSG UL94V0](#)

English

CAD Files

Customer View Model

[ENG_CVM_CVM_794202-1_G.2d_dxf.zip](#)

English

[3D PDF](#)

3D

Customer View Model

[ENG_CVM_CVM_794202-1_G.3d_igs.zip](#)

English

Customer View Model

[ENG_CVM_CVM_794202-1_G.3d_stp.zip](#)

English

By downloading the CAD file I accept and agree to the [Terms and Conditions](#) of use.

Datasheets & Catalog Pages

[SOFT_SHELL_PIN_AND_SOCKET_CONNECTORS_CATALOG](#)

English

Product Specifications

[Application Specification](#)

English

Product Environmental Compliance

[TE Material Declaration](#)



English

Instruction Sheets

Instruction Sheet (U.S.)

English