

AMP

TE Internal #: 794000-1

Power Contacts, Contact, 250 VAC, 250 VDC, Tin, 26 – 24 AWG

Wire Size, .12 – .2 mm² Wire Size, 236.823 – 394.705 CMA Wire Size,

Wire & Cable, Crimp

[View on TE.com >](#)

Connectors > Power Connectors > Power Contacts

Power Contact Type: **Contact**Operating Voltage: **250 VDC**Contact Mating Area Plating Material: **Tin**Wire Size: **26 – 24 AWG****Features****Product Type Features**

Power Contact Type	Contact
Sealable	No
Connector & Contact Terminates To	Wire & Cable

Electrical Characteristics

Operating Voltage	250 VDC
-------------------	---------

Contact Features

Contact Fabrication	Stamped & Formed
Contact Mating Area Plating Material	Tin
Contact Current Rating (Max)	9 A
Contact Type	Receptacle
Contact Retention Within Housing	With
Mating Pin Diameter	1.96 mm[.077 in]
Contact Base Material	Phosphor Bronze
Contact Mating Area Plating Material Thickness	.4 μm[15.75 μin]
Wire Contact Termination Area Plating Thickness	3.3 μm[130 μin]



Wire Contact Termination Area Plating Material	Pre-Tin
--	---------

Wire Contact Termination Area Plating Material Finish	Matte
---	-------

Contact Orientation	Straight
---------------------	----------

Termination Features

Termination Method to Wire & Cable	Crimp
------------------------------------	-------

Mechanical Attachment

Wire Insulation Support	With
-------------------------	------

Dimensions

Wire Size	236.823 – 394.705 CMA
-----------	-----------------------

Compatible Insulation Diameter Range	.64 – 1.27 mm [.025 – .05 in]
--------------------------------------	-------------------------------

Usage Conditions

Operating Temperature Range	-55 – 85 °C [-67 – 185 °F]
-----------------------------	----------------------------

Operation/Application

Circuit Application	Power & Signal
---------------------	----------------

Packaging Features

Packaging Method	Reel
------------------	------

Product Compliance

[For compliance documentation, visit the product page on TE.com>](#)

EU RoHS Directive 2011/65/EU	Compliant
------------------------------	-----------

EU ELV Directive 2000/53/EC	Compliant
-----------------------------	-----------

China RoHS 2 Directive MIIT Order No 32, 2016	No Restricted Materials Above Threshold
---	---

EU REACH Regulation (EC) No. 1907/2006	Current ECHA Candidate List: JUNE 2023 (235) Candidate List Declared Against: JUNE 2023 (235) Does not contain REACH SVHC
--	---

Halogen Content	Low Halogen - Br, Cl, F, I < 900 ppm per homogenous material. Also BFR/CFR/PVC Free
-----------------	---

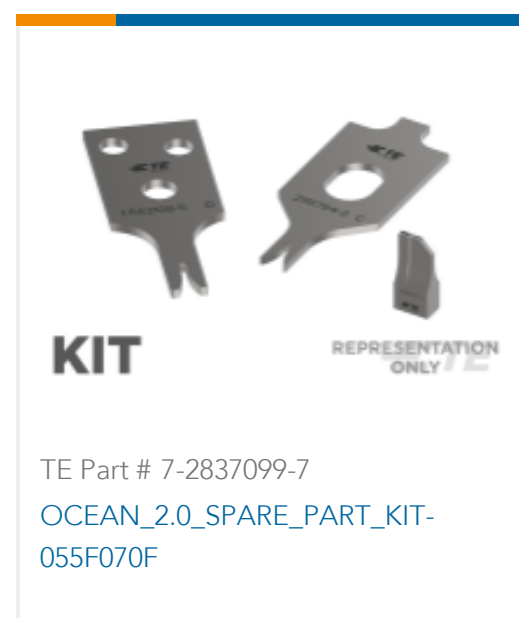
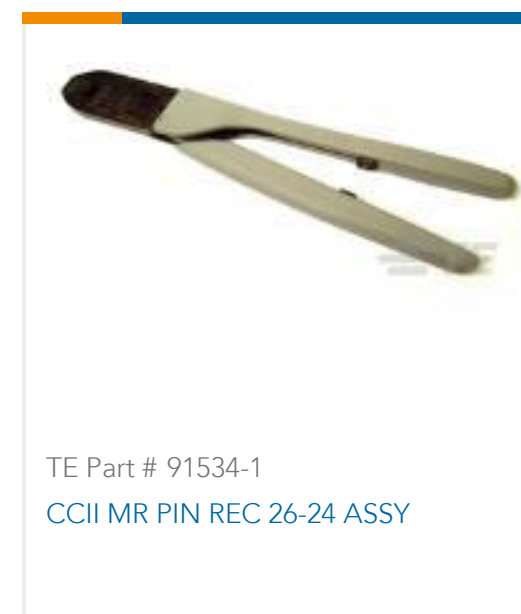
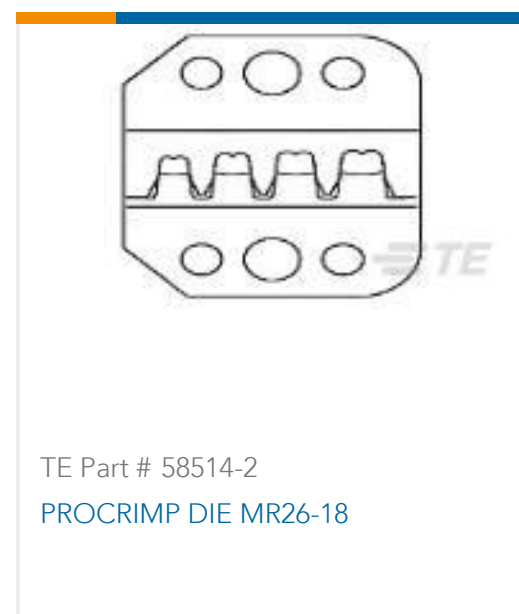
Solder Process Capability	Not applicable for solder process capability
---------------------------	--

Product Compliance Disclaimer

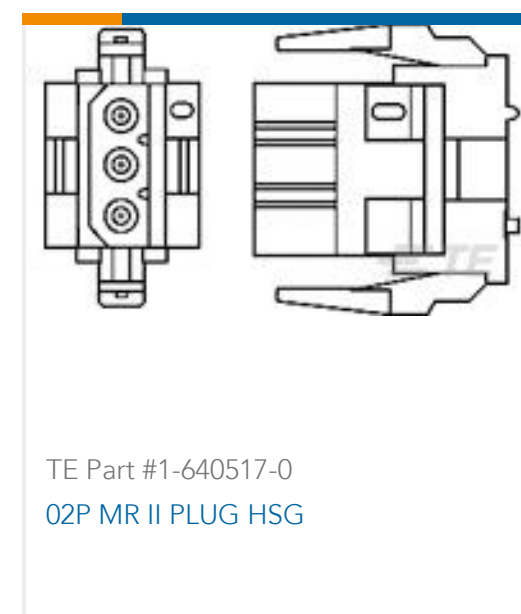
This information is provided based on reasonable inquiry of our suppliers and represents our current actual knowledge based on the information they provided. This information is subject to change. The part numbers that TE has identified as

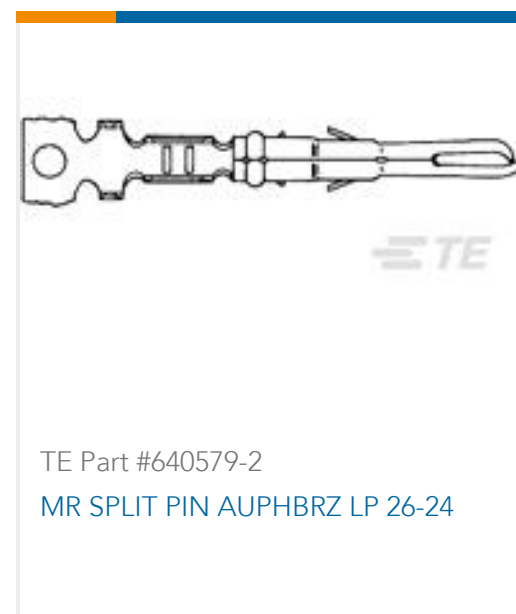
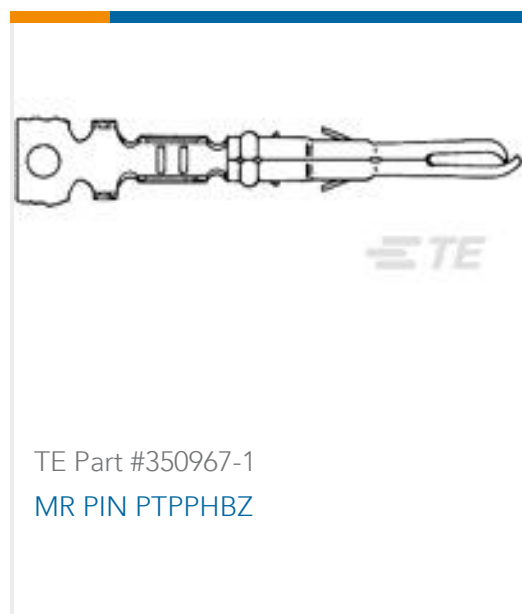
EU RoHS compliant have a maximum concentration of 0.1% by weight in homogenous materials for lead, hexavalent chromium, mercury, PBB, PBDE, DBP, BBP, DEHP, DIBP, and 0.01% for cadmium, or qualify for an exemption to these limits as defined in the Annexes of Directive 2011/65/EU (RoHS2). Finished electrical and electronic equipment products will be CE marked as required by Directive 2011/65/EU. Components may not be CE marked. Additionally, the part numbers that TE has identified as EU ELV compliant have a maximum concentration of 0.1% by weight in homogenous materials for lead, hexavalent chromium, and mercury, and 0.01% for cadmium, or qualify for an exemption to these limits as defined in the Annexes of Directive 2000/53/EC (ELV). Regarding the REACH Regulation, the information TE provides on SVHC in articles for this part number is based on the latest European Chemicals Agency (ECHA) 'Guidance on requirements for substances in articles' posted at this URL: <https://echa.europa.eu/guidance-documents/guidance-on-reach>

Compatible Parts



Customers Also Bought





Documents

Product Drawings

MR RECEPTACLE PTPPHBZ

English

CAD Files

3D PDF

English

Customer View Model

[ENG_CVM_794000-1_O.3d_igs.zip](#)

English

Customer View Model

[ENG_CVM_794000-1_O.3d_stp.zip](#)

English

Customer View Model

[ENG_CVM_794000-1_O.2d_dxf.zip](#)

English

3D PDF

3D

Customer View Model

[ENG_CVM_CVM_794000-1_E.2d_dxf.zip](#)

English

Customer View Model

[ENG_CVM_CVM_794000-1_E.3d_igs.zip](#)

English

Customer View Model

[ENG_CVM_CVM_794000-1_E.3d_stp.zip](#)

English

By downloading the CAD file I accept and agree to the [Terms and Conditions](#) of use.

Datasheets & Catalog Pages

SOFT_SHELL_PIN_AND_SOCKET_CONNECTORS_CATALOG

English

Product Specifications

Application Specification

English



Product Environmental Compliance

MR RECEPTACLE PTPPHBZ

English

MR RECEPTACLE PTPPHBZ

English