



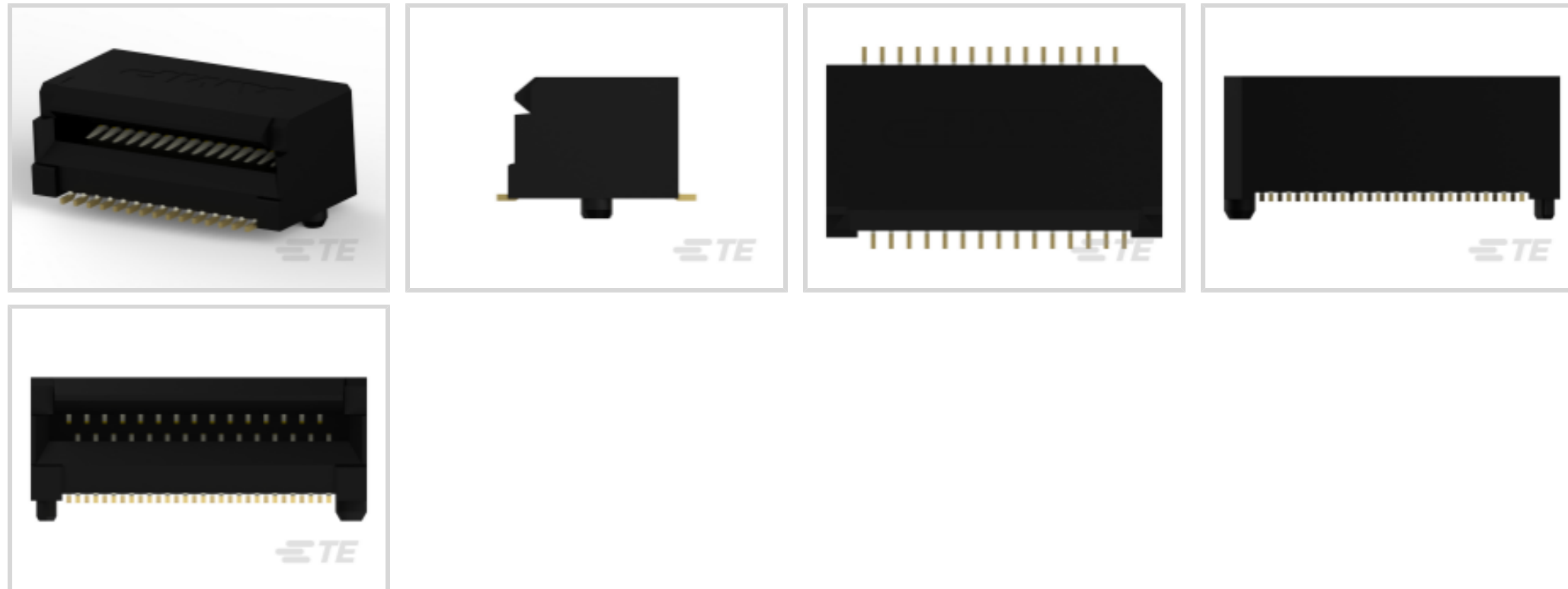
SFP28 | XFP

TE Internal #: 788862-2

XFP, Connector, Double-Sided (Belly-to-Belly) Mount, Data Rate (Max) 10 Gb/s, Cable-to-Board, Printed Circuit Board, Signal, Board Mount, XFP

[View on TE.com >](#)

Connectors > Pluggable IO Connectors & Cages > XFP > XFP Connectors



Pluggable I/O Product Type: **Connector**

PCB Mounting Style: **Double-Sided (Belly-to-Belly)**

Data Rate (Max): **10 Gb/s**

Connector System: **Cable-to-Board**

Number of Positions: **30**

[All XFP Connectors \(2\)](#)

## Features

### Product Type Features

Connector & Housing Type	Receptacle
Form Factor	XFP
Pluggable I/O Product Type	Connector
Connector System	Cable-to-Board
Connector & Contact Terminates To	Printed Circuit Board

### Configuration Features

Number of Positions	30
---------------------	----

### Electrical Characteristics

Data Rate (Max)	10 Gb/s
-----------------	---------

### Contact Features

Contact Mating Area Plating Material Thickness	.76 µm[29.92 µin]
Contact Mating Area Plating Material	Gold



Contact Base Material	Phosphor Bronze
-----------------------	-----------------

Contact Current Rating (Max)	.5 A
------------------------------	------

### Termination Features

Termination Method to Printed Circuit Board	Surface Mount
---------------------------------------------	---------------

### Mechanical Attachment

PCB Mounting Style	Double-Sided (Belly-to-Belly)
--------------------	-------------------------------

Connector Mounting Type	Board Mount
-------------------------	-------------

### Housing Features

Housing Material	LCP (Liquid Crystal Polymer)
------------------	------------------------------

Housing Color	Black
---------------	-------

Centerline (Pitch)	.03 mm[.8 in]
--------------------	---------------

### Usage Conditions

Operating Temperature Range	-55 – 85 °C[-67 – 185 °F]
-----------------------------	---------------------------

### Operation/Application

Circuit Application	Signal
---------------------	--------

### Industry Standards

UL Flammability Rating	UL 94V-0
------------------------	----------

### Packaging Features

Packaging Method	Tape
------------------	------

## Product Compliance

[For compliance documentation, visit the product page on TE.com>](#)

EU RoHS Directive 2011/65/EU	Compliant
------------------------------	-----------

EU ELV Directive 2000/53/EC	Compliant
-----------------------------	-----------

China RoHS 2 Directive MIIT Order No 32, 2016	No Restricted Materials Above Threshold
-----------------------------------------------	-----------------------------------------

EU REACH Regulation (EC) No. 1907/2006	Current ECHA Candidate List: JUNE 2023 (235) Candidate List Declared Against: JUNE 2023 (235) Does not contain REACH SVHC
----------------------------------------	---------------------------------------------------------------------------------------------------------------------------------

Halogen Content	Low Halogen - Br, Cl, F, I < 900 ppm per homogenous material. Also BFR/CFR/PVC Free
-----------------	-------------------------------------------------------------------------------------

Solder Process Capability	Reflow solder capable to 260°C
---------------------------	--------------------------------

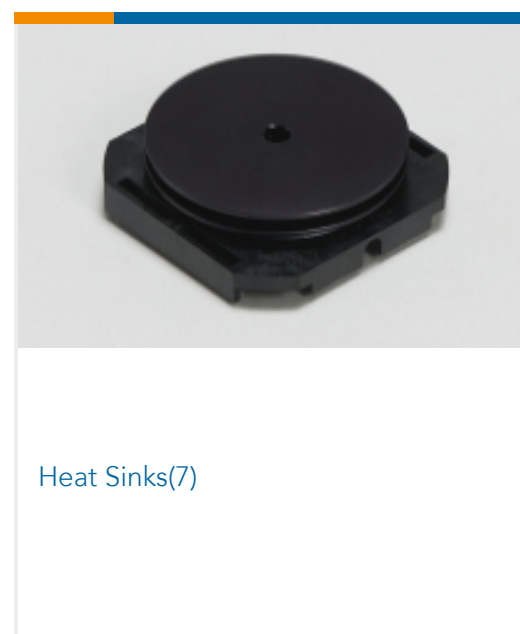
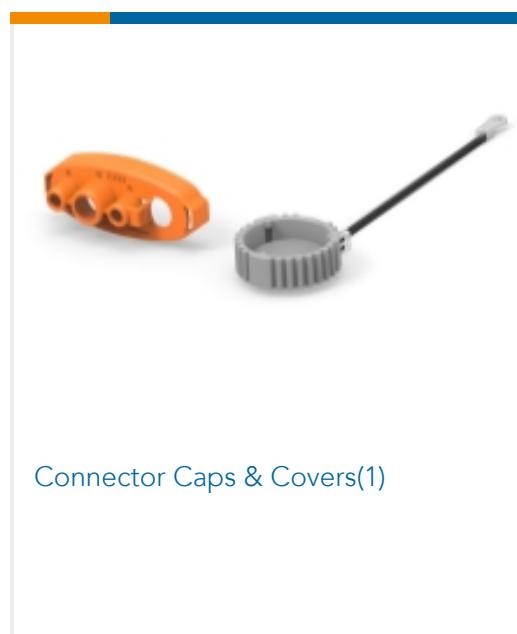
#### Product Compliance Disclaimer

This information is provided based on reasonable inquiry of our suppliers and represents our current actual knowledge based on the information they provided. This information is subject to change. The part numbers that TE has identified as EU RoHS compliant have a maximum concentration of 0.1% by weight in homogenous materials for lead, hexavalent chromium, mercury, PBB, PBDE, DBP, BBP, DEHP, DIBP, and 0.01% for cadmium, or qualify for an exemption to these limits as defined in the Annexes of Directive 2011/65/EU (RoHS2). Finished electrical and electronic equipment products will be CE marked as required by Directive 2011/65/EU. Components may not be CE marked. Additionally, the part numbers that TE has identified as EU ELV compliant have a maximum concentration of 0.1% by weight in homogenous materials for lead, hexavalent chromium, and mercury, and 0.01% for cadmium, or qualify for an exemption to these limits as defined in the Annexes of Directive 2000/53/EC (ELV). Regarding the REACH Regulation, the information TE provides on SVHC in articles for this part number is based on the latest European Chemicals Agency (ECHA) 'Guidance on requirements for substances in articles' posted at this URL: <https://echa.europa.eu/guidance-documents/guidance-on-reach>

## Compatible Parts



## Also in the Series | XFP



## Customers Also Bought

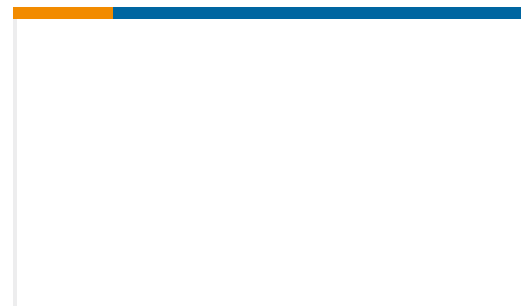




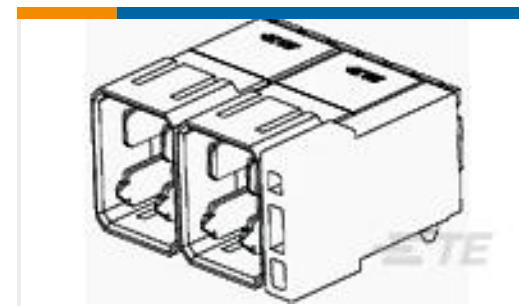
TE Part #2110819-1  
QSFP+ Enh EVERCLEAR PT Conn



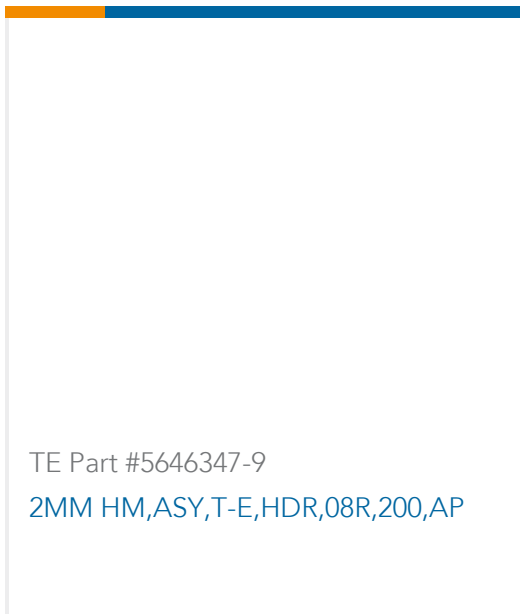
TE Part #4-2170808-7  
QSFP28, 1X2, CAGE ASSY, SPRING,  
HS, LP



TE Part #5338107-2  
Z-PACK SHLD.UPPER A



TE Part #2180851-2  
IMP,PWR,3PR,HDR,R-HLD,1X,797-2,N  
/A



TE Part #5646347-9  
2MM HM,ASY,T-E,HDR,08R,200,AP

## Documents

### Product Drawings

#### PT30 XFP CONNECTOR

English

### CAD Files

#### Customer View Model

[ENG\\_CVM\\_CVM\\_788862-2\\_E.2d\\_dxf.zip](#)

English

#### 3D PDF

3D

#### Customer View Model

[ENG\\_CVM\\_CVM\\_788862-2\\_E.3d\\_igs.zip](#)

English

#### Customer View Model

[ENG\\_CVM\\_CVM\\_788862-2\\_E.3d\\_stp.zip](#)

English

By downloading the CAD file I accept and agree to the [Terms and Conditions](#) of use.

### Datasheets & Catalog Pages

[1773408-1 Pluggable Input/Output Solutions catalog - XFP section](#)

English

### Product Specifications

#### Application Specification

English

#### Application Specification

English



### Product Environmental Compliance

[MD\\_788862-2\\_052120181214\\_dmtec](#)

English

[MD\\_788862-2\\_052120181214\\_dmtec](#)

English

---

### Instruction Sheets

[Instruction Sheet \(U.S.\)](#)

English

[Instruction Sheet \(U.S.\)](#)

English