

776297-1 ✓ ACTIVE

AMP | AMPSEAL 16

TE Internal #: 776297-1

Automotive Terminals, Socket, 18 – 14 AWG Wire Size, .8 – 2 mm²

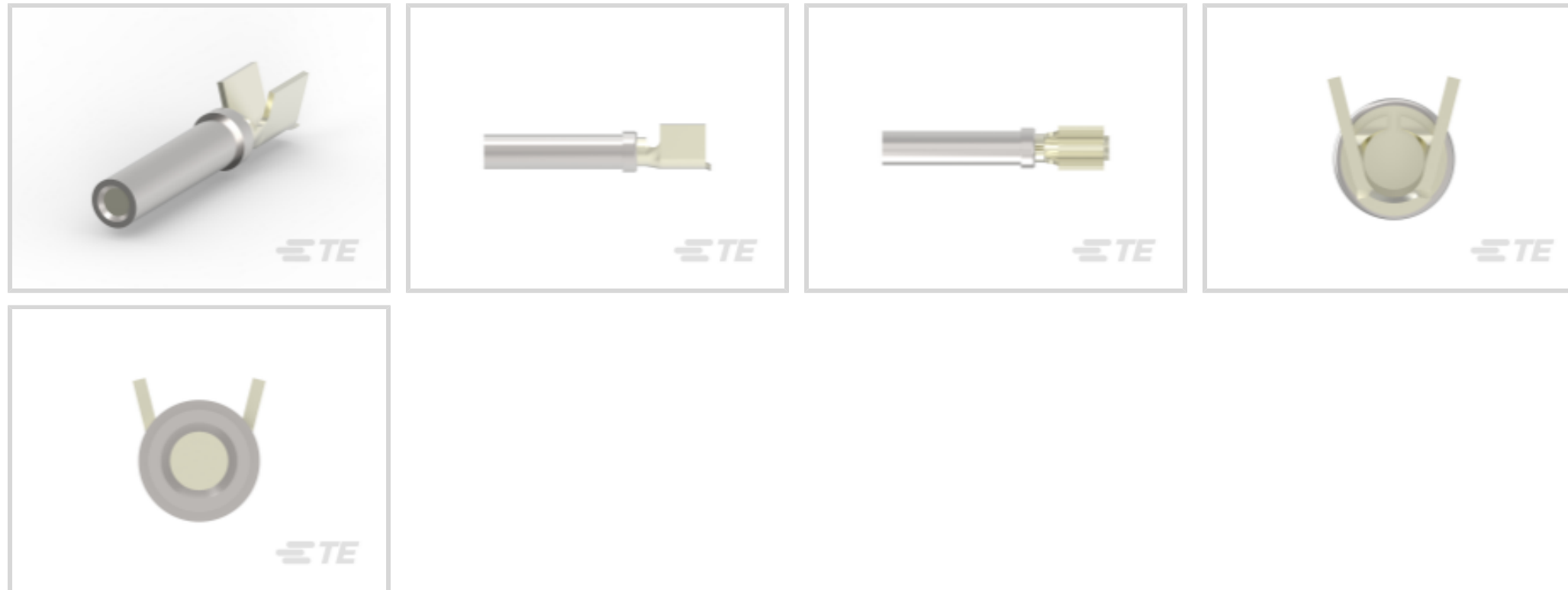
Wire Size, Gold (Au) Interface Plating, Terminates To Wire,

AMPSEAL 16

[View on TE.com >](#)



Terminals & Splices > Automotive Terminals > Contacts: Size 16, 13A



Terminal Type: **Socket**

Terminal Transmits: **0 – 24 A (Low Power)**

Wire Size: **.8 – 2 mm²**

Sealable: **No**

[All Contacts: Size 16, 13A \(33\)](#)

Features

Product Type Features

Sealable	No
----------	----

Contact Features

Contact Size	Size 16
Contact Fabrication	Stamped & Formed
Wire Contact Termination Area Plating Material	Gold
Crimp Type	F-Crimp
Terminal Type	Socket
Interface Plating	Gold (Au)

Termination Features

Termination Method to Wire & Cable	Crimp
Product Terminates To	Wire

Dimensions

Wire Size	.8 – 2 mm ²
-----------	------------------------



Wire Size Search	14 AWG, 15 AWG, 16 AWG, 17 AWG, 18 AWG
------------------	--

Usage Conditions

Insulation Option	Uninsulated
-------------------	-------------

Operation/Application

Compatible With Wire Base Material	Copper
------------------------------------	--------

Packaging Features

Packaging Quantity	1000
--------------------	------

Packaging Method	Bag
------------------	-----

Other

Customer Preferred Contact	No
----------------------------	----

Terminal Transmits	0 – 24 A (Low Power)
--------------------	----------------------

Product Compliance

[For compliance documentation, visit the product page on TE.com>](#)

EU RoHS Directive 2011/65/EU	Compliant
------------------------------	-----------

EU ELV Directive 2000/53/EC	Compliant
-----------------------------	-----------

China RoHS 2 Directive MIIT Order No 32, 2016	No Restricted Materials Above Threshold
---	---

EU REACH Regulation (EC) No. 1907/2006	Current ECHA Candidate List: JUNE 2023 (235) Candidate List Declared Against: JUNE 2023 (235) Does not contain REACH SVHC
--	---

Halogen Content	Low Halogen - Br, Cl, F, I < 900 ppm per homogenous material. Also BFR/CFR/PVC Free
-----------------	---

Solder Process Capability	Not applicable for solder process capability
---------------------------	--

Product Compliance Disclaimer

This information is provided based on reasonable inquiry of our suppliers and represents our current actual knowledge based on the information they provided. This information is subject to change. The part numbers that TE has identified as EU RoHS compliant have a maximum concentration of 0.1% by weight in homogenous materials for lead, hexavalent chromium, mercury, PBB, PBDE, DBP, BBP, DEHP, DIBP, and 0.01% for cadmium, or qualify for an exemption to these limits as defined in the Annexes of Directive 2011/65/EU (RoHS2). Finished electrical and electronic equipment products will be CE marked as required by Directive 2011/65/EU. Components may not be CE marked. Additionally, the part numbers that TE has identified as EU ELV compliant have a maximum concentration of 0.1% by weight in homogenous materials for lead, hexavalent chromium, and mercury, and 0.01% for cadmium, or qualify for an exemption to these limits as defined in the Annexes of Directive 2000/53/EC (ELV). Regarding the REACH Regulation, the information TE provides on SVHC in articles for this part number is based on the latest European Chemicals Agency (ECHA) 'Guidance on requirements for substances in articles' posted at this URL: <https://echa.europa.eu/guidance-documents/guidance-on-reach>

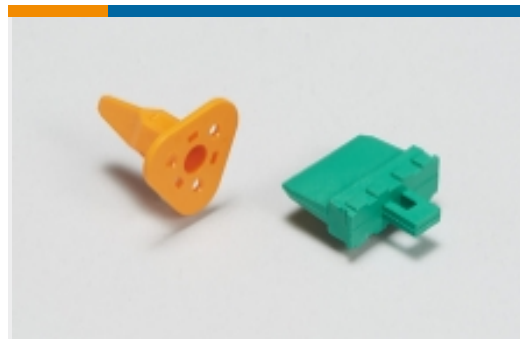
Compatible Parts



Also in the Series | AMPSEAL 16



Automotive Connector Caps & Covers (1)



Automotive Connector Locks & Position Assurance (2)



Automotive Housings (244)



Automotive Terminals (33)



Connector Backshells (84)



Connector Seals & Cavity Plugs (4)



Data Connectivity Headers (2)



Data Connectivity Housings (3)



Other Automotive Connector Accessories (11)

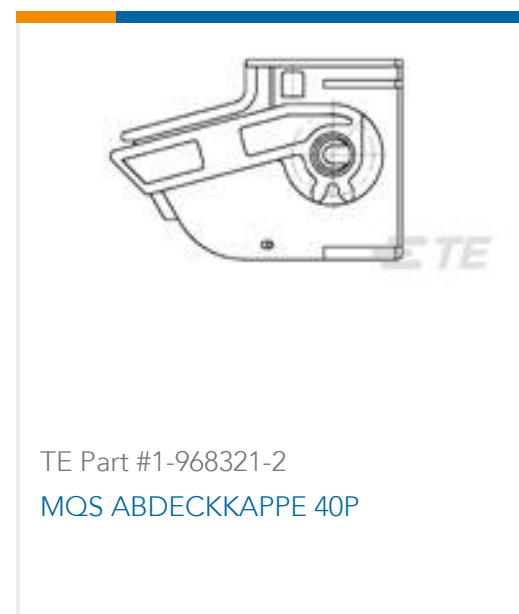
Customers Also Bought



TE Part #776433-1
AS 16, 6P PLUG ASSY, KEY 1



TE Part #6-968974-1
AMP MCP Unsealed Connector Housings



TE Part #1-968321-2
MQS ABDECKKAPPE 40P



TE Part #5-2600021-5
XRC SOCKET 20-24 AWG Gold Plated



TE Part #776300-1
PIN CONTACT WIRE TO WIRE LOOSE



TE Part #DT13-08PA
HDR, 8P, GRY, RA, NI/CU, A



TE Part #2292800-3
AS16 BACKSHELL, 6P PLUG, NC12, MC



TE Part #1-968317-3
MQS ABDECKKAPPE 24P

Documents

Product Drawings

ASSEMBLY SOCKET LOOSE PC GOLD

English

CAD Files

Customer View Model

[ENG_CVM_776297-1_A.3d_igs.zip](#)

English

Customer View Model

[ENG_CVM_776297-1_A.3d_stp.zip](#)

English

Customer View Model

[ENG_CVM_776297-1_A.2d_dxf.zip](#)

English

3D PDF

English

By downloading the CAD file I accept and agree to the [Terms and Conditions](#) of use.

Datasheets & Catalog Pages

ICT Terminals and Connectors Catalogue

English

CONNECTOR SELECTOR

English

Product Specifications

Application Specification

English

776297-1

Automotive Terminals, Socket, 18 – 14 AWG Wire Size, .8 – 2 mm² Wire Size, Gold (Au) Interface Plating, Terminates To Wire, AMPSEAL 16

