

7730454002 ✓ ACTIVE

RAYCHEM

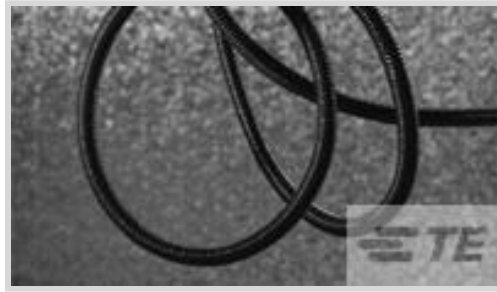
TE Internal #: 7730454002

Convolute Tubing, Crosslinked Fluoropolymer, Water / Chemicals / Solvents / Jet Fuel, -55 – 200 °C

[View on TE.com >](#)



Wire Protection & Management > Convolute Tubing



Primary Product Material: **Crosslinked Fluoropolymer**

Fluid Resistance Type: **Chemicals/Solvents, De-Icing Fluid, Diesel Fuel, Hydraulic Fluid, Jet Fuel, Lubricating Oil, Water**

Operating Temperature Range: **-55 – 200 °C**

Features

Body Features

Primary Product Material	Crosslinked Fluoropolymer
--------------------------	---------------------------

Dimensions

Inside Diameter Range	30.7 mm[1.21 in]
-----------------------	------------------

Usage Conditions

High Temperature Compatible	Yes
Fluid Resistance Type	Chemicals/Solvents, De-Icing Fluid, Diesel Fuel, Hydraulic Fluid, Jet Fuel, Lubricating Oil, Water
Operating Temperature Range	-55 – 200 °C

Operation/Application

Emission Free	Yes
---------------	-----

Packaging Features

Packaging Method	Spool
------------------	-------

Product Compliance

[For compliance documentation, visit the product page on TE.com>](#)

EU RoHS Directive 2011/65/EU	Compliant
EU ELV Directive 2000/53/EC	Compliant
China RoHS 2 Directive MIIT Order No 32, 2016	No Restricted Materials Above Threshold
EU REACH Regulation (EC) No. 1907/2006	Current ECHA Candidate List: JUNE 2023 (235)




Candidate List Declared Against: JUNE 2023 (235)
Does not contain REACH SVHC

Halogen Content	Low Bromine/Chlorine - Br and Cl < 900 ppm per homogenous material. Also BFR /CFR/PVC Free
Solder Process Capability	Not applicable for solder process capability


Product Compliance Disclaimer

This information is provided based on reasonable inquiry of our suppliers and represents our current actual knowledge based on the information they provided. This information is subject to change. The part numbers that TE has identified as EU RoHS compliant have a maximum concentration of 0.1% by weight in homogenous materials for lead, hexavalent chromium, mercury, PBB, PBDE, DBP, BBP, DEHP, DIBP, and 0.01% for cadmium, or qualify for an exemption to these limits as defined in the Annexes of Directive 2011/65/EU (RoHS2). Finished electrical and electronic equipment products will be CE marked as required by Directive 2011/65/EU. Components may not be CE marked. Additionally, the part numbers that TE has identified as EU ELV compliant have a maximum concentration of 0.1% by weight in homogenous materials for lead, hexavalent chromium, and mercury, and 0.01% for cadmium, or qualify for an exemption to these limits as defined in the Annexes of Directive 2000/53/EC (ELV). Regarding the REACH Regulation, the information TE provides on SVHC in articles for this part number is based on the latest European Chemicals Agency (ECHA) 'Guidance on requirements for substances in articles' posted at this URL: <https://echa.europa.eu/guidance-documents/guidance-on-reach>

Compatible Parts




TE Part # 931156-000
S1125-KIT-4



TE Part # 657863-000
S1125-KIT-8



TE Part # 878462-000
S1125-KIT-1

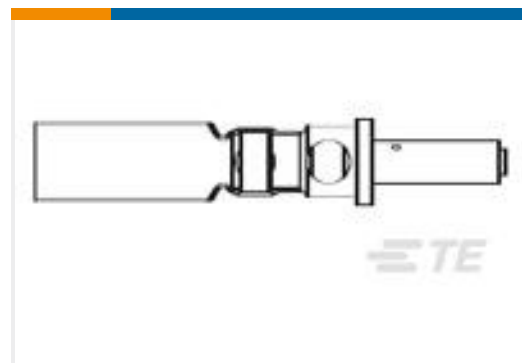


TE Part # 583393-000
S1125-KIT-5

Customers Also Bought



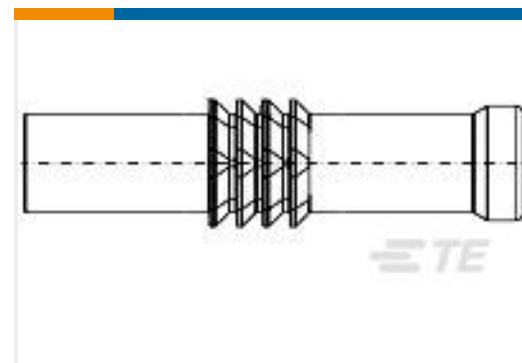
TE Part #DT04-08PA-E005
REC, 8P, BLK, N, CAP, A



TE Part #865421-000
D-602-0150



TE Part #350547-7
UMNL PIN 20-14 AUBR L/P



TE Part #1811633-1
SEAL PLUG



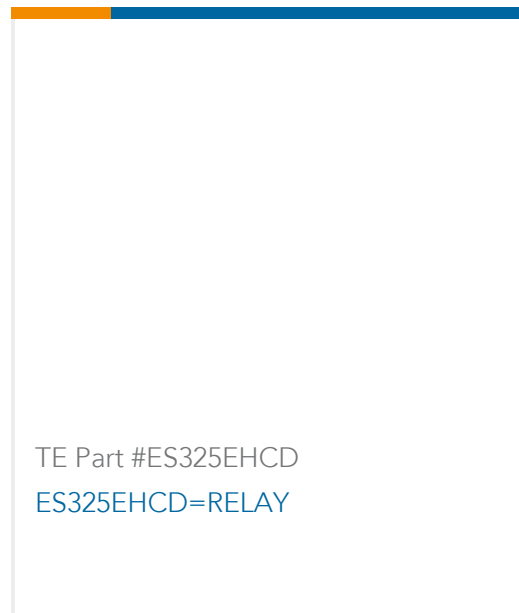
TE Part #D369-R99-NP0
369 9 WAY REC, NO CONTACTS, PIN



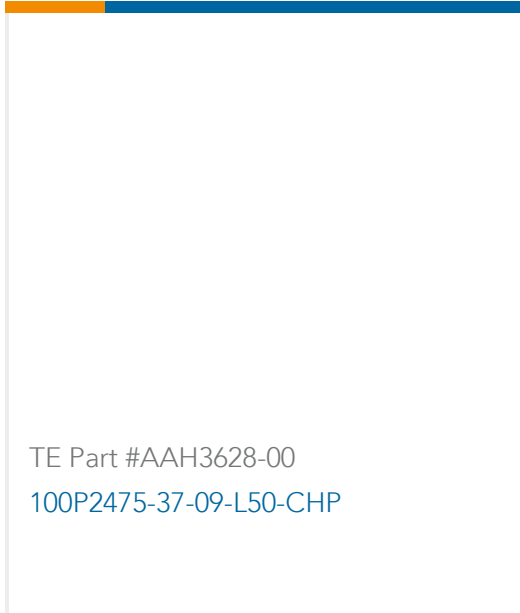
TE Part #1662-202-1631
CONTACT



TE Part #ZPF00000000011599
BJE 88



TE Part #ES325EHCD
ES325EHCD=RELAY



TE Part #AAH3628-00
100P2475-37-09-L50-CHP



TE Part #CX4031-000
55PC2124-24-9/96-9-L293

Documents

Product Drawings

[HCTE-1250-0-SP](#)

English

Datasheets & Catalog Pages

[1654025_Sec3_HCTE](#)

English

[Harness Repair Products Quick Reference Guide](#)

English

Product Specifications

[Helical Convolex Tubing HCTE Ethylene Tetrafluoroethylene, Modified, Radiation-Crosslinked](#)

English