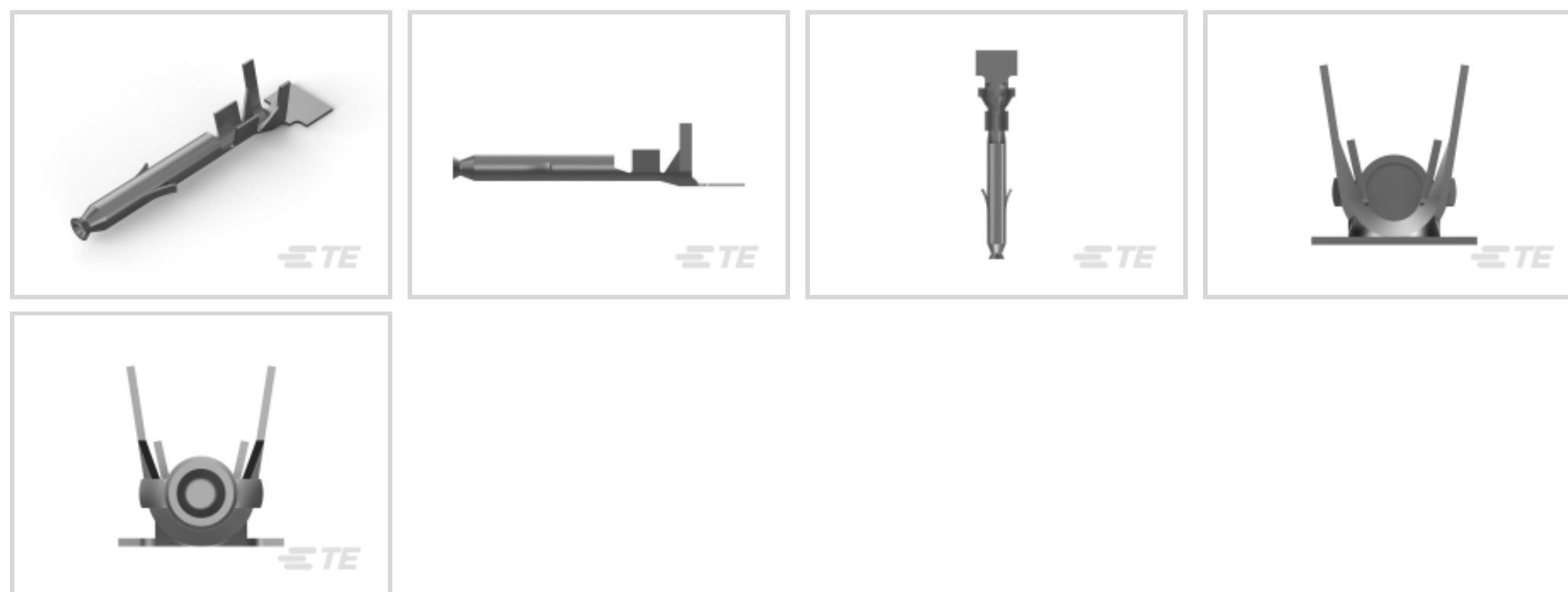




Connectors &gt; Power Connectors &gt; Power Contacts

Power Contact Type: **Contact**Operating Voltage: **600 VDC**Contact Mating Area Plating Material: **Tin**Wire Size: **22 – 18 AWG**

## Features

### Product Type Features

Compatible With Discrete Wire Type	Stranded
Power Contact Type	Contact
Connector & Contact Terminates To	Wire & Cable

### Electrical Characteristics

Operating Voltage	600 VDC
-------------------	---------

### Contact Features

Contact Mating Area Plating Material	Tin
Contact Current Rating (Max)	11.2 A
Contact Type	Socket
Contact Retention Within Housing	With
Mating Pin Diameter	1 mm [.039 in]
Contact Base Material	Phosphor Bronze
Wire Contact Termination Area Plating Thickness	2.54 μm [100 μin]
Wire Contact Termination Area Plating Material	Pre-Tin
Wire Contact Termination Area Plating Material Finish	Matte



Contact Orientation	Straight
---------------------	----------

### Termination Features

Termination Method to Wire & Cable	Crimp
------------------------------------	-------

### Mechanical Attachment

Wire Insulation Support	Without
-------------------------	---------

### Dimensions

Wire Size	.3 – .9 mm <sup>2</sup>
-----------	-------------------------

Compatible Insulation Diameter Range	1.5 – 2.39 mm [.059 – .094 in]
--------------------------------------	--------------------------------

### Usage Conditions

Operating Temperature Range	-55 – 105 °C [-67 – 221 °F]
-----------------------------	-----------------------------

### Operation/Application

Circuit Application	Power
---------------------	-------

### Industry Standards

CSA Rating	Certified, LR 7189
------------	--------------------

UL Rating	Recognized
-----------	------------

Agency/Standard	CSA, UL
-----------------	---------

### Packaging Features

Packaging Quantity	4500
--------------------	------

Packaging Method	Reel
------------------	------

### Other

Power Connectors Comment	HDM Applicator part number ending in -1 is used on AMPOMATOR CLS Machine with T or G Terminators, -2 is used on AMP-O-ELECTRIC Model K Machine, -3 is used on AMP-O-ELECTRIC Model G Machine.
--------------------------	---

### Product Compliance

[For compliance documentation, visit the product page on TE.com>](#)

EU RoHS Directive 2011/65/EU	Compliant
------------------------------	-----------

EU ELV Directive 2000/53/EC	Compliant
-----------------------------	-----------

China RoHS 2 Directive MIIT Order No 32, 2016	No Restricted Materials Above Threshold
---	---

EU REACH Regulation (EC) No. 1907/2006	Current ECHA Candidate List: JUNE 2023 (235)
--	--



Candidate List Declared Against: JUNE 2023 (235)  
Does not contain REACH SVHC

Halogen Content	Low Halogen - Br, Cl, F, I < 900 ppm per homogenous material. Also BFR/CFR/PVC Free
Solder Process Capability	Not applicable for solder process capability

Product Compliance Disclaimer

This information is provided based on reasonable inquiry of our suppliers and represents our current actual knowledge based on the information they provided. This information is subject to change. The part numbers that TE has identified as EU RoHS compliant have a maximum concentration of 0.1% by weight in homogenous materials for lead, hexavalent chromium, mercury, PBB, PBDE, DBP, BBP, DEHP, DIBP, and 0.01% for cadmium, or qualify for an exemption to these limits as defined in the Annexes of Directive 2011/65/EU (RoHS2). Finished electrical and electronic equipment products will be CE marked as required by Directive 2011/65/EU. Components may not be CE marked. Additionally, the part numbers that TE has identified as EU ELV compliant have a maximum concentration of 0.1% by weight in homogenous materials for lead, hexavalent chromium, and mercury, and 0.01% for cadmium, or qualify for an exemption to these limits as defined in the Annexes of Directive 2000/53/EC (ELV). Regarding the REACH Regulation, the information TE provides on SVHC in articles for this part number is based on the latest European Chemicals Agency (ECHA) 'Guidance on requirements for substances in articles' posted at this URL: <https://echa.europa.eu/guidance-documents/guidance-on-reach>

## Compatible Parts

TE Part # CAT-AM71-C83998EE  
Mini Circular Plastic Connectors (CPC)

TE Part # 91522-1  
CCII MINI UNML PIN SKT 22-18 ASSY

TE Part # 90759-1  
PROCRIMP TL W/DIE MIN UNIV MNL

TE Part # 189727-1  
EXTRACTION TOOL

TE Part # 455830-1  
INSERTION TOOL

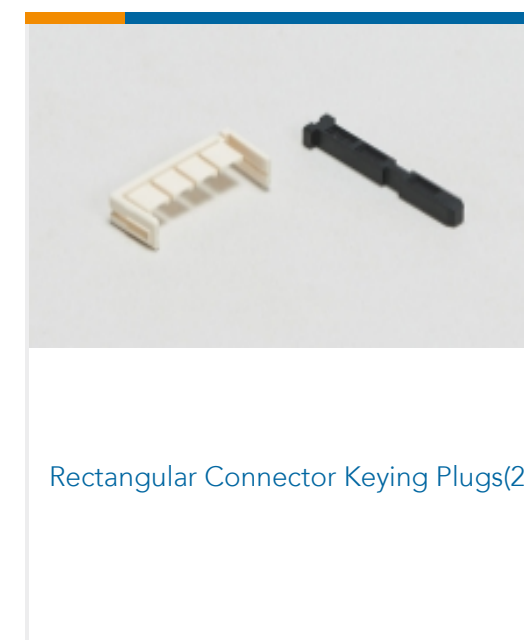
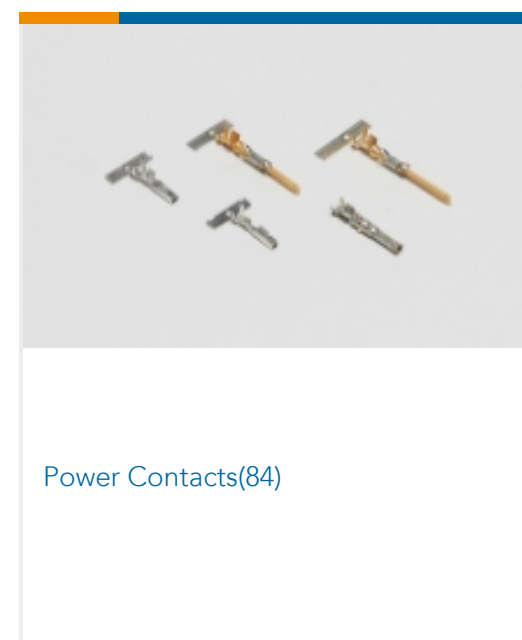
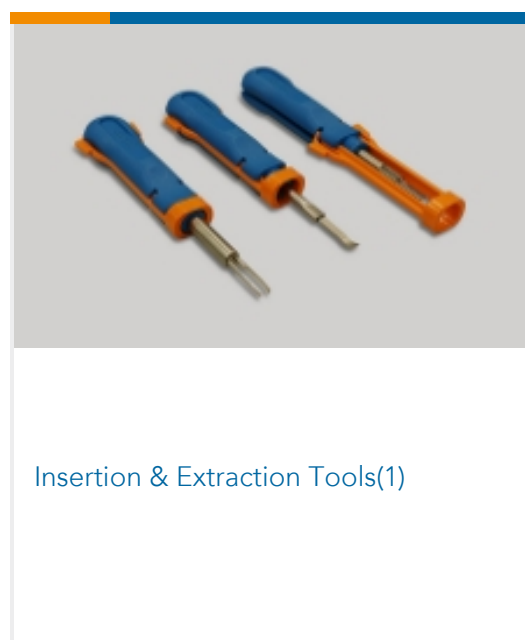
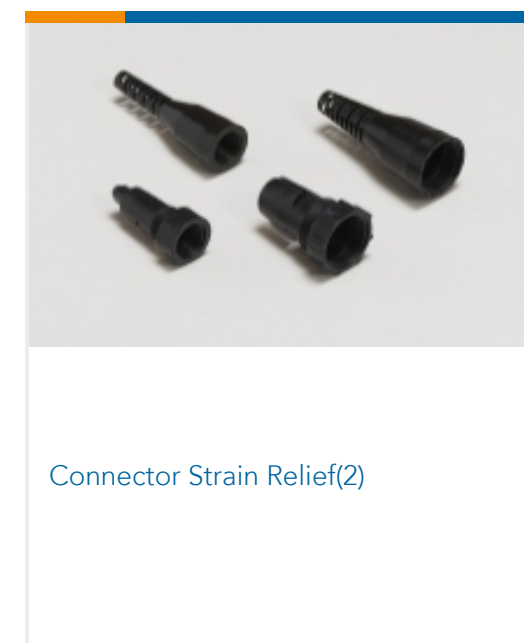
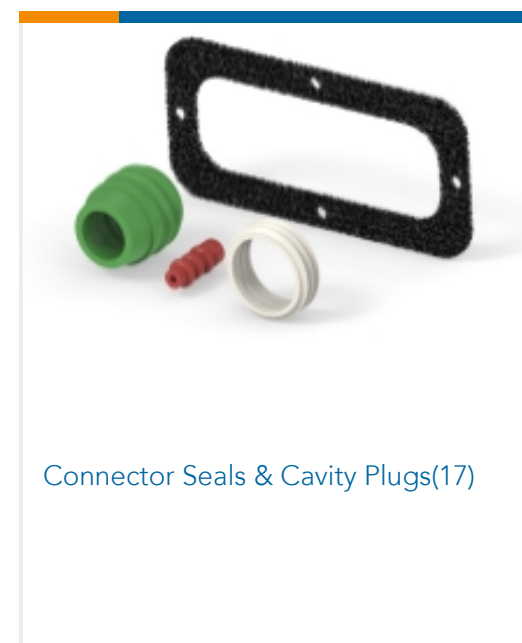
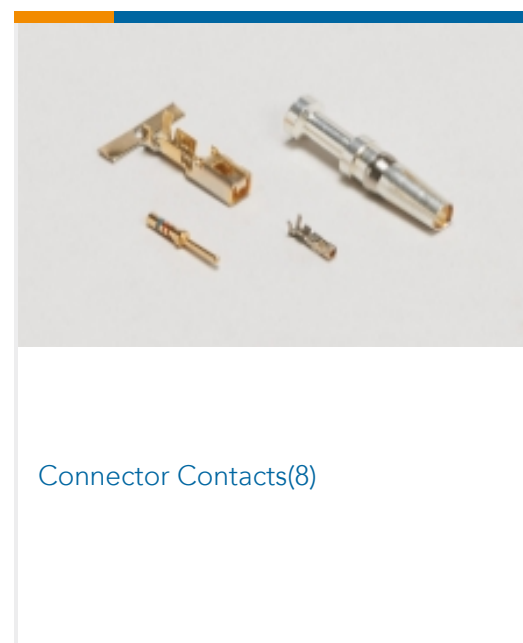
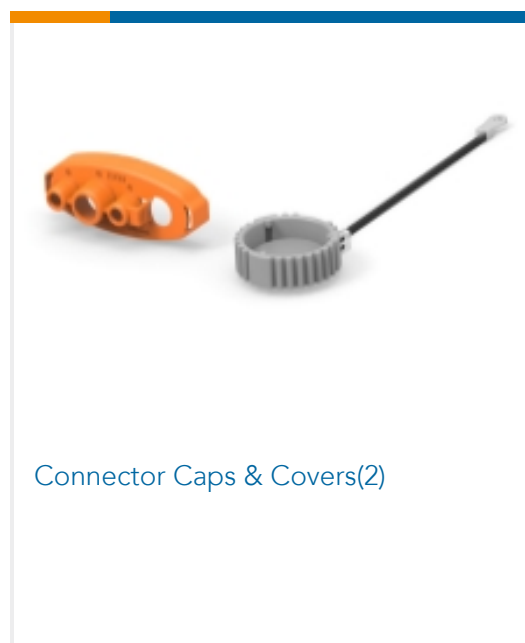
TE Part # 770586-1  
22P MINI UNML PLUG HSG

TE Part # 794942-1  
10P MINI UNML CAP HSG

TE Part # 770587-1  
24P MINI UNML PLUG HSG



## Also in the Series | Mini-Universal MATE-N-LOK





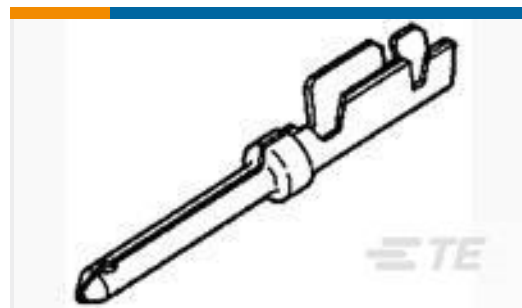
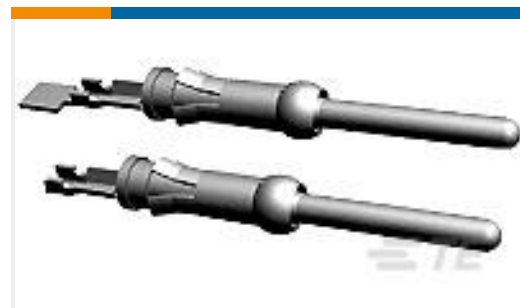
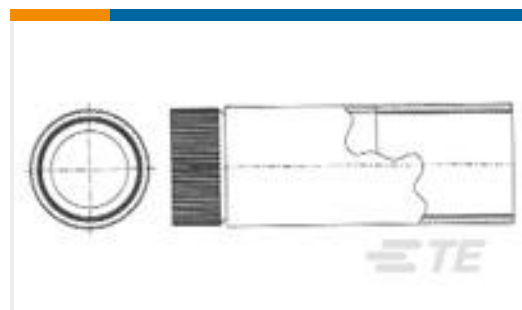
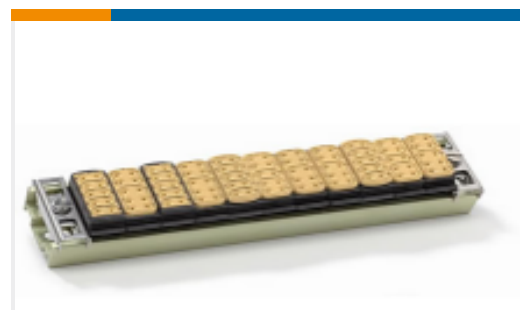


Rectangular Connector Locking(2)



Rectangular Power Connectors(244)

## Customers Also Bought

TE Part #1658670-3  
PIN CONTACT,22 DF,STRIP,22-28TE Part #66425-8  
III+ PIN,30-26,30AU/FL,STRIPTE Part #2-32561-1  
PIDG Flanged Spade Tongue  
TerminalsTE Part #4-1437567-3  
MPE106F=SWITCH PUSH BUTTON  
WATTE Part #1546997-1  
STR RLF ASSY,TUBING,SIZE 8TE Part #ZPF000000000020170  
FMJ 12E 22-02TE Part #1394278-1  
KIT, BACKSHELL, AMPLIMITE, HD, 50  
PTE Part #6578596-3  
31-019476-000D, CABLE ASSEMBLYTE Part #5039274102  
DR-25-1/4-0-CS-34034

## Documents

### Product Drawings

[MINI UMNL SOK CONT 22-18 AWG](#)

English

### CAD Files

[Customer View Model](#)

[ENG\\_CVM\\_CVM\\_770904-4\\_W.2d\\_dxf.zip](#)

English

[3D PDF](#)



3D

Customer View Model

[ENG\\_CVM\\_CVM\\_770904-4\\_W.3d\\_igs.zip](#)

English

Customer View Model

[ENG\\_CVM\\_CVM\\_770904-4\\_W.3d\\_stp.zip](#)

English

By downloading the CAD file I accept and agree to the [Terms and Conditions](#) of use.

---

### Datasheets & Catalog Pages

[AMP Circular Connectors for Commercial Signal & Power Applications Continued](#)

English

[SOFT\\_SHELL\\_PIN\\_AND\\_SOCKET\\_CONNECTORS\\_CATALOG](#)

English

---

### Product Specifications

[Product Specification](#)

English

---

### Product Environmental Compliance

[MD\\_770904-4\\_10182016116\\_dmtec](#)

English

[MD\\_770904-4\\_10182016116\\_dmtec](#)

English

---

### Instruction Sheets

[Instruction Sheet \(U.S.\)](#)

English