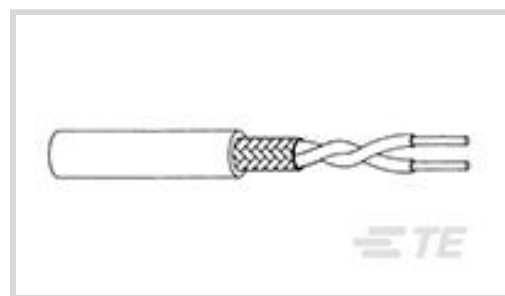




Wire & Cable > High Speed Digital & Data Cable

Cable Type: **Cheminax**Impedance: **78 Ω**Wire Size: **24 AWG**Operating Temperature Range: **-65 – 200 °C [-85 – 392 °F]**

Features

Product Type Features

Product Classification	Cable - Coaxial
Cable Style	Twisted Pair
Product Type	Cable

Electrical Characteristics

	20 pF/ft
Impedance	78 Ω

Signal Characteristics

Velocity of Propagation	74%
-------------------------	-----

Body Features

Shield Material	Silver-Coated Copper
Shield Style	Single
Jacket Color	Transparent White
Conductor Material	Silver-Plated Copper

Dimensions

Wire Diameter	.64 mm[.025 in]
Cable Dielectric Diameter	1.19 mm[.047 in]
Overall Outside Diameter	3.43 mm[.135 in]
Wire Size	24 AWG

Usage Conditions



Cable Type	Cheminax
Operating Temperature Range	-65 – 200 °C[-85 – 392 °F]

Other

Dielectric Material	Rayfoam H
---------------------	-----------

Product Compliance

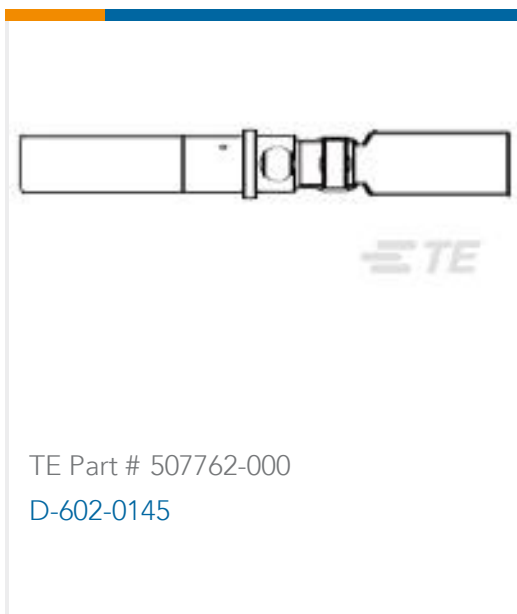
[For compliance documentation, visit the product page on TE.com>](#)

EU RoHS Directive 2011/65/EU	Compliant
EU ELV Directive 2000/53/EC	Compliant
China RoHS 2 Directive MIIT Order No 32, 2016	No Restricted Materials Above Threshold
EU REACH Regulation (EC) No. 1907/2006	Current ECHA Candidate List: JUNE 2023 (235) Candidate List Declared Against: JUNE 2023 (235) Does not contain REACH SVHC
Halogen Content	Out of Scope - excluded from Halogen requirements
Solder Process Capability	Not applicable for solder process capability

Product Compliance Disclaimer

This information is provided based on reasonable inquiry of our suppliers and represents our current actual knowledge based on the information they provided. This information is subject to change. The part numbers that TE has identified as EU RoHS compliant have a maximum concentration of 0.1% by weight in homogenous materials for lead, hexavalent chromium, mercury, PBB, PBDE, DBP, BBP, DEHP, DIBP, and 0.01% for cadmium, or qualify for an exemption to these limits as defined in the Annexes of Directive 2011/65/EU (RoHS2). Finished electrical and electronic equipment products will be CE marked as required by Directive 2011/65/EU. Components may not be CE marked. Additionally, the part numbers that TE has identified as EU ELV compliant have a maximum concentration of 0.1% by weight in homogenous materials for lead, hexavalent chromium, and mercury, and 0.01% for cadmium, or qualify for an exemption to these limits as defined in the Annexes of Directive 2000/53/EC (ELV). Regarding the REACH Regulation, the information TE provides on SVHC in articles for this part number is based on the latest European Chemicals Agency (ECHA) 'Guidance on requirements for substances in articles' posted at this URL: <https://echa.europa.eu/guidance-documents/guidance-on-reach>

Compatible Parts



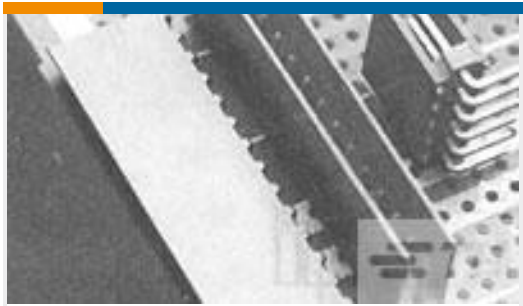
Customers Also Bought



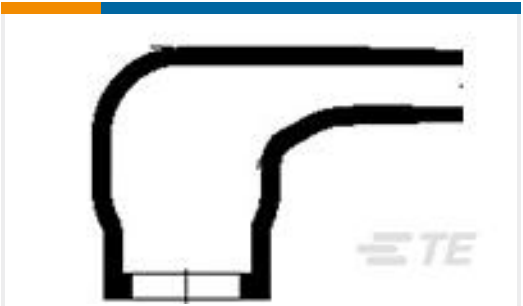
TE Part #5553811-1
ASSY,EMI RCPT,24 POSN,SCR LK



TE Part #66429-4
III+ PIN,30-26,30AU/FL,LP



TE Part #1-281695-2
HEADER HE14 STRAIGHT 12 P



TE Part #CF1638-000
223W601-25-0



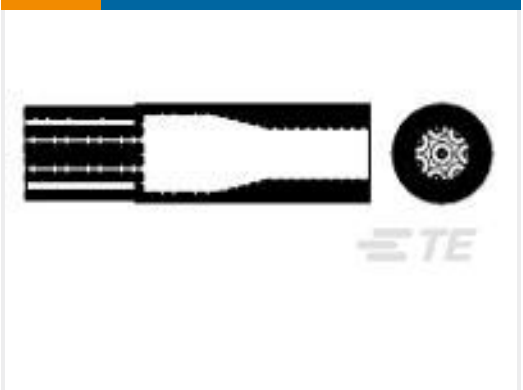
TE Part #144431-1
TIMER, RECEPTACLE AND TAB



TE Part #185402-1
MODULAR RELAY HOLDER



TE Part #4-2176422-2
TLRP 2512 3.0W R100 1% 25PPM 4K RL



TE Part #C32569-001
8S42-100FR

Documents

Product Drawings

[7824E0422-9X](#)

English

Datasheets & Catalog Pages

[1654025_Sec9_CheminaxCables](#)

English

Product Specifications

[Product Specification](#)

English