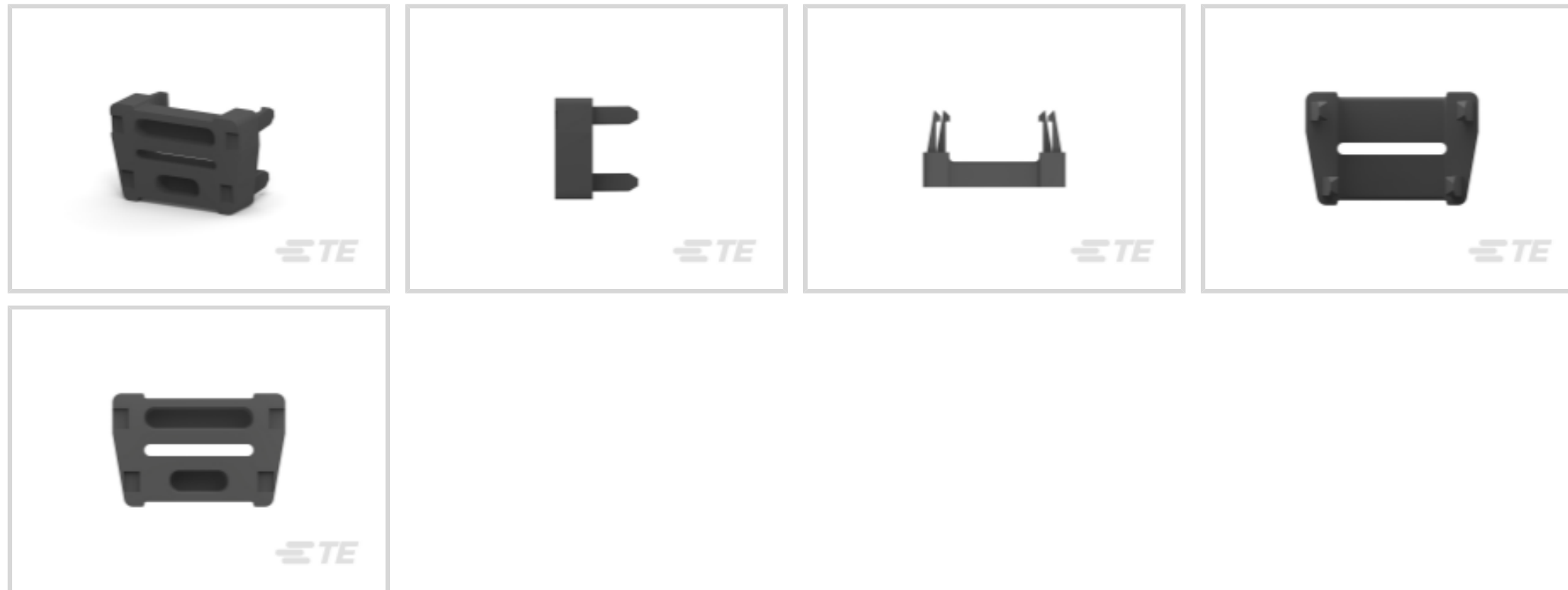




Connectors > D-Shaped Connectors > D-Sub Accessories > D-Sub Locking & Mounting



Connector Mounting Accessory Type: **Cable Stabilizer**

Features

Product Type Features

Connector Mounting Accessory Type	Cable Stabilizer
-----------------------------------	------------------

Body Features

Primary Product Material	Thermoplastic
Product Orientation	Horizontal

Dimensions

	.759 in
--	---------

Packaging Features

Packaging Quantity	1
Packaging Method	Package

Product Compliance

[For compliance documentation, visit the product page on TE.com>](#)

EU RoHS Directive 2011/65/EU	Compliant
EU ELV Directive 2000/53/EC	Compliant
China RoHS 2 Directive MIIT Order No 32, 2016	No Restricted Materials Above Threshold
EU REACH Regulation (EC) No. 1907/2006	Current ECHA Candidate List: JUNE 2023 (235) Candidate List Declared Against: JUNE 2023 (235)

Does not contain REACH SVHC

Halogen Content

Not Low Halogen - contains Br or Cl > 900 ppm.

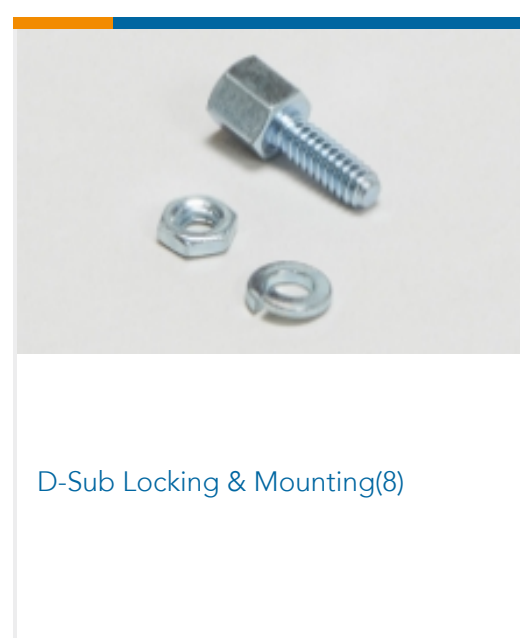
Solder Process Capability

Not applicable for solder process capability

Product Compliance Disclaimer

This information is provided based on reasonable inquiry of our suppliers and represents our current actual knowledge based on the information they provided. This information is subject to change. The part numbers that TE has identified as EU RoHS compliant have a maximum concentration of 0.1% by weight in homogenous materials for lead, hexavalent chromium, mercury, PBB, PBDE, DBP, BBP, DEHP, DIBP, and 0.01% for cadmium, or qualify for an exemption to these limits as defined in the Annexes of Directive 2011/65/EU (RoHS2). Finished electrical and electronic equipment products will be CE marked as required by Directive 2011/65/EU. Components may not be CE marked. Additionally, the part numbers that TE has identified as EU ELV compliant have a maximum concentration of 0.1% by weight in homogenous materials for lead, hexavalent chromium, and mercury, and 0.01% for cadmium, or qualify for an exemption to these limits as defined in the Annexes of Directive 2000/53/EC (ELV). Regarding the REACH Regulation, the information TE provides on SVHC in articles for this part number is based on the latest European Chemicals Agency (ECHA) 'Guidance on requirements for substances in articles' posted at this URL: <https://echa.europa.eu/guidance-documents/guidance-on-reach>

Compatible Parts

Also in the Series | **AMPLIMITE HDF**

Customers Also Bought



TE Part #1658610-4
09 POS HDF RCPT, MS, LEAD FREE



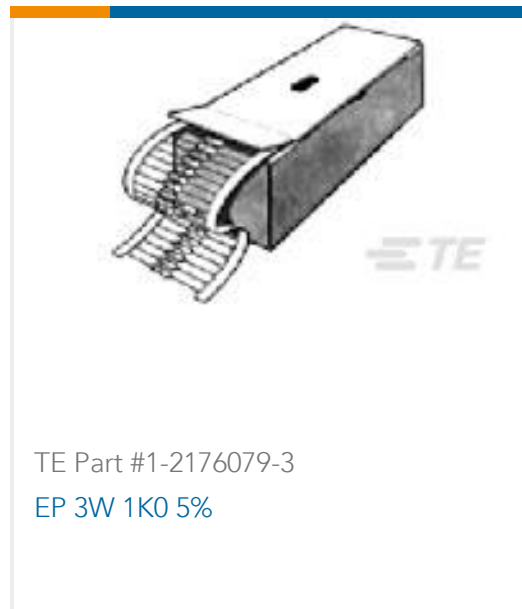
TE Part #1658608-4
09 POS HDF PLUG, MS, LEAD FREE



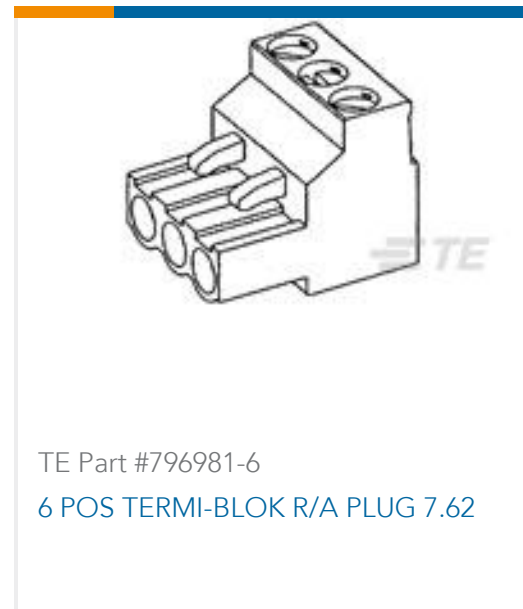
TE Part #3-6609129-0
5EFM4SC=F8114



TE Part #5-103168-4
12 MODII HDR DRST SHRD .100CL



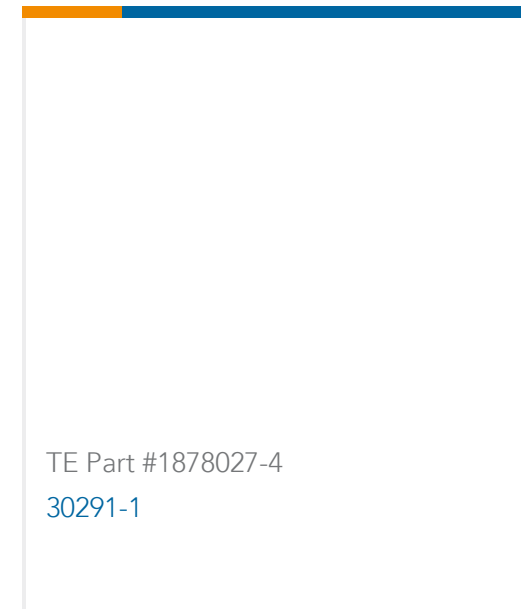
TE Part #1-2176079-3
EP 3W 1K0 5%



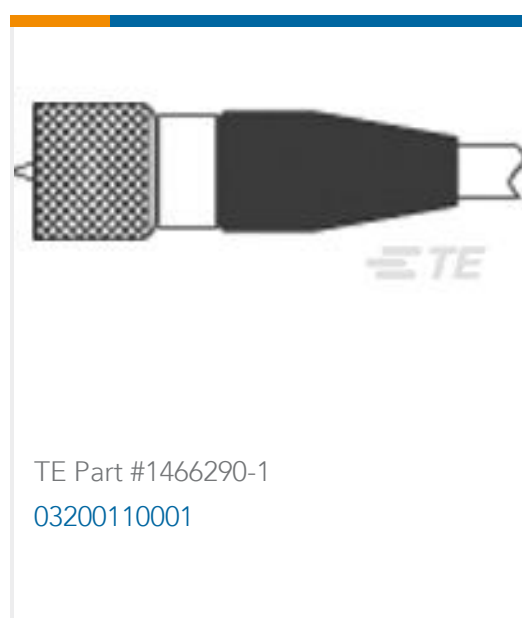
TE Part #796981-6
6 POS TERMI-BLOK R/A PLUG 7.62



TE Part #6-2176414-2
7W STD M/OX 5% 6K8



TE Part #1878027-4
30291-1



TE Part #1466290-1
03200110001

Documents

Product Drawings

009 LP HDF STRAIN RELIEF

English

CAD Files

3D PDF

3D

Customer View Model

[ENG_CVM_CVM_747275-4_L.2d_dxf.zip](#)

English

Customer View Model

[ENG_CVM_CVM_747275-4_L.3d_igs.zip](#)

English

Customer View Model

[ENG_CVM_CVM_747275-4_L.3d_stp.zip](#)

English

By downloading the CAD file I accept and agree to the [Terms and Conditions](#) of use.

Datasheets & Catalog Pages



[AMPLIMITE Subminiature D Connectors - Cable Connectors](#)

English

[AMPLIMITE Cable Connectors and Shielding Hardware Kits QRG](#)

English

[Product Specifications](#)

[Product Specification](#)

English

[Product Environmental Compliance](#)

[MD_747275-4_12122013833_dmtec](#)

English

[MD_747275-4_12122013833_dmtec](#)

English