

735075 ✓ ACTIVE

FASTON | FASTON 250

TE Internal #: 735075

Crimp Terminal Housings, Receptacle, Receptacle, 1 Position,
Straight, UL 94HB, Natural, Polypropylene, Mating Alignment,
FASTON 250

[View on TE.com >](#)



Terminals & Splices > Terminal Housings, Insulation Sleeves & Blocks > Crimp Terminal Housings



Terminal Type: **Receptacle**

Connector & Housing Type: **Receptacle**

Number of Positions: **1**

Terminal Orientation: **Straight**

UL Flammability Rating: **UL 94HB**

Features

Product Type Features

Sealable	No
Connector & Housing Type	Receptacle

Configuration Features

Number of Positions	1
---------------------	---

Body Features

Connector & Keying Code	B
Primary Product Color	Natural

Contact Features

Terminal Type	Receptacle
Terminal Orientation	Straight
Contact Mating Retention	Without

Mechanical Attachment

Mating Alignment	With
------------------	------

Connector Mounting Type

Cable Mount (Free-Hanging)

Housing Features

Housing Material

Polypropylene

Dimensions

Product Length

24.4 mm[.961 in]

Usage Conditions

Operating Temperature Range

-40 – 105 °C[-40 – 221 °F]

Industry Standards

UL Flammability Rating

UL 94HB

Packaging Features

Packaging Quantity

20000

Packaging Method

Carton

Product Compliance

For compliance documentation, visit the product page on [TE.com](https://www.te.com)>

EU RoHS Directive 2011/65/EU

Compliant

EU ELV Directive 2000/53/EC

Compliant

China RoHS 2 Directive MIIT Order No 32, 2016

No Restricted Materials Above Threshold

EU REACH Regulation (EC) No. 1907/2006

Current ECHA Candidate List: JUNE 2023 (235)
 Candidate List Declared Against: JUNE 2023 (235)
 Does not contain REACH SVHC

Halogen Content

Low Halogen - Br, Cl, F, I < 900 ppm per homogenous material. Also BFR/CFR/PVC Free

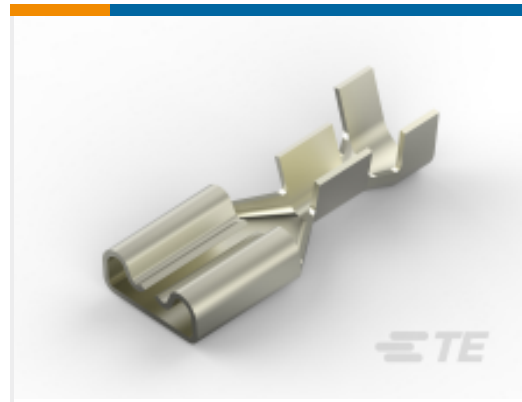
Solder Process Capability

Not applicable for solder process capability

Product Compliance Disclaimer

This information is provided based on reasonable inquiry of our suppliers and represents our current actual knowledge based on the information they provided. This information is subject to change. The part numbers that TE has identified as EU RoHS compliant have a maximum concentration of 0.1% by weight in homogenous materials for lead, hexavalent chromium, mercury, PBB, PBDE, DBP, BBP, DEHP, DIBP, and 0.01% for cadmium, or qualify for an exemption to these limits as defined in the Annexes of Directive 2011/65/EU (RoHS2). Finished electrical and electronic equipment products will be CE marked as required by Directive 2011/65/EU. Components may not be CE marked. Additionally, the part numbers that TE has identified as EU ELV compliant have a maximum concentration of 0.1% by weight in homogenous materials for lead, hexavalent chromium, and mercury, and 0.01% for cadmium, or qualify for an exemption to these limits as defined in the Annexes of Directive 2000/53/EC (ELV). Regarding the REACH Regulation, the information TE provides on SVHC in articles for this part number is based on the latest European Chemicals Agency (ECHA) 'Guidance on requirements for substances in articles' posted at this URL: <https://echa.europa.eu/guidance-documents/guidance-on-reach>

Compatible Parts



TE Part # 1742198-1
250 FASTON,REC.,18-14 AWG,NPST



TE Part # 2238173-3
250 FASTON,REC.,22-12 AWG,TPBR



TE Part # 7-1377174-6
SMP 0-0735075-0



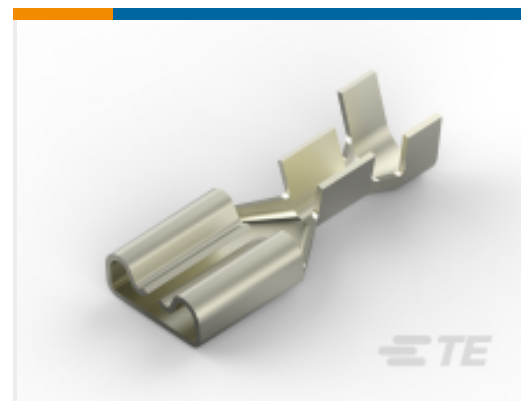
TE Part # 444335-1
250 FASTON REC 16-14 AWG BR



TE Part # 2238204-3
FASTON 250 STD REC STR 22-18TPBR



TE Part # 2238143-1
250 FASTON,REC.,22-18 AWG,NPST



TE Part # 2238196-3
FASTON 250 STD REC STR 18-14TPBR

Also in the Series | FASTON 250



Compression Connectors(4)



Crimp Terminal Housings(142)



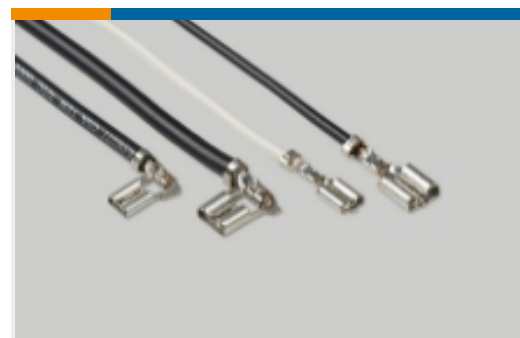
Insertion & Extraction Tools(6)



Magnet Wire Terminals(1)



PCB Terminals(135)

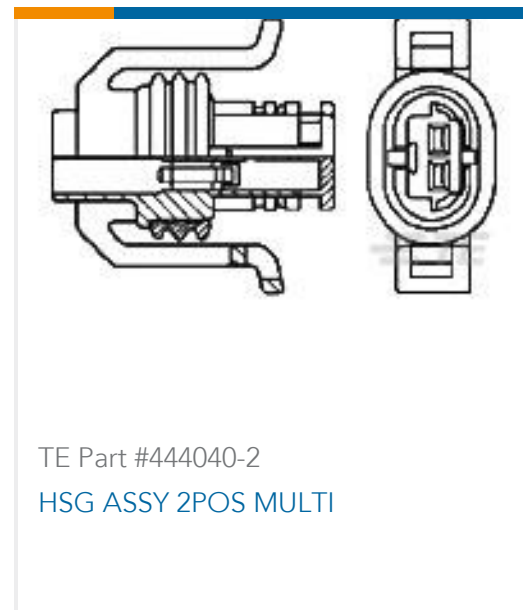


Quick Disconnects(445)



Splices(4)

Customers Also Bought



Documents

Product Drawings

[250 FASTON HSG. REC. 1P CLEAR](#)

English

CAD Files

Customer View Model

[ENG_CVM_CVM_735075_AW.2d_dxf.zip](#)

English

3D PDF

3D

Customer View Model

[ENG_CVM_CVM_735075_AW.3d_igs.zip](#)

English

Customer View Model

[ENG_CVM_CVM_735075_AW.3d_stp.zip](#)

English

By downloading the CAD file I accept and agree to the [Terms and Conditions](#) of use.

Datasheets & Catalog Pages



FASTON Housings

English

Product Specifications

6,35 FASTON RECPTACLES AND TAB SLEEVES

English

Product Specification

English

Product Environmental Compliance

Product Compliance Document

English

Product Compliance Document

English

Agency Approvals

UL Report

English

UL Report

English