

726347-1 ✓ ACTIVE

SOLISTRAND

TE Internal #: 726347-1

Closed Ring Tongue Terminal, 0 AWG, M8 Stud Size, 8.4 mm [.331 in] Stud Diameter, Closed Barrel, Straight, Tin, Uninsulated

[View on TE.com >](#)



Terminals & Splices > Ring Terminals



Ring Terminal Product Type: **Closed Ring Tongue Terminal**

Wire Size: **41 – 60 mm²**

Stud Size: **M8**

Stud Diameter: **8.4 mm [.331 in]**

Features

Product Type Features

| | |
|--|-----------------------------|
| Ring Terminal Product Type | Closed Ring Tongue Terminal |
| Stud Size | M8 |
| Sealable | No |
| Wire Insulation Support Retention Type | Non-Insulation Support |

Configuration Features

| | |
|-----------------|---|
| Number of Holes | 1 |
|-----------------|---|

Body Features

| | |
|----------------|----------|
| Product Weight | 18.051 g |
|----------------|----------|

Contact Features

| | |
|---------------------------|----------|
| Barrel Type | Closed |
| Terminal Orientation | Straight |
| Terminal Plating Material | Tin |

Mechanical Attachment

| | |
|-------------------------|---------|
| Wire Insulation Support | Without |
|-------------------------|---------|

Dimensions

| | |
|------------------|-------------------------|
| Wire Size | 41 – 60 mm ² |
| Stud Diameter | 8.4 mm[.331 in] |
| Tongue Thickness | .79 mm[.031 in] |
| Product Length | 34 mm[1.34 in] |



Usage Conditions

| | |
|-----------------------------|----------------|
| Insulation Option | Uninsulated |
| Operating Temperature Range | 170 °C[338 °F] |

Operation/Application

| | |
|---------------------------------------|--------|
| Compatible With Wire Base Material | Copper |
| Compatible With Wire Plating Material | Tin |

Industry Standards

| | |
|-------------------------------|----|
| Government Qualified Terminal | No |
|-------------------------------|----|

Packaging Features

| | |
|--------------------|-----|
| Packaging Quantity | 100 |
| Packaging Method | Box |

Product Compliance

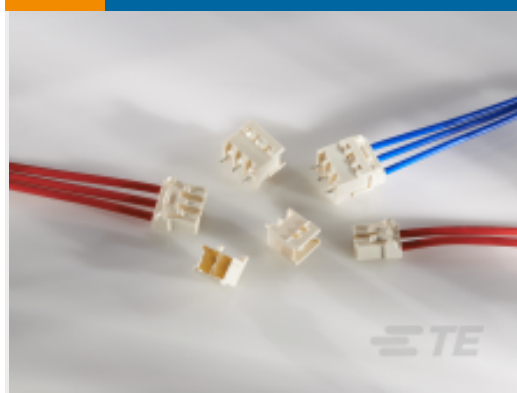
[For compliance documentation, visit the product page on TE.com>](#)

| | |
|---|--|
| EU RoHS Directive 2011/65/EU | Compliant |
| EU ELV Directive 2000/53/EC | Compliant |
| China RoHS 2 Directive MIIT Order No 32, 2016 | No Restricted Materials Above Threshold |
| EU REACH Regulation (EC) No. 1907/2006 | Current ECHA Candidate List: JUNE 2023 (235) Candidate List Declared Against: JAN 2022 (223) Does not contain REACH SVHC |
| Halogen Content | Low Halogen - Br, Cl, F, I < 900 ppm per homogenous material. Also BFR/CFR/PVC Free |
| Solder Process Capability | Not applicable for solder process capability |

Product Compliance Disclaimer

This information is provided based on reasonable inquiry of our suppliers and represents our current actual knowledge based on the information they provided. This information is subject to change. The part numbers that TE has identified as EU RoHS compliant have a maximum concentration of 0.1% by weight in homogenous materials for lead, hexavalent chromium, mercury, PBB, PBDE, DBP, BBP, DEHP, DIBP, and 0.01% for cadmium, or qualify for an exemption to these limits as defined in the Annexes of Directive 2011/65/EU (RoHS2). Finished electrical and electronic equipment products will be CE marked as required by Directive 2011/65/EU. Components may not be CE marked. Additionally, the part numbers that TE has identified as EU ELV compliant have a maximum concentration of 0.1% by weight in homogenous materials for lead, hexavalent chromium, and mercury, and 0.01% for cadmium, or qualify for an exemption to these limits as defined in the Annexes of Directive 2000/53/EC (ELV). Regarding the REACH Regulation, the information TE provides on SVHC in articles for this part number is based on the latest European Chemicals Agency (ECHA) 'Guidance on requirements for substances in articles' posted at this URL: <https://echa.europa.eu/guidance-documents/guidance-on-reach>

Customers Also Bought



TE Part #2-2232875-1
GIC6.0MM CONNECTOR PLUG
HOUSING 2POS



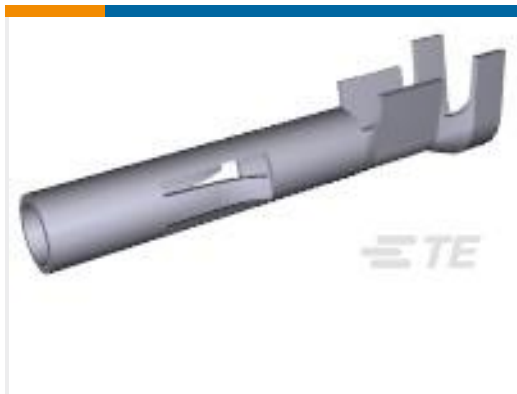
TE Part #2273004-1
M8 x 1.0 straight plug Pigtail Shld



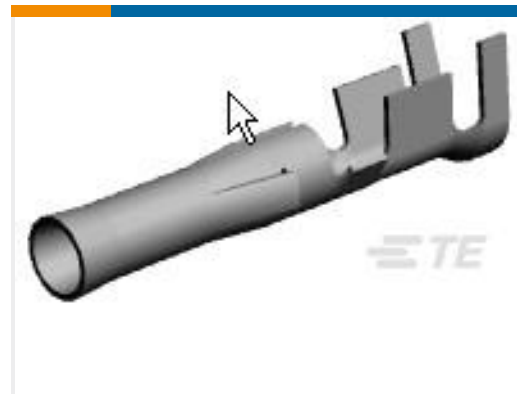
TE Part #T4010019031-000
M8,SCREW, FEMALE,S,SHIELD,3P,
GOLD



TE Part #1534807-1
HD20 COVER KIT 15P



TE Part #350550-3
UMNL SOK 20-14 PTPPHBZ L/P



TE Part #770144-1
.093 CP&S SOK PTPBR L/P 20-14



TE Part #770424-1
02P.093 COMM P&S RCPT .248CL



TE Part #770425-1
02P .093 COMM P&S PLUG .248CL



TE Part #3-644460-5
05P MTA156 CONN ASSY 18AWG
ORA



TE Part #TAD14145101-005
M12D4-MS-PUR TYPE C GREEN-5.0M

Documents

Product Drawings

[SO-RINGZUNGE D46234](#)

English

Datasheets & Catalog Pages

[RADIATION_RESISTANT_PRE-INSULATED_TERMINALS_SPLICES](#)

English