

724762-1 ✓ ACTIVE

AMP | EI Series

TE Internal #: 724762-1

Insertion & Extraction Tools, Contact Extraction, Contact-to-Housing, EI Series

[View on TE.com >](#)



Application Tooling > Insertion & Extraction Tools



Insertion & Extraction Tool Type: **Contact Extraction**

Insertion & Extraction Tool Application: **Contact-to-Housing**

Features

Product Type Features

Insertion & Extraction Tool Type	Contact Extraction
Insertion & Extraction Tool Application	Contact-to-Housing

Product Compliance

[For compliance documentation, visit the product page on TE.com>](#)

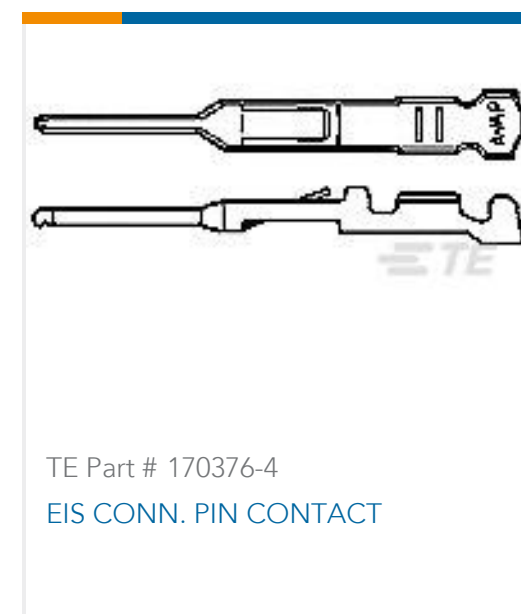
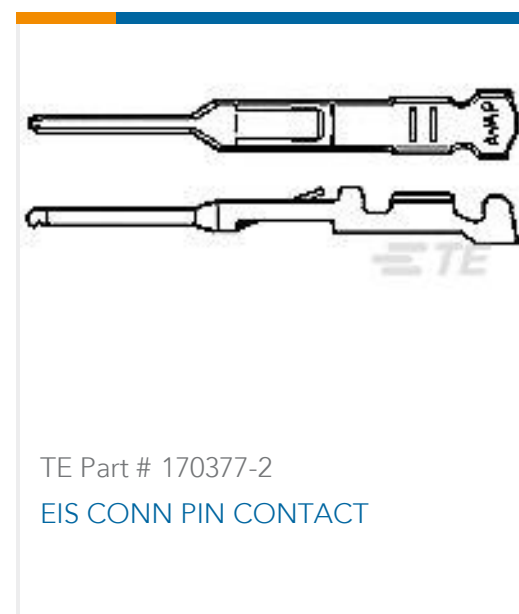
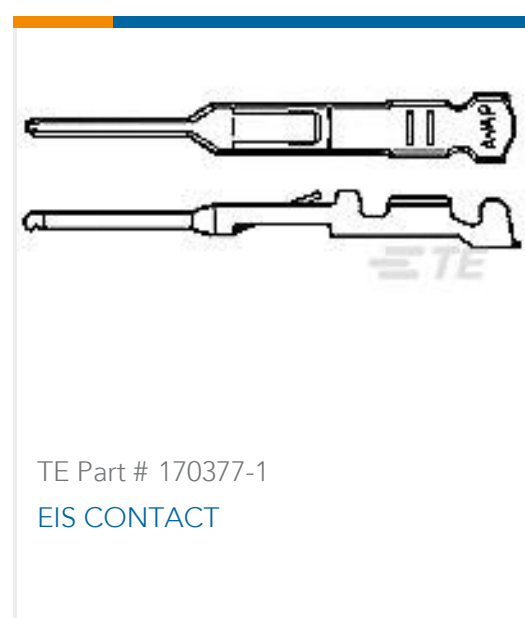
EU RoHS Directive 2011/65/EU	Out of Scope
EU ELV Directive 2000/53/EC	Out of Scope
China RoHS 2 Directive MIIT Order No 32, 2016	Not reviewed for China RoHS compliance
EU REACH Regulation (EC) No. 1907/2006	Current ECHA Candidate List: JUNE 2023 (235) Candidate List Declared Against: JUL 2021 (219) Does not contain REACH SVHC
Halogen Content	Low Halogen - Br, Cl, F, I < 900 ppm per homogenous material. Also BFR/CFR/PVC Free
Solder Process Capability	Not applicable for solder process capability

Product Compliance Disclaimer

This information is provided based on reasonable inquiry of our suppliers and represents our current actual knowledge based on the information they provided. This information is subject to change. The part numbers that TE has identified as EU RoHS compliant have a maximum concentration of 0.1% by weight in homogenous materials for lead, hexavalent chromium, mercury, PBB, PBDE, DBP, BBP, DEHP, DIBP, and 0.01% for cadmium, or qualify for an exemption to these limits as defined in the Annexes of Directive 2011/65/EU (RoHS2). Finished electrical and electronic equipment products will be CE marked as required by Directive 2011/65/EU. Components may not be CE marked. Additionally, the part numbers that TE has identified as EU ELV compliant have a maximum concentration of 0.1% by weight in homogenous materials for lead, hexavalent chromium, and mercury, and 0.01% for cadmium, or qualify for an exemption to these limits as defined in the Annexes of Directive 2000/53/EC (ELV). Regarding the REACH Regulation, the information TE provides

on SVHC in articles for this part number is based on the latest European Chemicals Agency (ECHA) 'Guidance on requirements for substances in articles' posted at this URL: <https://echa.europa.eu/guidance-documents/guidance-on-reach>

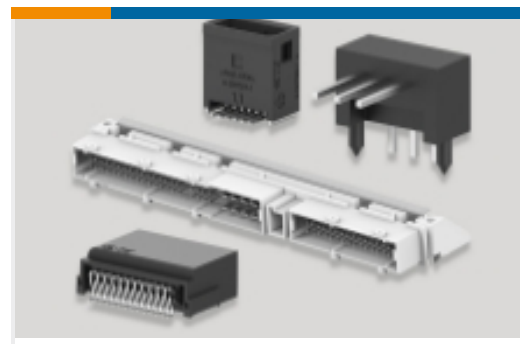
Compatible Parts



Also in the Series | **EI Series**



Insertion & Extraction Tools(1)

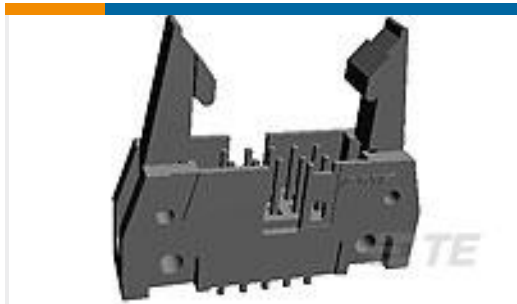


PCB Headers & Receptacles(4)



Wire-to-Board Connector Contacts(1)

Customers Also Bought



TE Part #5499160-4
A/L UNIV HDR 20P VERT SHT LAT



TE Part #1934222-1
Tin Man Recept Assy 4Pair8Column



TE Part #160927-4
FF 250 REC 1.0-2.5MM2 TPPB



TE Part #2213763-1
AV19 SPM 5A NO LED



TE Part #1-1904045-1
V23333Z0001A007-EV-100



TE Part #1934225-1
Tin Man Recept Assy 4 Pair 16 Column



TE Part #CSI-SGFI-200-UFFR
SMA to U.FL/MHF1 200mm 1.13 OD

Documents

Product Drawings

EI EXT TOOL

English

Instruction Sheets

Instruction Sheet (non U.S.)

English

Extraction Tool For AMP EI Series Cap Housing

English