

715131-1 ✓ ACTIVE

AMP | Multilock Connector System

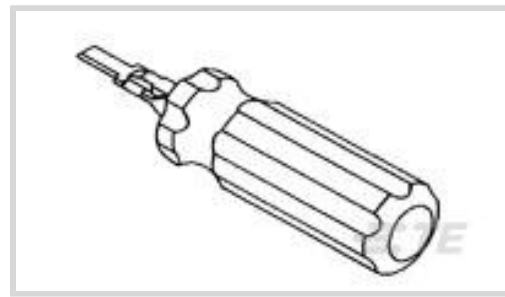
TE Internal #: 715131-1

Insertion & Extraction Tools, Contact Extraction, Contact-to-Housing, Multilock Connector System

[View on TE.com >](#)



Application Tooling > Insertion & Extraction Tools



Insertion & Extraction Tool Type: **Contact Extraction**

Insertion & Extraction Tool Application: **Contact-to-Housing**

## Features

### Product Type Features

Insertion & Extraction Tool Type	Contact Extraction
Insertion & Extraction Tool Application	Contact-to-Housing

## Product Compliance

[For compliance documentation, visit the product page on TE.com>](#)

EU RoHS Directive 2011/65/EU	Out of Scope
EU ELV Directive 2000/53/EC	Out of Scope
China RoHS 2 Directive MIIT Order No 32, 2016	Not reviewed for China RoHS compliance
EU REACH Regulation (EC) No. 1907/2006	Current ECHA Candidate List: JUNE 2023 (235) Candidate List Declared Against: JAN 2021 (211) Does not contain REACH SVHC
Halogen Content	Low Halogen - Br, Cl, F, I < 900 ppm per homogenous material. Also BFR/CFR/PVC Free
Solder Process Capability	Not applicable for solder process capability

### Product Compliance Disclaimer

This information is provided based on reasonable inquiry of our suppliers and represents our current actual knowledge based on the information they provided. This information is subject to change. The part numbers that TE has identified as EU RoHS compliant have a maximum concentration of 0.1% by weight in homogenous materials for lead, hexavalent chromium, mercury, PBB, PBDE, DBP, BBP, DEHP, DIBP, and 0.01% for cadmium, or qualify for an exemption to these limits as defined in the Annexes of Directive 2011/65/EU (RoHS2). Finished electrical and electronic equipment products will be CE marked as required by Directive 2011/65/EU. Components may not be CE marked. Additionally, the part numbers that TE has identified as EU ELV compliant have a maximum concentration of 0.1% by weight in homogenous materials for lead, hexavalent chromium, and mercury, and 0.01% for cadmium, or qualify for an exemption to these limits as defined in the Annexes of Directive 2000/53/EC (ELV). Regarding the REACH Regulation, the information TE provides on SVHC in articles for this part number is based on the latest European Chemicals Agency (ECHA) 'Guidance on

requirements for substances in articles' posted at this URL: <https://echa.europa.eu/guidance-documents/guidance-on-reach>

## Compatible Parts



TE Part # CAT-M9194-T273  
MULTILOCK, RECEPTACLE AND TAB

TE Part # 175266-3  
040 REC CONT SHORT GOLD

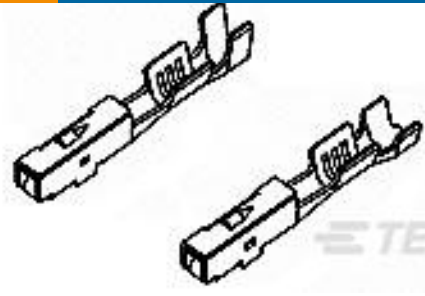
TE Part # 175266-4  
040 REC CONT SHORT BLANK

TE Part # 175266-5  
040 REC CONTACT AS

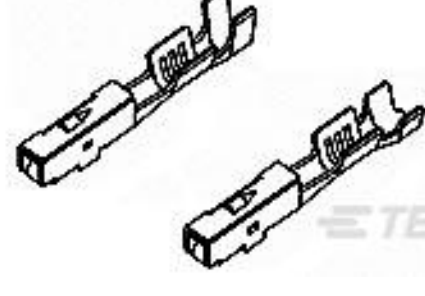
TE Part # 175266-6  
040 REC CONTACT GOLD

TE Part # 175266-8  
040 REC CONT GOLD/TIN-LEAD

TE Part # 175271-4  
040 TAB CONTACT S 22-18 AS



TE Part # 179418-2  
PMC 040 REC S L/P




TE Part # 175266-7  
040 REC CONT. SHORT FORM




TE Part # 175271-3  
040 TAB CONTACT 22-18 GOLD

TE Part # 1-175265-1  
.040 S REC. PRE-TIN

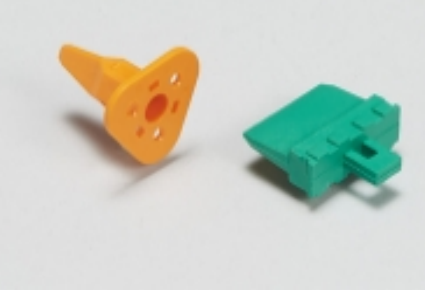
## Also in the Series | Multilock Connector System




Automotive Connector Caps & Covers  
(17)



Automotive Connector EMC Shielding  
(1)



Automotive Connector Locks & Position Assurance  
(2)



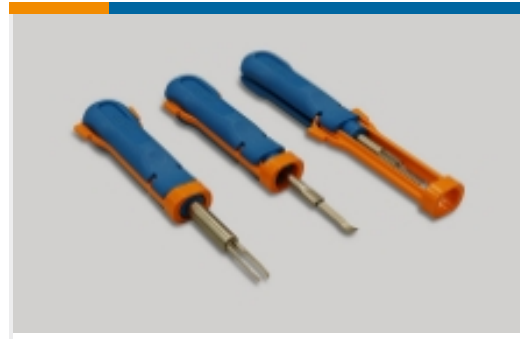
Automotive Housings(603)



Automotive Terminals(141)



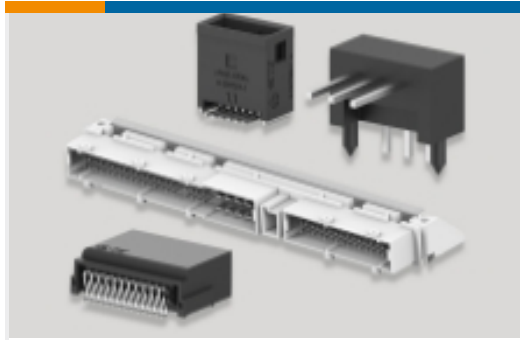
Connector Seals & Cavity Plugs(2)



Insertion & Extraction Tools(6)



Other Automotive Connector Accessories(14)



PCB Headers & Receptacles(142)

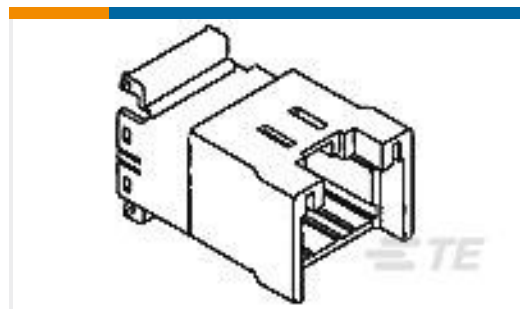
## Customers Also Bought



TE Part #2-963217-1  
16 J-P-T GEH KOMPL



TE Part #0462-201-20141  
SOC, SOLID, SIZE 20, 20AWG, NI



TE Part #174058-2  
040 MULTILOCK CAP 12P



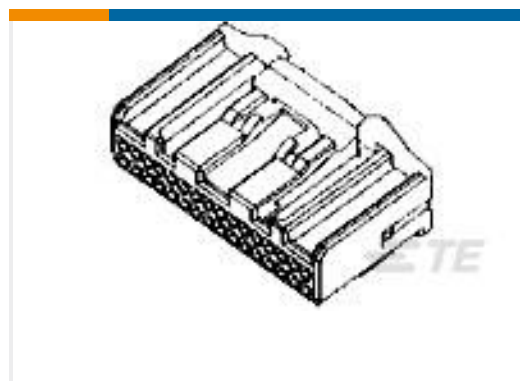
TE Part #5-160446-2  
FF 250 REC 1.0-2.5MM2 TPPB



TE Part #160451-3  
FF 250 TAB 18-14AWG PB SILVER PL LP



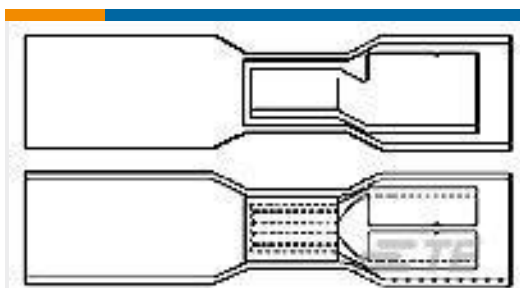
TE Part #1625890-8  
2W SM M/OX 5% 120R



TE Part #1318747-1  
025 ECU PLUG HSG ASSY 32P



TE Part #1-2303812-1  
DT04-2P-TE31, REC, 2P, GRY, E, SNAPCAP



TE Part #126563-000  
B-106-8401



TE Part #58522-1  
PRO-CRMPR II TOOL & DIE

## Documents



**Product Drawings**

**EXTRACTION TOOL**

Japanese

---

**Instruction Sheets**

**INSTRUCTION SHEET, EXTRACTION TOOL FOR IMPULMATE CONNECTOR, P/N: 715131-1**

English

**Instruction Sheet (non U.S.)**

English