

# FCB-405-0617M ✓ ACTIVE

CII | CII FCB-405 Series

TE Internal #: 7-1617760-7

Mid-Range Relays, 4 Form C, 4PDT, 4 C/O, Coil Suppression

Diode, Tin-Lead Terminal Plating, 5 A, 28 VDC Coil Voltage, CII

FCB-405 Series

[View on TE.com >](#)



Relays, Contactors & Switches > Relays > Mil-Aero Relays > Mid-Range Relays



Mid-Range Relay Contact Arrangement: **4 Form C, 4PDT, 4 C/O**

Coil Suppression Diode: **With**

Auxiliary Contacts: **Without**

Terminal Plating: **Tin-Lead**

Mid-Range Relay Contact Current Rating: **5 A**

## Features

### Product Type Features

Enclosure Type	Hermetically Sealed
Terminal Configuration	Solder Pins
Product Type	Relay
Relay Type	Military/Aerospace Mid-Range

### Electrical Characteristics

Vibration	30G's, 70 – 3000Hz
Shock	200G's, 6ms
Coil Suppression Diode	With
Mid-Range Relay Coil Voltage Rating	28 VDC
Mid-Range Relay Coil Resistance	400 $\Omega$
Back EMF Suppression	With
Coil Magnetic System	Polarized, Monostable
Actuating System	DC

### Contact Features

Mid-Range Relay Contact Arrangement	4 Form C, 4PDT, 4 C/O
Auxiliary Contacts	Without
Terminal Plating	Tin-Lead



Mid-Range Relay Contact Current Rating	5 A
--	-----

Contact Base Material	Silver Cadmium Oxide
-----------------------	----------------------

### Mechanical Attachment

Mid-Range Relay Mounting Type	No Brackets
-------------------------------	-------------

### Usage Conditions

Operating Temperature Range	-70 – 125 °C
-----------------------------	--------------

## Product Compliance

[For compliance documentation, visit the product page on TE.com>](#)

EU RoHS Directive 2011/65/EU	Not Compliant
------------------------------	---------------

EU ELV Directive 2000/53/EC	Not Compliant
-----------------------------	---------------

China RoHS 2 Directive MIIT Order No 32, 2016	Restricted Materials Above Threshold
---	--------------------------------------

EU REACH Regulation (EC) No. 1907/2006	Current ECHA Candidate List: JUNE 2023 (235) Candidate List Declared Against: JUL 2021 (219) Does not contain REACH SVHC
--	--

Halogen Content	Low Halogen - Br, Cl, F, I < 900 ppm per homogenous material. Also BFR/CFR/PVC Free
-----------------	---

Solder Process Capability	Not applicable for solder process capability
---------------------------	--

#### Product Compliance Disclaimer

This information is provided based on reasonable inquiry of our suppliers and represents our current actual knowledge based on the information they provided. This information is subject to change. The part numbers that TE has identified as EU RoHS compliant have a maximum concentration of 0.1% by weight in homogenous materials for lead, hexavalent chromium, mercury, PBB, PBDE, DBP, BBP, DEHP, DIBP, and 0.01% for cadmium, or qualify for an exemption to these limits as defined in the Annexes of Directive 2011/65/EU (RoHS2). Finished electrical and electronic equipment products will be CE marked as required by Directive 2011/65/EU. Components may not be CE marked. Additionally, the part numbers that TE has identified as EU ELV compliant have a maximum concentration of 0.1% by weight in homogenous materials for lead, hexavalent chromium, and mercury, and 0.01% for cadmium, or qualify for an exemption to these limits as defined in the Annexes of Directive 2000/53/EC (ELV). Regarding the REACH Regulation, the information TE provides on SVHC in articles for this part number is based on the latest European Chemicals Agency (ECHA) 'Guidance on requirements for substances in articles' posted at this URL: <https://echa.europa.eu/guidance-documents/guidance-on-reach>

## Compatible Parts



TE Part # 4-1617758-7  
FCB-205-0222M=M83536/2-022M



TE Part # 3-1617758-2  
FCB-205-0123M=M83536/1-023M



TE Part # 7-1617758-7  
FCB-205-BZ2



TE Part # 8-1617758-4  
FCB-205-CY4



TE Part # 1-1617785-3  
FCB-205-0133M=M83536/1-033M



TE Part # 1-1617785-9  
FCB-205-0136M=M83536/1-036M



TE Part # 1617785-6  
FCB-205-0130L=M83536/1-030L



TE Part # 2-1617786-6  
FCB-205-0203M=M83536/2-003M



TE Part # 3-1617786-4  
FCB-205-0208L=M83536/2-008L



TE Part # 4-1617786-0  
FCB-205-0212L=M83536/2-012L



TE Part # 5-1617786-6  
FCB-205-0225L=M83536/2-025L



TE Part # 6-1617784-2  
FCB-205-0101M=M83536/1-001M



TE Part # 6-1617786-4  
FCB-205-0232L=M83536/2-032L



TE Part # 7-1617784-3  
FCB-205-0107M=M83536/1-007M



TE Part # 7-1617784-9  
FCB-205-0111L=M83536/1-011L



TE Part # 7-1617786-5  
FCB-205-0237M=M83536/2-037M



TE Part # 8-1617784-0  
FCB-205-0111M=M83536/1-011M



TE Part # 8-1617784-6  
FCB-205-0114M=M83536/1-014M



TE Part # 9-1617784-1  
FCB-205-0117L=M83536/1-017L



TE Part # 9-1617784-7  
FCB-205-0121L=M83536/1-021L

Also in the Series | **CII FCB-405 Series**



Mid-Range Relays(22)

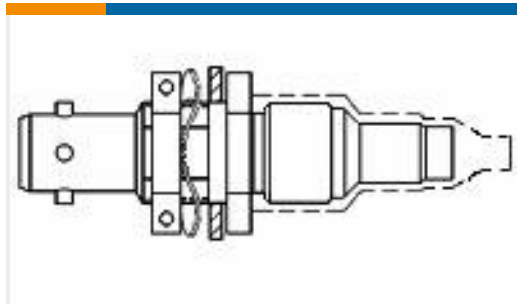
## Customers Also Bought



TE Part #5352152-1  
Z-PACK/B22 RAF 110P



TE Part #8-53408-1  
PIDG PVF2 R 22-16COM22-18MIL 8



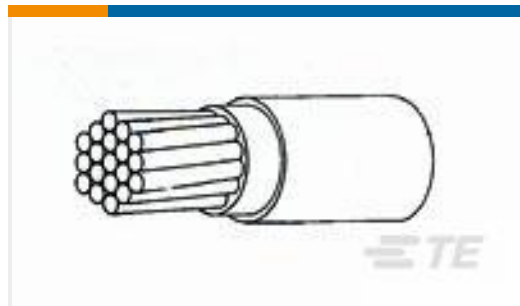
TE Part #143981-000  
DK-621-0434-1S



TE Part #3-644894-3  
03P CST100 SHRD HDR ASSY LF



TE Part #3-1617118-1  
J1MACDD-26XM = M39016/24-030M



TE Part #2820963001  
44A0211-22-9



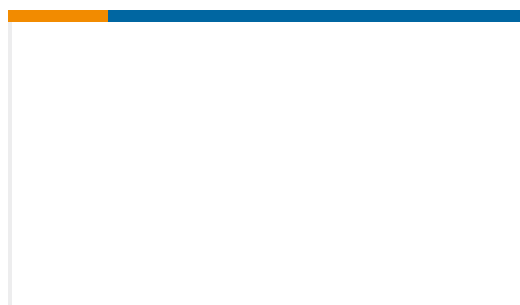
TE Part #2-1445097-2  
MICRO MNL HDR ASSY S/ROW AU LF



TE Part #9-1617748-1  
FCA-210-0917M=M83536/9-017M



TE Part #5-1437470-3  
SSC12ACA=120V 50/60HZ 1/30 SEC



TE Part #ZPF0000000000001985  
182-0456-20

## Documents

### Product Drawings

[FCB-405-0617M=M83536/6-017M](#)

English

### CAD Files

[3D PDF](#)

[3D](#)

[Customer View Model](#)

[ENG\\_CVM\\_CVM\\_7-1617760-7\\_C.2d\\_dxf.zip](#)



English

**Customer View Model**

[ENG\\_CVM\\_CVM\\_7-1617760-7\\_C.3d\\_igs.zip](#)

English

**Customer View Model**

[ENG\\_CVM\\_CVM\\_7-1617760-7\\_C.3d\\_stp.zip](#)

English

By downloading the CAD file I accept and agree to the [Terms and Conditions](#) of use.

**Datasheets & Catalog Pages**

[5-1773450-5\\_sec5\\_FCB-405](#)

English