

# 12HPENS1-NG ✓ ACTIVE

Corcom | Corcom HP

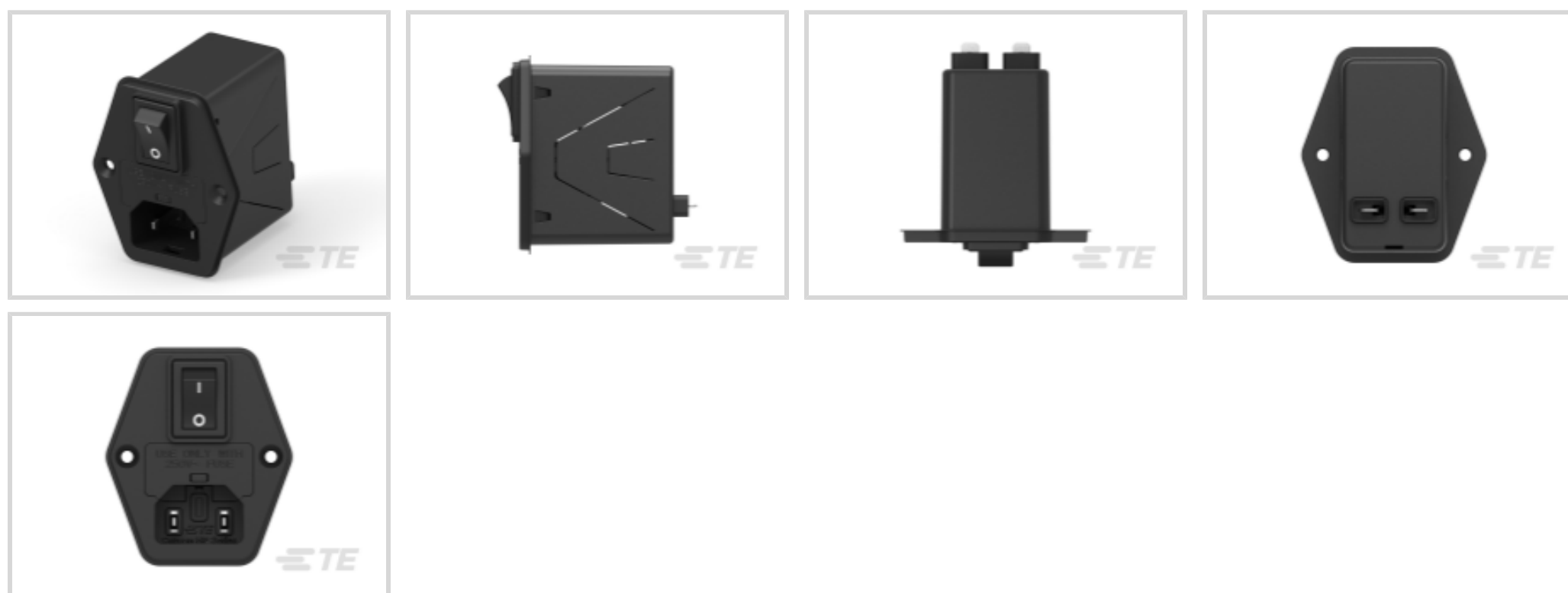
TE Internal #: 7-1609158-3

Multi-Function Inlet Filters, Power Entry Module, None Input, DPST, Complete Shield, Locking Socket & Shrouded Output, 2 MOOP, Vertical, Corcom HP

[View on TE.com >](#)



EMI & EMC Solutions > EMI Filters > Multi-Function Inlet Filters



Filter Type: **Power Entry Module**

Input Voltage Selection: **None**

Filter Switch Type: **DPST**

Filter Shield Type: **Complete Shield**

Filter Safety Features: **Locking Socket & Shrouded Output**

## Features

### Product Type Features

Ground Choke Option	No
Level Of Filtering	Inductor & Capacitor
Filter Type	Power Entry Module
Filter Switch Type	DPST
Output Termination Type	.187" FASTON
Filtering Requirements	Filtered
Filter Connector Type	IEC 60320-1 C-18

### Configuration Features

Fuse Options	Single
--------------	--------

### Electrical Characteristics

Input Voltage Selection	None
Leakage Current (Max) (120VAC, 60Hz)	3 $\mu$ A
Leakage Current (Max) (250VAC, 50Hz)	5 $\mu$ A
Current Rating	12 A



Operating Voltage	250 VAC
-------------------	---------

### Body Features

Filter Shield Type	Complete Shield
--------------------	-----------------

Product Orientation	Vertical
---------------------	----------

### Mechanical Attachment

Panel Mount Feature Type	Mounting Ears (Vertical)
--------------------------	--------------------------

### Dimensions

Panel Thickness (Recommended)	1 – 2 mm [.039 – .079 in]
-------------------------------	---------------------------

### Usage Conditions

Operating Temperature Range	-40 – 40 °C
-----------------------------	-------------

### Operation/Application

Filter Safety Features	Locking Socket & Shrouded Output
------------------------	----------------------------------

Filter Mode of Operation	2 MOOP
--------------------------	--------

### Industry Standards

Agency/Standard	UL
-----------------	----

### Other

EMI Filters Comment	Limit fault current to 12 A at 40C. Use low-leakage power cord.
---------------------	---

## Product Compliance

[For compliance documentation, visit the product page on TE.com>](#)

EU RoHS Directive 2011/65/EU	Compliant
------------------------------	-----------

EU ELV Directive 2000/53/EC	Compliant
-----------------------------	-----------

China RoHS 2 Directive MIIT Order No 32, 2016	No Restricted Materials Above Threshold
---	---

EU REACH Regulation (EC) No. 1907/2006	Current ECHA Candidate List: JUNE 2023 (235) Candidate List Declared Against: JUNE 2023 (235) Does not contain REACH SVHC
--	---

Halogen Content	Not Yet Reviewed for halogen content
-----------------	--------------------------------------

Solder Process Capability	Not applicable for solder process capability
---------------------------	--

#### Product Compliance Disclaimer

This information is provided based on reasonable inquiry of our suppliers and represents our current actual knowledge based on the information they provided. This information is subject to change. The part numbers that TE has identified as

EU RoHS compliant have a maximum concentration of 0.1% by weight in homogenous materials for lead, hexavalent chromium, mercury, PBB, PBDE, DBP, BBP, DEHP, DIBP, and 0.01% for cadmium, or qualify for an exemption to these limits as defined in the Annexes of Directive 2011/65/EU (RoHS2). Finished electrical and electronic equipment products will be CE marked as required by Directive 2011/65/EU. Components may not be CE marked. Additionally, the part numbers that TE has identified as EU ELV compliant have a maximum concentration of 0.1% by weight in homogenous materials for lead, hexavalent chromium, and mercury, and 0.01% for cadmium, or qualify for an exemption to these limits as defined in the Annexes of Directive 2000/53/EC (ELV). Regarding the REACH Regulation, the information TE provides on SVHC in articles for this part number is based on the latest European Chemicals Agency (ECHA) 'Guidance on requirements for substances in articles' posted at this URL: <https://echa.europa.eu/guidance-documents/guidance-on-reach>

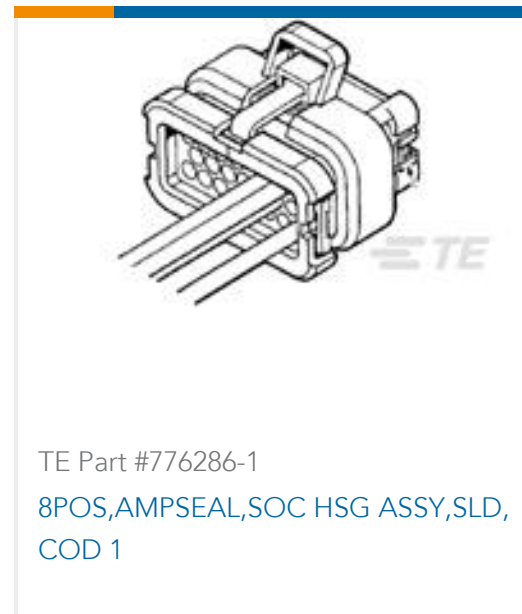
## Compatible Parts



## Also in the Series | Corcom HP



## Customers Also Bought





## Documents

### Product Drawings

[12HPENS1-NG=F8539](#)

English

### CAD Files

[3D PDF](#)

3D

Customer View Model

[ENG\\_CVM\\_CVM\\_7-1609158-3\\_1.2d\\_dxf.zip](#)

English

Customer View Model

[ENG\\_CVM\\_CVM\\_7-1609158-3\\_1.3d\\_igs.zip](#)

English

Customer View Model

[ENG\\_CVM\\_CVM\\_7-1609158-3\\_1.3d\\_stp.zip](#)

English

By downloading the CAD file I accept and agree to the [Terms and Conditions](#) of use.

### Datasheets & Catalog Pages

[HP SERIES EMI FILTERS](#)

English

[Corcom HP series EMI PEM Filters](#)

English

### Agency Approvals

[UL](#)

English